

INDIRECT ACTING SOLENOID VALVES
ÉLECTROVANNES A COMMANDE INDIRECTE
ELETTROVALVOLE AD AZIONAMENTO INDIRETTO

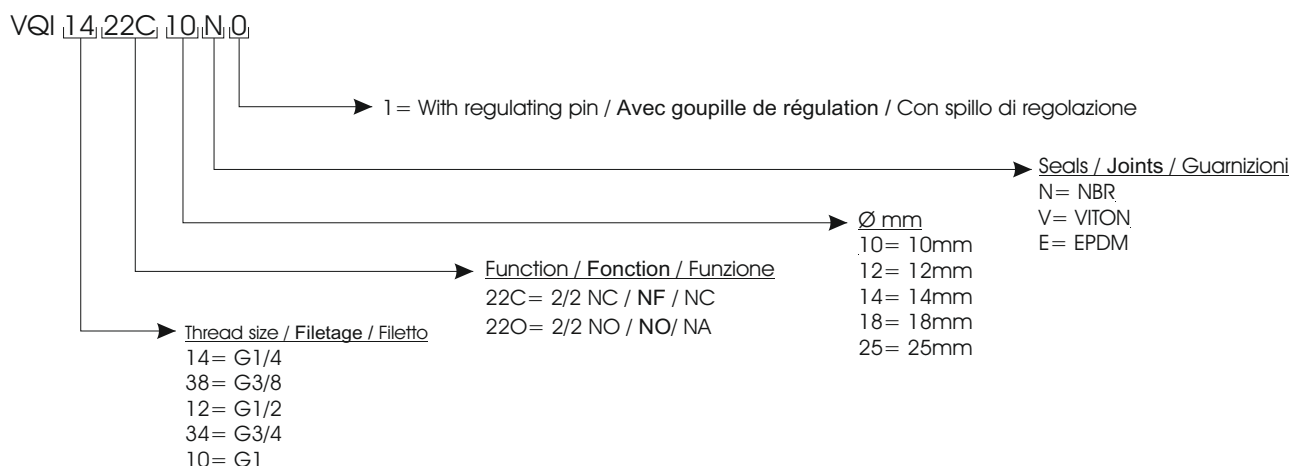


VQ indirect electrovalves, are particularly suitable to control water, air, inert gas, steam and for all fluids in general (not aggressive).
The extremely compact brass body, gives to them the possibility to be used in very small places. They're available in different versions as 2/2, 3/2 NC and NO and with NBR, Viton or EPDM seals.

Les électrovannes de la série VQ avec le command indirect sont particulièrement appropriés pour contrôler l'eau, l'aire, le gaz inerte, la vapeur d'eau et tous les fluides généralement non agressifs. Le corps en laiton est compact et permet une utilisation dans des espaces confinés. Sont disponibles plusieurs versions comme 2/2, 3/2 NC et NO et joints en NBR, Viton ou EPDM.

Le elettrovalvole della serie VQ a comando indiretto sono particolarmente indicate per il controllo di acqua, aria, gas inerti, vapore e in generale di fluidi non aggressivi. Il corpo in ottone estremamente compatto ne permettono l'utilizzo in spazi molto ristretti. Sono disponibili diverse versioni tra cui 2/2 e 3/2 NC e NA e guarnizioni in NBR, Viton e EPDM.

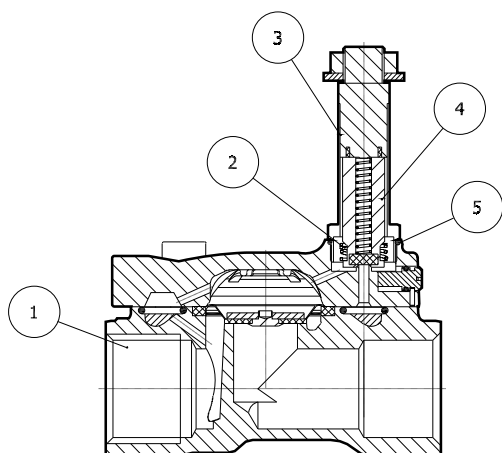
ORDERING CODE / CODIFICATION / CHIAVE DI CODIFICA



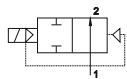
TECHNICAL CHARACTERISTICS / CARACTÉRISTIQUES TECHNIQUES / CARATTERISTICHE TECNICHE

Max. allowable pressure / Pression de service max./ Pressione massima ammissibile	20 bar
Temperature range / Température d'utilisation / Temperatura di utilizzo	-10 °C +80°C
NBR Air, inert gas, water max 75 °C, mineral oils, gas oil, fuel oils Aria, gas neutres, eau max. 75°C, huiles minerales, diesel, mazout Aria, gas inerti, acqua max 75 °C, oli minerali, gasolio, oli combustibili	-10°C +90°C
VITON Mineral oils, gasoline, gas oil, fuel oils Huiles minerales, essence, mazout Oli minerali, benzina, oli combustibili	-10°C +140°C
EPDM Hot water, steam (max pressure 2.5 bar) Eau chaude, vapeur (Pression de service max 2.5bar) Acqua calda, vapore (pressione max 2.5 bar)	-10°C +140°C

COMPONENTS / COMPOSANTS / COMPONENTI

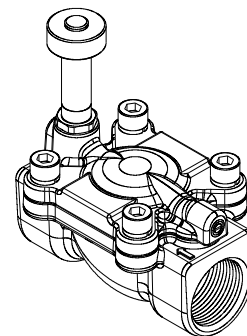
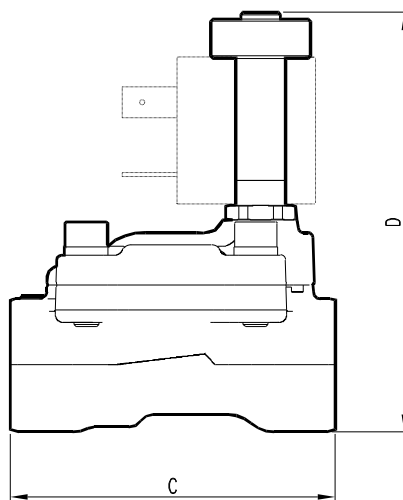
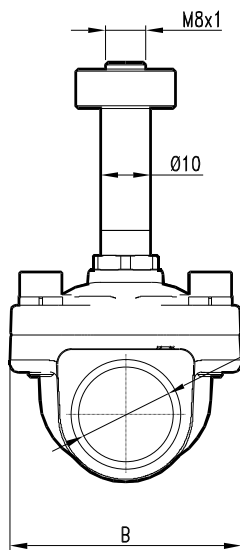


pos.	description / description / descrizione	material / matériel / materiale
1	Body / Corps / Corpo	Brass / Laiton / Ottone
2	Springs / Ressort / Molle	Stainless Steel / Acier inox / Acciaio inox
3	Armature tube / Tube de pilotage / Tubo guida	Stainless Steel / Acier inox / Acciaio inox
4	Core / Noyau / Nucleo	Stainless Steel / Acier inox / Acciaio inox
5	Seals / Joints / Guarnizioni	NBR - EPDM - FKM

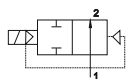


2/2 NO / NO / NA

Code Code Codice	Seals Joints Guarnizioni	Thread size Filetage Filetto	Ø mm	Viscosity (Max cSt) Viscosité (Max cSt) Viscosità (Max cSt)	Kv m³/h
VQI1422O10N	NBR	1/4	10	25	1.88
VQI1422O10V	FKM	1/4	10	25	1.88
VQI1422O10E	EPDM	1/4	10	25	1.88
VQI3822O12N	NBR	3/8	12	25	2.90
VQI3822O12V	FKM	3/8	12	25	2.90
VQI3822O12E	EPDM	3/8	12	25	2.90
VQI3822O14N	NBR	3/8	14	25	3.32
VQI3822O14V	FKM	3/8	14	25	3.32
VQI3822O14E	EPDM	3/8	14	25	3.32
VQI1222O12N	NBR	1/2	12	25	3.03
VQI1222O12V	FKM	1/2	12	25	3.03
VQI1222O12E	EPDM	1/2	12	25	3.03
VQI1222O14N	NBR	1/2	14	25	3.53
VQI1222O14V	FKM	1/2	14	25	3.53
VQI1222O14E	EPDM	1/2	14	25	3.53
VQI3422O18N	NBR	3/4	18	25	5.56
VQI3422O18V	FKM	3/4	18	25	5.56
VQI3422O18E	EPDM	3/4	18	25	5.56
VQI1022O25N	NBR	1	25	25	10.97
VQI1022O25V	FKM	1	25	25	10.97
VQI1022O25E	EPDM	1	25	25	10.97

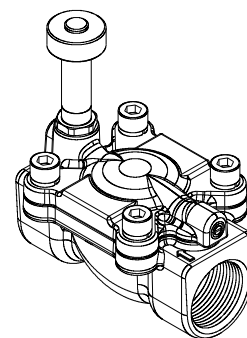
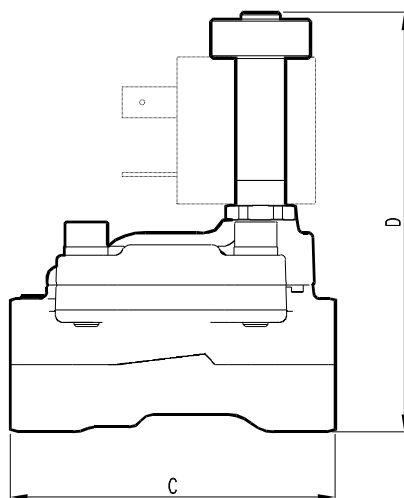
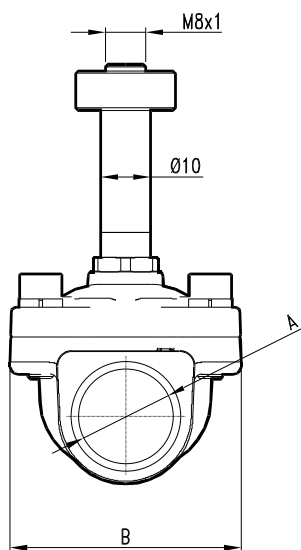


Size / Taille / Taglia	A	B	C	D
1/4"	G 1/4	35.2	55.5	76.6
3/8"	G 3/8	46.4	65.3	84.2
1/2"	G 1/2	46.4	65.3	84.2
3/4"	G 3/4	56.7	81	95
1"	G 1	65	95	101.1

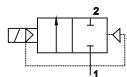


2/2 NO WITH MANUAL OVERRIGE AND REGULATING PIN / 2/2 NO AVEC COMMANDE MANUELLE ET GOUPILLE DE
REGLAGE / 2/2 NA CON COMANDO MANUALE E SPILLO DI REGOLAZIONE

Code Code Codice	Seals Joints Guarnizioni	Thread size Filetage Filetto	Ø mm	Viscosity (Max cSt) Viscosité (Max cSt) Viscosità (Max cSt)	Kv m ³ /h
VQI3422O18N1	NBR	3/4	18	25	5.56
VQI3422O18V1	FKM	3/4	18	25	5.56
VQI3422O18E1	EPDM	3/4	18	25	5.56
VQI1022O25N1	NBR	1	25	25	10.97
VQI1022O25V1	FKM	1	25	25	10.97
VQI1022O25E1	EPDM	1	25	25	10.97

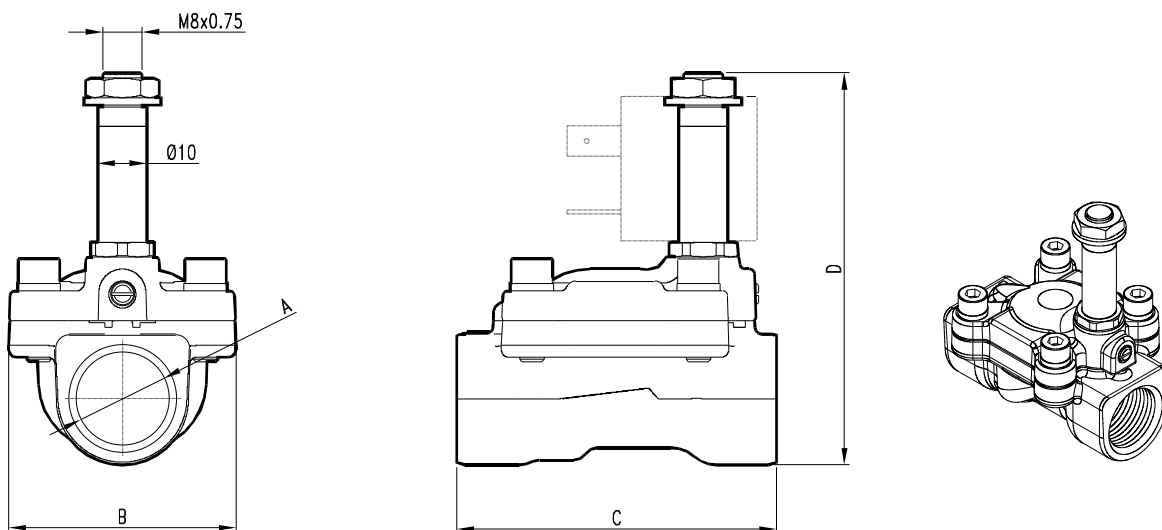


Size / Taille / Taglia	A	B	C	D
1/4"	G 1/4	35.2	55.5	76.6
3/8"	G 3/8	46.4	65.3	84.2
1/2"	G 1/2	46.4	65.3	84.2
3/4"	G 3/4	56.7	81	95
1"	G 1	65	95	101.1

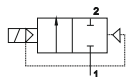


2/2 NC WITH MANUAL OVERRIGE / 2/2 NF AVEC COMMANDE MANUELLE / 2/2 NC CON COMANDO MANUALE

Code Code Codice	Seals Joints Guarnizioni	Thread size Filetage Filetto	Ø mm	Viscosity (Max cSt) Viscosité (Max cSt) Viscosità (Max cSt)	Kv m ³ /h
VQI1422C10N	NBR	1/4	10	25	1.88
VQI1422C10V	FKM	1/4	10	25	1.88
VQI1422C10E	EPDM	1/4	10	25	1.88
VQI3822C12N	NBR	3/8	12	25	2.90
VQI3822C12V	FKM	3/8	12	25	2.90
VQI3822C12E	EPDM	3/8	12	25	2.90
VQI3822C14N	NBR	3/8	14	25	3.32
VQI3822C14V	FKM	3/8	14	25	3.32
VQI3822C14E	EPDM	3/8	14	25	3.32
VQI1222C12N	NBR	1/2	12	25	3.03
VQI1222C12V	FKM	1/2	12	25	3.03
VQI1222C12E	EPDM	1/2	12	25	3.03
VQI1222C14N	NBR	1/2	14	25	3.53
VQI1222C14V	FKM	1/2	14	25	3.53
VQI1222C14E	EPDM	1/2	14	25	3.53
VQI3422C18N	NBR	3/4	18	25	5.56
VQI3422C18V	FKM	3/4	18	25	5.56
VQI3422C18E	EPDM	3/4	18	25	5.56
VQI1022C25N	NBR	1	25	25	10.97
VQI1022C25V	FKM	1	25	25	10.97
VQI1022C25E	EPDM	1	25	25	10.97

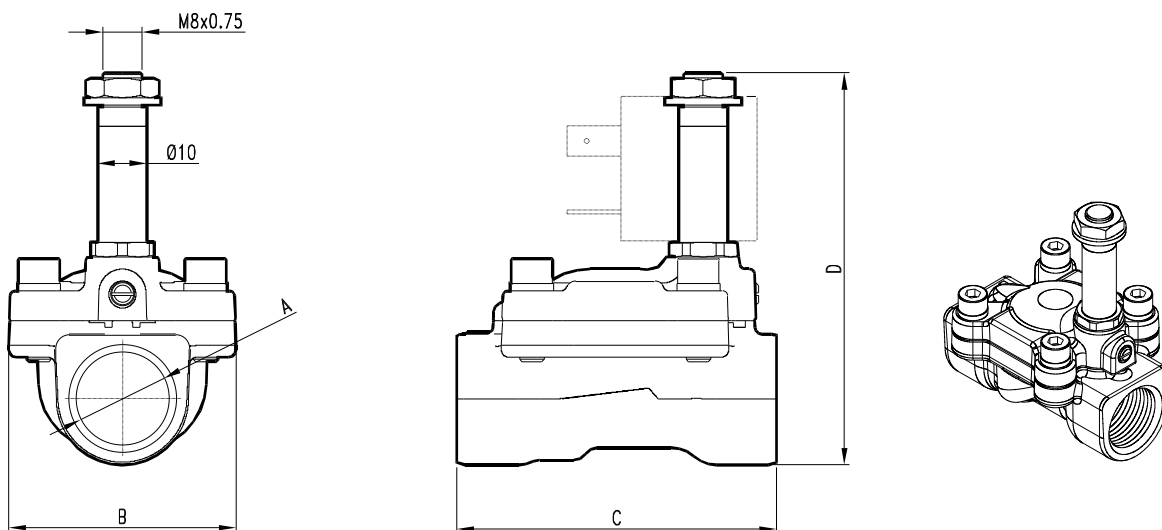


Size / Taille / Taglia	A	B	C	D
1/4"	G 1/4	35.2	55.5	72.5
3/8"	G 3/8	46.4	65.3	80.1
1/2"	G 1/2	46.4	65.3	80.1
3/4"	G 3/4	56.7	81	90.9
1"	G 1	65	95	97

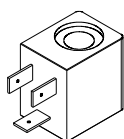
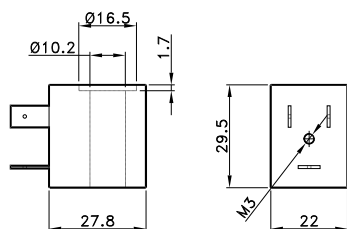


2/2 NC WITH MANUAL OVERRIGE AND REGULATING PIN / 2/2 NF AVEC COMMANDE MANUELLE ET GOUPILLE DE REGLAGE / 2/2 NC CON COMANDO MANUALE E SPILLO DI REGOLAZIONE

Code Code Codice	Seals Joints Guarnizioni	Thread size Filetage Filetto	Ø mm	Viscosity (Max cSt) Viscosité (Max cSt) Viscosità (Max cSt)	Kv m ³ /h
VQI3422C18N1	NBR	3/4	18	25	5.56
VQI3422C18V1	FKM	3/4	18	25	5.56
VQI3422C18E1	EPDM	3/4	18	25	5.56
VQI1022C25N1	NBR	1	25	25	10.97
VQI1022C25V1	FKM	1	25	25	10.97
VQI1022C25E1	EPDM	1	25	25	10.97



Size / Taille / Taglia	A	B	C	D
1/4"	G 1/4	35.2	55.5	72.5
3/8"	G 3/8	46.4	65.3	80.1
1/2"	G 1/2	46.4	65.3	80.1
3/4"	G 3/4	56.7	81	90.9
1"	G 1	65	95	97

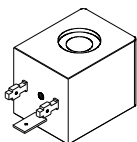
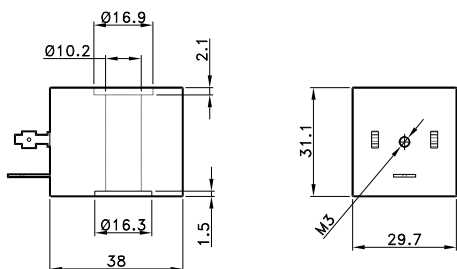


COILS 22 mm / BOBINE 22 mm / BOBINE 22 mm

CODE	power / absorption / assorbimento	
	Tension	Power
	Tensione	Puissance
	Tensione	Potenza
BO4051012	12 V DC	6,5 W
BO4051024	24 V DC	6,5 W
BO4052024	24 V AC	7,5 VA
BO4052110	110 V AC	7,5 VA
BO4052220	220 V AC	7,5 VA

TECHNICAL SPECIFICATIONS / CARACTERISTIQUES TECHNIQUES
CARATTERISTICHE TECNICHE

Tension tolerance / Tolérance tension / Tolleranza di tensione	+10%
Protection with connector / Protection avec connecteur / Protezione con connettore	IP65
Max working temperature / Température max d'utilisation / Temperatura max di esercizio	+50 C°
Duty cycle / Temps d'enclenchement / Inserimento	ED 100%

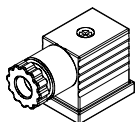
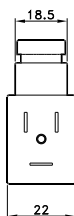
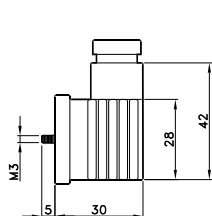


COILS 30 mm / BOBINE 30 mm / BOBINE 30 mm

CODE	power / absorption / assorbimento	
	Tension	Power
	Tensione	Puissance
	Tensione	Potenza
BO4061012	12 V DC	8 W
BO4061024	24 V DC	8 W
BO4062024	24 V AC	11 VA
BO4062110	110 V AC	11 VA
BO4062220	220 V AC	11 VA

TECHNICAL SPECIFICATIONS / CARACTERISTIQUES TECHNIQUES
CARATTERISTICHE TECNICHE

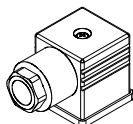
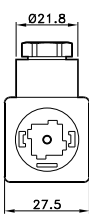
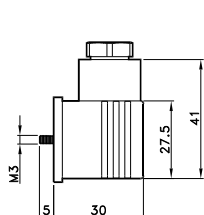
Tension tolerance / Tolérance tension / Tolleranza di tensione	+10%
Protection with connector / Protection avec connecteur / Protezione con connettore	IP65
Max working temperature / Température max d'utilisation / Temperatura max di esercizio	+50 C°
Duty cycle / Temps d'enclenchement / Inserimento	ED 100%



CONNECTORS 22 mm / CONNECTEUR 22 mm /
CONNETTORI 22 mm

CODE: AR40696

Cable diameter / Diamètre du câble / Diametro cavo
6÷8 mm (22mm)
8÷11mm (30mm)



CONNECTORS 30 mm / CONNECTEUR 30 mm /
CONNETTORI 30 mm

CODE: VX0027

Cable diameter / Diamètre du câble / Diametro cavo
6÷8 mm (22mm)
8÷11mm (30mm)