



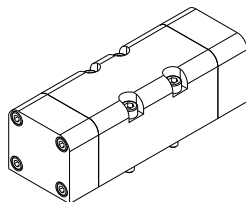
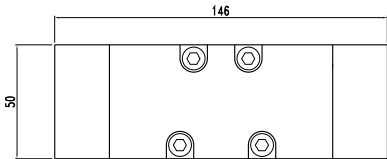
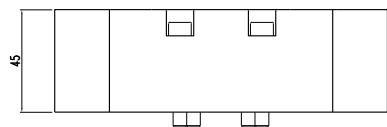
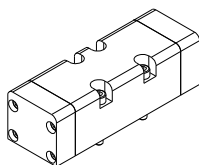
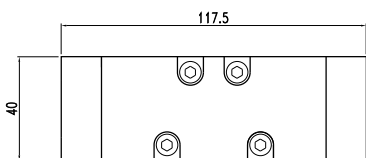
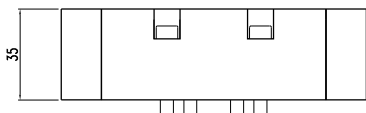
The VI Series complies with ISO 5599/1 norms. They are entirely made in aluminium in order to grant strength and long durability. They are available in ISO 1 and ISO 2 with different bases according to the different applications.

Le distributeur de la série VI norme 5599/1 est conçu entièrement en aluminium ce qui renforce sa robustesse et sa fiabilité. Disponible en taille ISO 1 et ISO 2, son montage est prévu sur embase avec différentes applications.

Le valvole della serie VI sono realizzate per rispondere alla normativa 5599/1. Costruzione interamente in alluminio per garantire solidità e lunga durata. Sono disponibili nella tagli ISO 1 e ISO 2 con diverse configurazioni di sottobasi.

TECHNICAL DATA / DONNEES TECHNIQUES / DATI TECNICI

Fluid / Fluide / Fluido	Lubricated or non lubricated air / Air lubrifié ou non / Aria con o senza lubrificazione	
Temperature range / Température d'utilisation / Temperatura di esercizio	-10° +60°C	
Actuating pressure / Pression d'alimentation / Pressione di azionamento		
Monostable / Monostable / Monostabile	2,5 - 10bar	
Bistable / Bistable / Bistabile	1 - 10bar	
	ISO 1	ISO 2
Nominal orifice / Diamètre nominal / Diametro nominale	7,5mm	9mm
Flow rate 6 bar Δp 1bar / Débit a 6 bar Δp 1bar / Portata a 6 bar Δp 1bar	1100 NI/min	2700 NI/min
TRR monostabile a 6bar / TRA / TRA	24ms / 50ms	39ms / 60ms
TRR monostabile a 6bar / TRA / TRA	80ms / 80ms	90ms / 90ms

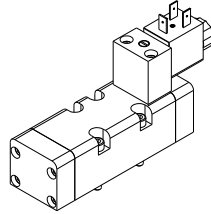
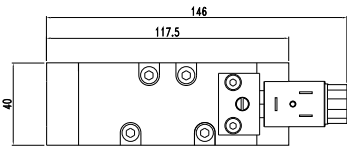
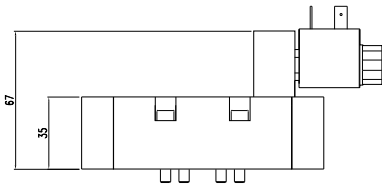


ISO 1  
PNEUMATIC PILOT / COMMANDE PNEU. / COMANDO PNEUMATICO

CODE: V1115010	5/2 monostable 5/2 monostable 5/2 monostabile	
CODE: V1115020	5/2 bistable 5/2 bistable 5/2 bistabile	
CODE: V1116021	5/3 closed centres 5/3 centre fermé 5/3 centri chiusi	
CODE: V1116022	5/3 open centres 5/3 centre ouvert 5/3 centri aperti	
CODE: V1116023	5/3 press.centres 5/3 centre en pression 5/3 centri in pressione	

ISO 2  
PNEUMATIC PILOT / COMMANDE PNEU. / COMANDO PNEUMATICO

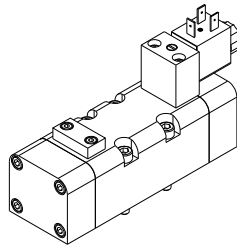
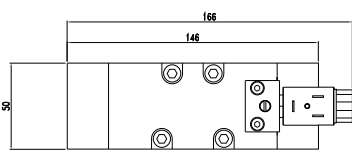
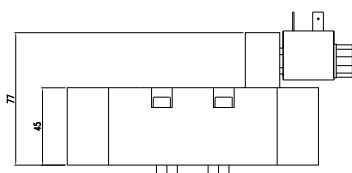
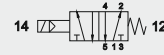
CODE: V1125010	5/2 monostable 5/2 monostable 5/2 monostabile	
CODE: V1125020	5/2 bistable 5/2 bistable 5/2 bistabile	
CODE: V1126021	5/3 closed centres 5/3 centre fermé 5/3 centri chiusi	
CODE: V1126022	5/3 open centres 5/3 centre ouvert 5/3 centri aperti	
CODE: V1126023	5/3 press.centres 5/3 centre en pression 5/3 centri in pressione	



ISO 1

5/2 monostable  
5/2 monostable  
5/2 monostabile

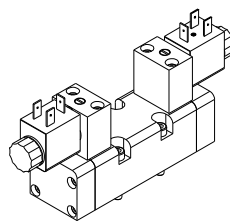
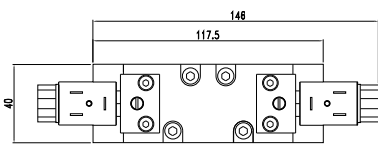
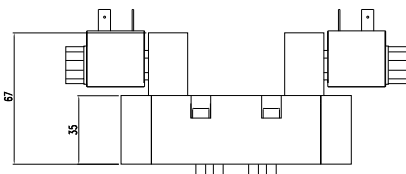
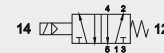
CODE: VI215030



ISO 2

5/2 monostable  
5/2 monostable  
5/2 monostabile

CODE: VI225030



ISO 1

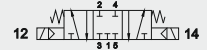
CODE: VI215040

5/2 bistable  
5/2 bistable  
5/2 bistabile



CODE: VI216041

5/3 closed centres  
5/3 centre fermé  
5/3 centri chiusi



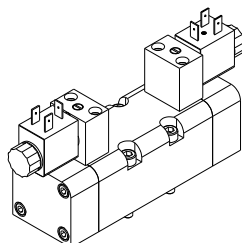
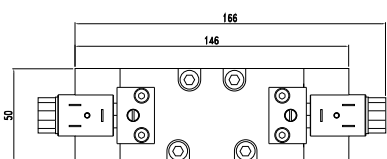
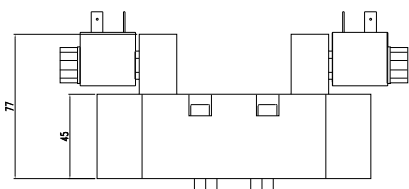
CODE: VI216042

5/3 open centres  
5/3 centre ouvert  
5/3 centri aperti



CODE: VI216043

5/3 press.centres  
5/3 centre en pression  
5/3 centri in pressione



ISO 2

CODE: VI225040

5/2 bistable  
5/2 bistable  
5/2 bistabile



CODE: VI226041

5/3 closed centres  
5/3 centre fermé  
5/3 centri chiusi



CODE: VI226042

5/3 open centres  
5/3 centre ouvert  
5/3 centri aperti



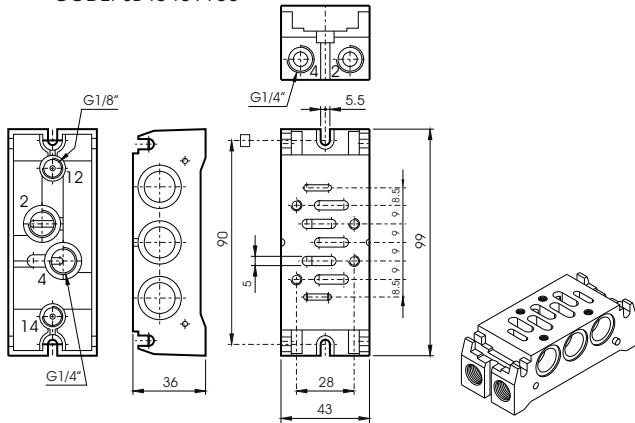
CODE: VI226043

5/3 press.centres  
5/3 centre en pression  
5/3 centri in pressione



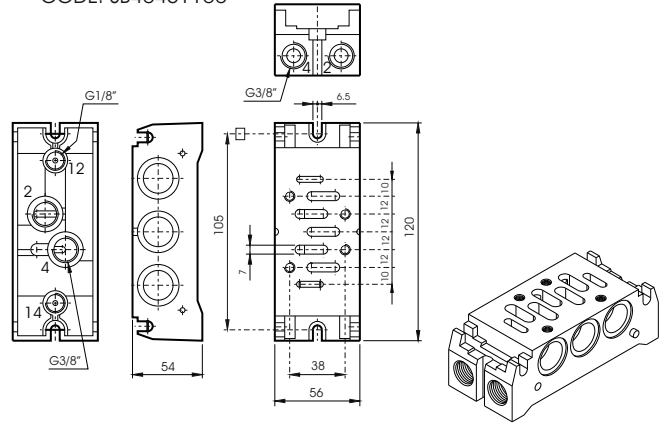
MODULAR SUB-BASE ISO 1  
EMBASE MODULAIRE ISO 1  
SOTTOBASE MODULARE ISO 1

CODE: SB40401100



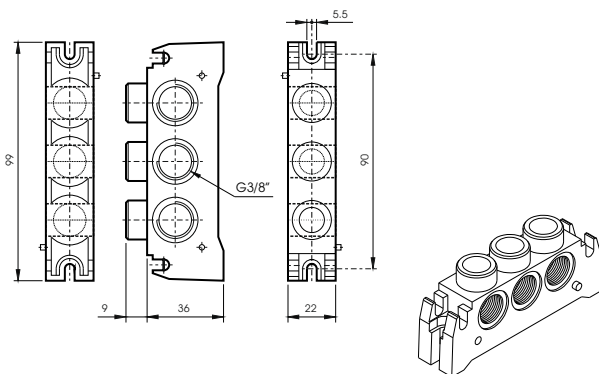
MODULAR SUB-BASE ISO 2  
EMBASE MODULAIRE ISO 2  
SOTTOBASE MODULARE ISO 2

CODE: SB40461100



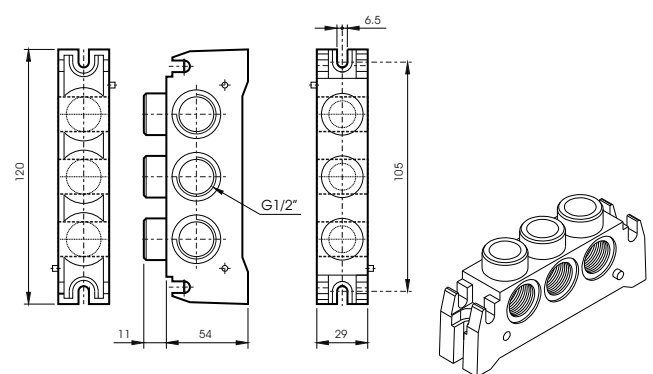
SIDE ENTRY HEADER ISO 1  
PLAQUE D'ENTREE EN AXE ISO 1  
TERMINALE DI INGRESSO IN ASSE ISO 1

CODE: SB40400001



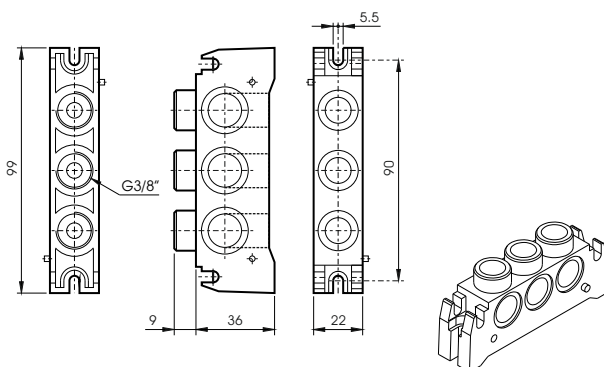
SIDE ENTRY HEADER ISO 2  
PLAQUE D'ENTREE EN AXE ISO 2  
TERMINALE DI INGRESSO IN ASSE ISO 2

CODE: SB40460001



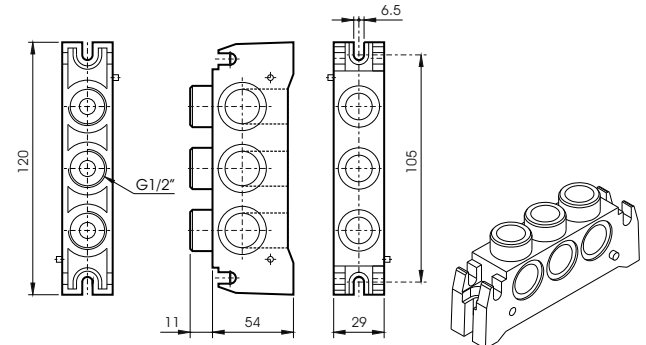
BOTTOM ENTRY HEADER ISO 1  
PLAQUE D'ENTREE INFERIEURE ISO 1  
TERMINALE DI INGRESSO INFERIORE ISO 1

CODE: SB40400003



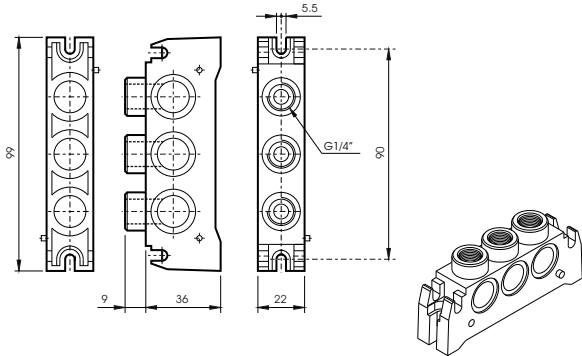
BOTTOM ENTRY HEADER ISO 2  
PLAQUE D'ENTREE INFERIEURE ISO 2  
TERMINALE DI INGRESSO INFERIORE ISO 2

CODE: SB40460003



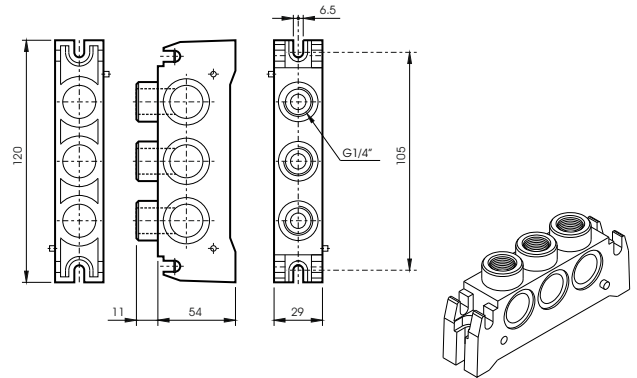
TOP ENTRY HEADER ISO 1  
EMBASE D'ENTREE SUPERIEURE ISO 1  
TERMINALE DI INGRESSO SUPERIORE ISO 1

CODE: SB40400002



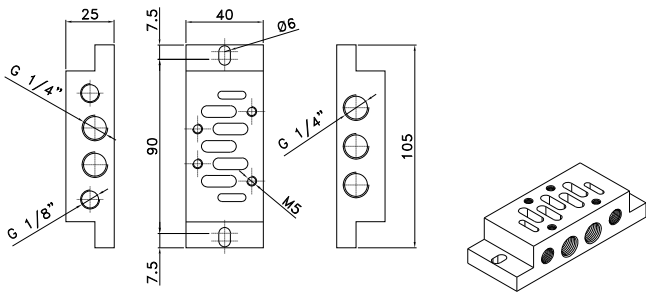
TOP ENTRY HEADER ISO 2  
EMBASE D'ENTREE SUPERIEURE ISO 2  
TERMINALE DI INGRESSO SUPERIORE ISO 2

CODE: SB40460002



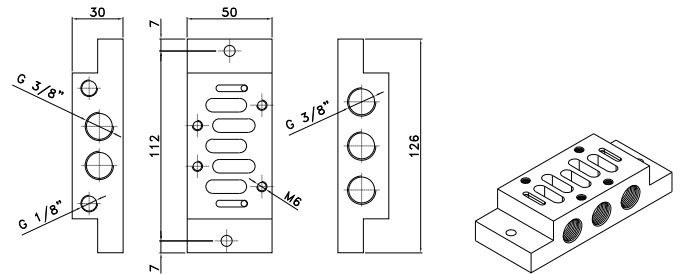
SINGLE SUB-BASE ISO 1  
EMBASE SIMPLE ISO 1  
SOTTOBASE SINGOLA ISO 1

CODE: SB40400100



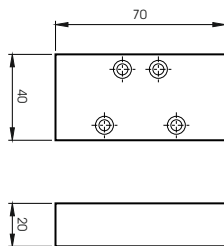
SINGLE SUB-BASE ISO 2  
EMBASE SIMPLE ISO 2  
SOTTOBASE SINGOLA ISO 2

CODE: SB40460100



BLANKING PLATE ISO 1  
PLAQUE DE FERMETURE ISO 1  
PIASTRINA DI CHIUSURA ISO 1

CODE: SB40400004



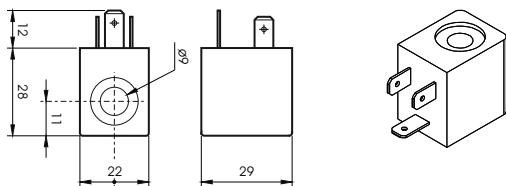
DIAPHRAGM GASKET  
JOINT DIAPHRAGME  
GUARNIZIONE DIAFRAMMA

CODE: SB40400005



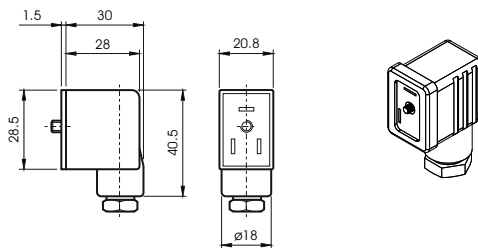
COILS 22mm  
BOBINE 22mm  
BOBINE 22mm

CODE	power / consommation / assorbimento		
	Tension	Rated	Inrush
BO4011024	24 VDC	3W	
BO4012024	24 VAC	5VA	7,5VA
BO4012110	110 VAC	5VA	7,5VA
BO4012220	220 VAC	5VA	7,5VA



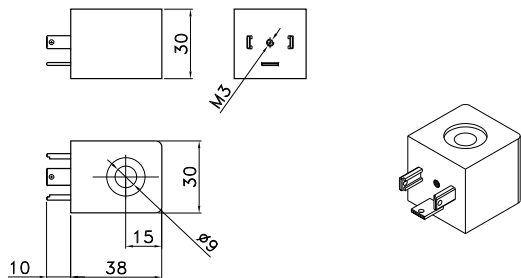
CONNECTORS  
CONNECTEUR  
CONNETTORI

CODE	
AR40696	STANDARD
VX0014	LED 24V
VX0015	LED 110V
VX0016	LED 220V
VX0017	LED+VDR
VX0018	LED+VDR
VX0019	LED+VDR



COILS 30mm  
BOBINE 30mm  
BOBINE 30mm

CODE	power / consommation / assorbimento		
	Tension	Rated	Inrush
BO4021024	24 VDC	2W	
BO4022024	24 VAC	5VA	9VA
BO4022110	110 VAC	5VA	9VA
BO4020220	220 VAC	5VA	9VA



CONNECTORS  
CONNECTEUR  
CONNETTORI

CODE	
VX0027	STANDARD
VX0028	LED 24V
VX0029	LED 110V
VX0030	LED 220V
VX0031	LED+VDR
VX0032	LED+VDR
VX0033	LED+VDR

