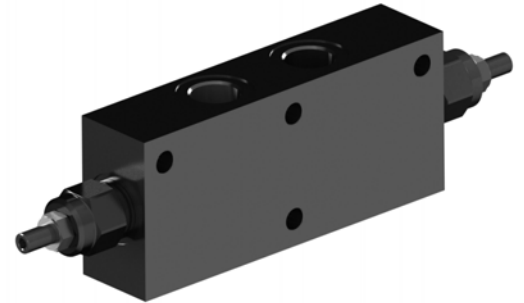
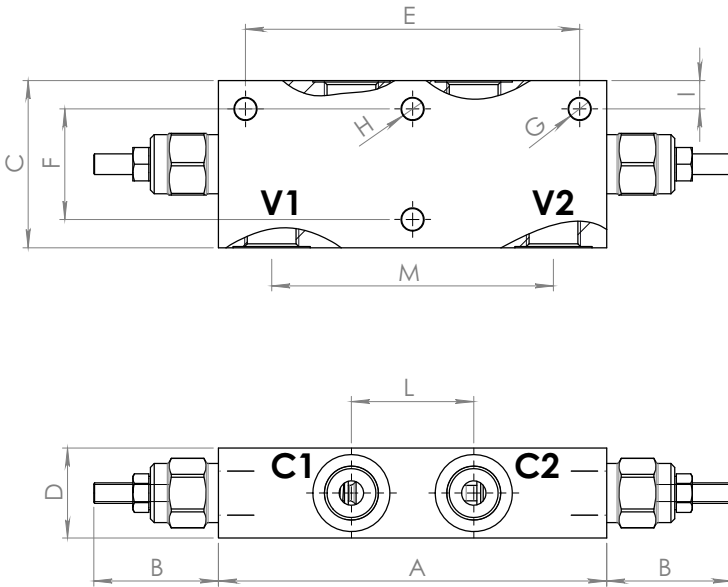
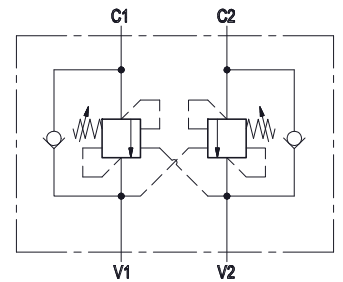


Dimensions

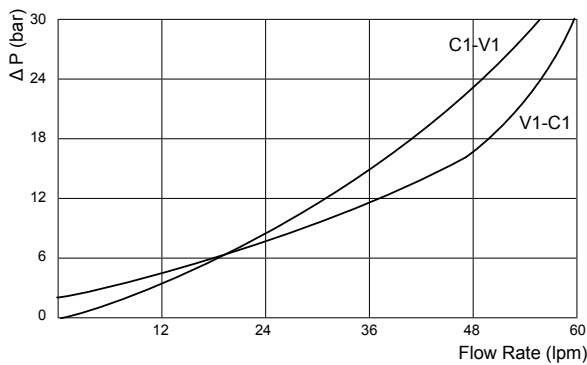


Size	A	B max	C	C1 - C2 V1 - V2 BSP	D	E	F	G	H	I	L	M	Weight kg
02	151	48,5	55	3/8	30	130	38	8,5	8,5	10	47,6	109,6	1,89
03	151	48,5	65	1/2	35	130	43	9	8,5	10	47,6	109,6	2,52

Hydraulic Symbol



Curves



Features

Rated Flow	60 lpm
Max Pressure	350 bar

Materials: Zinc plated steel manifold, hardened steel inner parts.

Notice: Relief setting at least 1,3 times the highest expected load-induced pressure.

Ordering Code

CBDL -- -- -

Port Size BSP	
02	3/8
03	1/2

Spring			
	Pressure Range (bar)	Increase (bar/turn)	Standard Setting (bar) Q=5 lpm
20	60 - 210	61	180
30	100 - 350	100	250

Pilot Ratio	
	4,2 : 1
8	8 : 1

Ordering Code Example: **CBDL0330** = 1/2 BSP Ports - 100-350 bar setting range, 4,2:1 Pilot Ratio.