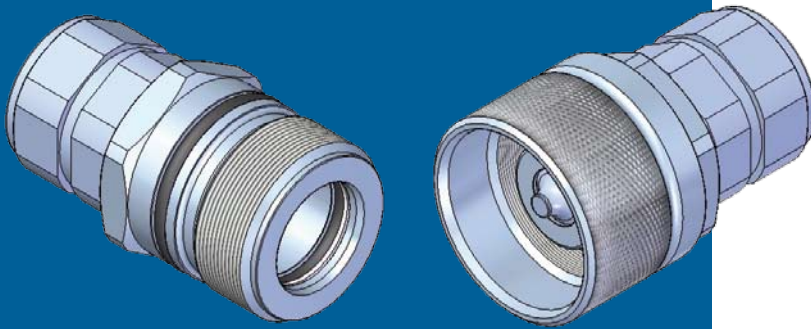
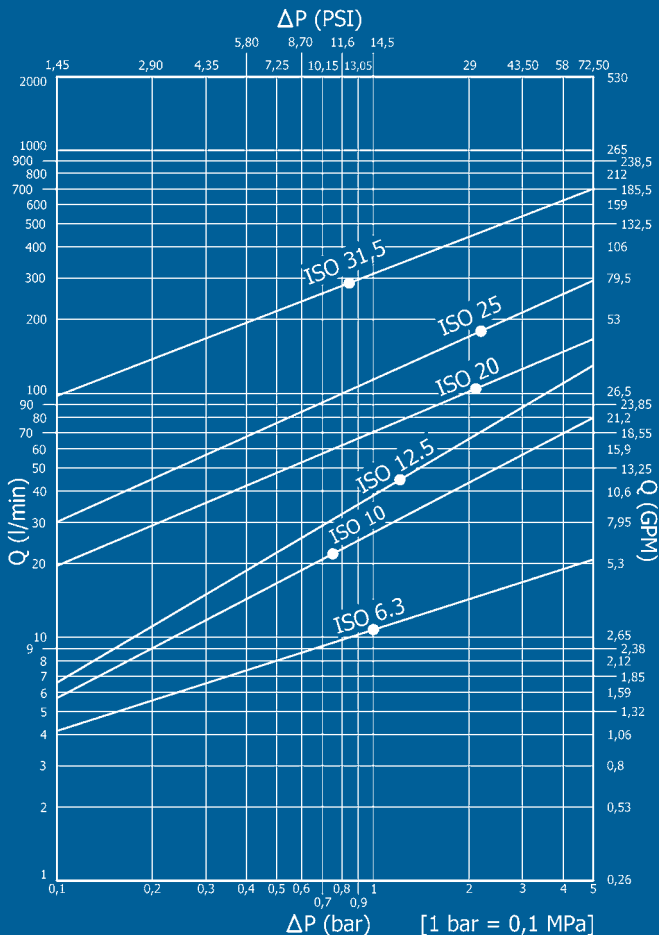


PVV3



Nominal size				Max working pressure	Rated flow	Max flow rate	Min burst pressure			Fluid spillage
							Male	Female	Coupled	
DNP	BG	ISO	mm	Mpa	l/min	l/min	MPa	MPa	MPa	cc
06	1	6.3	5	35	12	17	140	140	140	0,8
10	2	10	8,5	32,5	23	46	130	150	180	1,9
13	3	12.5	10,5	30	45	90	120	150	140	2,7
20	4	19	15,7	25	106	190	100	130	140	9,3
25	5	25	17,3	25	189	280	100	130	140	16
30	6	31.5	29,6	25	288	480	100	100	100	30



Caratteristiche tecniche

- Intercambiabilità: con i principali produttori
- Occlusione: valvola
- Aggancio: a vite
- Materiale: acciaio
- Finitura: Zn-Fe (Cr III)
- Filettature: BSP – NPT – SAE – METRICHE
- Guarnizioni standard: NBR
- Temperatura d'esercizio: -25 °C +100 °C
- Guarnizioni opzionali: FKM, EPDM o altro
- Pressioni di esercizio: 250-350 bar
- Connessione in pressione: consentita (lato maschio o lato femmina)
- Massima pressione residua: pressione d'esercizio

Technical data

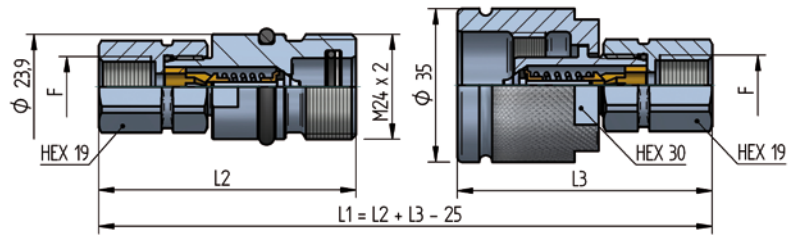
- Interchange: with the main producers
- Occlusion: poppet
- Locking: screw
- Material: steel
- Finishing: Zn-Fe (Cr III)
- Threads: BSP – NPT – SAE – METRIC
- Standard seals: NBR
- Working temperature: -25 °C +100 °C
- Optional seals: FKM, EPDM or more
- Working pressure: 250-350 bar
- Connection under pressure: allowed (both male or female side)
- Max residual pressure: working pressure

Technische Merkmale

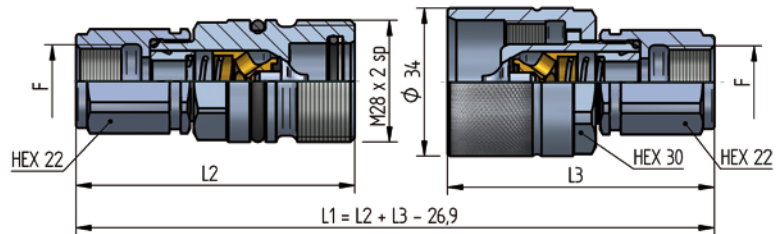
- Austauschbarkeit: mit den wichtigsten Lieferanten
- Verschluss: ventil
- Kupplung: Schraubweise
- Werkstoff: Stahl
- Ausführung: Zn-Fe (Cr III)
- Gewinde: BSP – NPT – SAE – METRISCHE
- Standard-Dichtungen: NBR
- Betriebstemperatur: -25 °C +100 °C
- Dichtungen nach Wahl: FKM, EPDM, usw.
- Betriebsdruck: 250-350 bar
- Kuppeln unter Druck: erlaubt (Steckerseite oder Muffenseite)
- Max. Restdruck: Betriebsdruck

Caracteristiques techniques

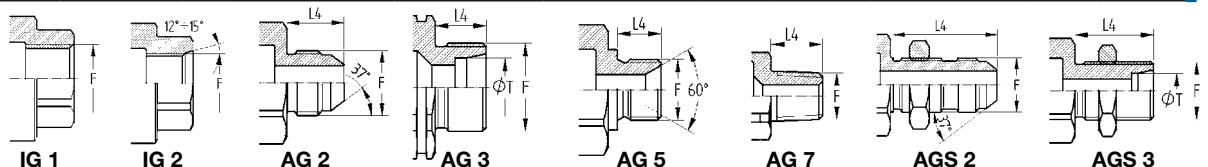
- Intercambiabilité: avec les principaux producteurs
- Obturation: clapet
- Accrochage: a vissé
- Matériel: acier
- Traitement: Zn-Fe (Cr III)
- Taraudage: BSP – NPT – SAE – METRIQUES
- Joints standard: NBR
- Température de service: -25 °C +100 °C
- Joints facultatifs: FKM, EPDM, ect.
- Pression de service: 250-350 bar
- Connexion sous pression: possible (côté male ou femelle)
- Pression restante max: pression de service

PVV3 DN06 - BG 1 - ISO 6.3


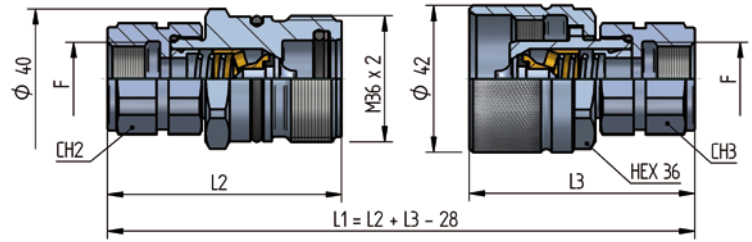
THREADS	L2	L3	L4	ØT	F	STANDARD	FEMMINA - FEMALE - MUFFE - FEMELLE			MASCHIO - MALE - STECKER - MALE		
							COD. F	Weight (g)	Packaging (pcs.)	COD. M	Weight (g)	Packaging (pcs.)
IG 1	59	58			BSP 1/4"	DIN 3852-2-X	PVV3.0606.112	122	100	PVV3.0606.113	184	45
	59	58			NPT 1/4"	ANSI B1.20.3	PVV3.0606.012	123	100	PVV3.0606.013	185	45
AG 3	58	57	10	Ø8L	M14x1,5	ISO 8434-1-L	PVV3.0614.302	110	100	PVV3.0614.303	172	45
AGS 3	73	73	25	Ø8L	M14x1,5	ISO 8434-1-L	PVV3.0614.502	123	88	PVV3.0614.503	185	45

PVV3 DN10 - BG 2 - ISO 10


THREADS	L2	L3	L4	ØT	F	STANDARD	FEMMINA - FEMALE - MUFFE - FEMELLE			MASCHIO - MALE - STECKER - MALE		
							COD. F	Weight (g)	Packaging (pcs.)	COD. M	Weight (g)	Packaging (pcs.)
IG 1	64	61,2			BSP 1/4"	DIN 3852-2-X	PVV3.1006.112	166	76	PVV3.1006.113	171	45
	64	61,2			NPT 1/4"	ANSI B1.20.3	PVV3.1006.012	167	76	PVV3.1006.013	172	45
	64	61,2			BSP 3/8"	DIN 3852-2-X	PVV3.1010.112	157	76	PVV3.1010.113	162	45
	64	61,2			NPT 3/8"	ANSI B1.20.3	PVV3.1010.012	159	76	PVV3.1010.013	164	45
	64	61,2			M16x1,5	ISO 6149-1	PVV3.1016.102	160	76	PVV3.1016.103	165	45
	64	61,2			M18x1,5	ISO 6149-1	PVV3.1018.102	153	76	PVV3.1018.103	158	45
IG 2	64	61,2			9/16"-18 UNF 2B	SAE J 1926-1	PVV3.1015.032	163	76	PVV3.1015.033	168	45
AG 2	65,9	63,1	14,1		9/16"-18 UNF 2A	SAE J 514	PVV3.1015.302	151	76	PVV3.1015.303	156	45
AGS 2	85,1	82,3	33,3		9/16"-18 UNF 2A	SAE J 514	PVV3.1015.502	164	76	PVV3.1015.503	169	45
AG 5	66,3	63,5	12		BSP 3/8"	DIN 3852-2-B	PVV3.1010.212	159	76	PVV3.1010.213	164	45
	65,8	63	12		BSP 1/4"	DIN 3852-2-A	PVV3.1006.712	154	76	PVV3.1006.713	159	45
	66,3	63,5	12		BSP 3/8"	DIN 3852-2-A	PVV3.1010.712	159	76	PVV3.1010.713	164	45
AG 7	65,8	63	14		NPT 1/4"	ANSI B1.20.3	PVV3.1006.022	153	76	PVV3.1006.023	158	45
	65,8	63	14		R 1/4"-19	UNI ISO 7/1	PVV3.1006.042	153	76	PVV3.1006.043	158	45
AG 3	61,8	59	10	Ø6L	M12x1,5	ISO 8434-1-L	PVV3.1012.302	148	76	PVV3.1012.303	153	45
	61,8	59	10	Ø8L	M14x1,5	ISO 8434-1-L	PVV3.1014.302	149	76	PVV3.1014.303	154	45
	62,8	60	11	Ø10L	M16x1,5	ISO 8434-1-L	PVV3.1016.302	150	76	PVV3.1016.303	155	45
	62,8	60	11	Ø12L	M18x1,5	ISO 8434-1-L	PVV3.1018.302	151	76	PVV3.1018.303	156	45
	63,8	61	12	Ø8S	M16x1,5	ISO 8434-1-S	PVV3.1016.402	154	76	PVV3.1016.403	159	45
	63,8	61	12	Ø10S	M18x1,5	ISO 8434-1-S	PVV3.1018.402	156	76	PVV3.1018.403	161	45
AGS 3	63,8	61	12	Ø12S	M20x1,5	ISO 8434-1-S	PVV3.1020.402	158	76	PVV3.1020.403	163	45
	77,8	75	26	Ø6L	M12x1,5	ISO 8434-1-L	PVV3.1012.502	165	76	PVV3.1012.503	170	45
	77,8	75	26	Ø8L	M14x1,5	ISO 8434-1-L	PVV3.1014.502	169	76	PVV3.1014.503	174	45
	77,8	75	26	Ø10L	M16x1,5	ISO 8434-1-L	PVV3.1016.502	175	76	PVV3.1016.503	180	45
	77,8	75	26	Ø12L	M18x1,5	ISO 8434-1-L	PVV3.1018.502	180	76	PVV3.1018.503	185	45
	78,8	76	27	Ø8S	M16x1,5	ISO 8434-1-S	PVV3.1016.602	183	76	PVV3.1016.603	188	45
	78,8	76	27	Ø10S	M18x1,5	ISO 8434-1-S	PVV3.1018.602	190	76	PVV3.1018.603	195	45
	78,8	76	27	Ø12S	M20x1,5	ISO 8434-1-S	PVV3.1020.602	199	76	PVV3.1020.603	204	45

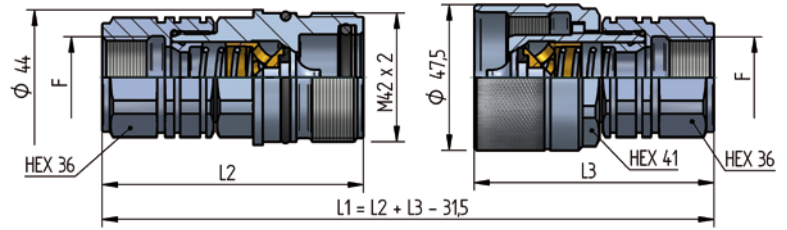
THREADS


PV3 DN13 - BG 3 - ISO 12.5



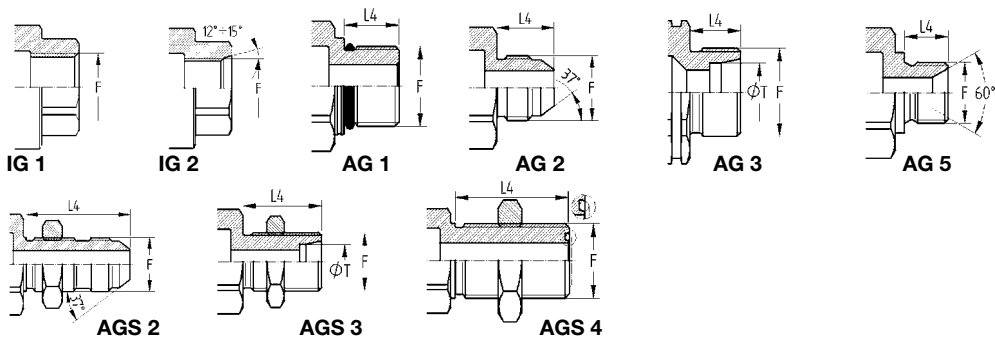
THREADS	CH2	L2	CH3	L3	L4	ØT	F	STANDARD	FEMMINA - FEMALE - MUFFE - FEMELLE			MASCHIO - MALE - STECKER - MALE			
									COD. F	Weight (g)	Packaging (pcs.)	COD. M	Weight (g)	Pack. (pcs.)	
IG 1	30	67	30	64,5			BSP 3/8"	DIN 3852-2-X	PW3.1310.112	316	40	PW3.1310.113	271	30	
	30	69,5	30	67			NPT 3/8"	ANSI B1.20.3	PW3.1310.012	342	40	PW3.1310.013	297	30	
	30	67	30	64,5			BSP 1/2"	DIN 3852-2-X	PW3.1313.112	312	40	PW3.1313.113	267	30	
	30	70	30	67,5			NPT 1/2"	ANSI B1.20.3	PW3.1313.012	326	40	PW3.1313.013	281	30	
	36	72,5	36	70			BSP 3/4"	DIN 3852-2-X	PW3.1319.112	365	40	PW3.1319.113	320	30	
	36	72,5	36	70			NPT 3/4"	ANSI B1.20.3	PW3.1319.012	374	40	PW3.1319.013	329	30	
	30	67	30	64,5			M14x1,5	ISO 6149-1	PW3.1314.102	325	40	PW3.1314.103	280	30	
	30	67	30	64,5			M16x1,5	ISO 6149-1	PW3.1316.102	319	40	PW3.1316.103	274	30	
	30	67	30	64,5			M18x1,5	ISO 6149-1	PW3.1318.102	313	40	PW3.1318.103	268	30	
	30	67	30	64,5			M20x1,5	ISO 6149-1	PW3.1320.102	316	40	PW3.1320.103	271	30	
IG 2	30	67	30	64,5			9/16"-18 UNF 2B	SAE J 1926-1	PW3.1315.032	323	40	PW3.1315.033	278	30	
	30	67	30	64,5			3/4"-16 UNF 2B	SAE J 1926-1	PW3.1319.032	318	40	PW3.1319.033	273	30	
	30	71	30	68,5			7/8"-14 UNF 2A	SAE J 1926-1	PW3.1323.032	317	40	PW3.1323.033	272	30	
	30	69	30	66,5			M16x1,5	SAE J 2244/1	PW3.1316.112	333	40	PW3.1316.113	288	30	
	30	67	30	64,5			M22x1,5	SAE J 2244/1	PW3.1322.102	305	40	PW3.1322.103	260	30	
AG 1	27	67,1	27	64,6	11,1		3/4"-16 UNF 2A	SAE J 1926-3	PW3.1319.332	283	40	PW3.1319.333	238	30	
	30	70	30	67,5	16		M20x1,5	ISO 6149-2	PW3.1320.222	303	40	PW3.1320.223	258	30	
AG 2	30	70,7	30	68,2	16,7		3/4"-16 UNF 2A	SAE J 514	PW3.1319.302	293	40	PW3.1319.303	248	30	
AGS 2	30	91,6	30	89,1	37,6		3/4"-16 UNF 2A	SAE J 514	PW3.1319.502	320	40	PW3.1319.503	275	30	
	30	95,1	30	92,6	41,1		7/8"-14 UNF 2A	SAE J 514	PW3.1323.502	336	40	PW3.1323.503	291	30	
AG 5	30	68,5	30	66	12		BSP 3/8"	DIN 3852-2-B	PW3.1310.212	294	40	PW3.1310.213	249	30	
	30	71	30	68,5	13		BSP 1/2"	DIN 3852-2-B	PW3.1313.212	302	40	PW3.1313.213	257	30	
	30	65	30	62,5	11		M16x1,5	DIN 3863-U	PW3.1316.702	286	40	PW3.1316.703	241	30	
	30	70	30	67,5	16		M20x1,5	DIN 3863-U	PW3.1320.702	299	40	PW3.1320.703	254	30	
	30	68	30	65,5	14		M22x1,5	DIN 3863-U	PW3.1322.702	296	40	PW3.1322.703	251	30	
AG 3	30	64	30	61,5	10	08L	M14x1,5	ISO 8434-1-L	PW3.1314.302	284	40	PW3.1314.303	239	30	
	30	65	30	62,5	11	10L	M16x1,5	ISO 8434-1-L	PW3.1316.302	285	40	PW3.1316.303	240	30	
	30	65	30	62,5	11	12L	M18x1,5	ISO 8434-1-L	PW3.1318.302	286	40	PW3.1318.303	241	30	
	30	66	30	63,5	12	15L	M22x1,5	ISO 8434-1-L	PW3.1322.302	291	40	PW3.1322.303	246	30	
	30	66	30	63,5	12	18L	M26x1,5	ISO 8434-1-L	PW3.1326.302	296	40	PW3.1326.303	251	30	
	30	66	30	63,5	12	10S	M18x1,5	ISO 8434-1-S	PW3.1318.402	291	40	PW3.1318.403	246	30	
	30	66	30	63,5	12	12S	M20x1,5	ISO 8434-1-S	PW3.1320.402	293	40	PW3.1320.403	248	30	
	30	68	30	65,5	14	14S	M22x1,5	ISO 8434-1-S	PW3.1322.402	298	40	PW3.1322.403	253	30	
	30	68	30	65,5	14	16S	M24x1,5	ISO 8434-1-S	PW3.1324.402	299	40	PW3.1324.403	254	30	
	30	71	30	68,5	16	20S	M30x2	ISO 8434-1-S	PW3.1330.402	315	40	PW3.1330.403	270	30	
	27	66	27	63,5	11	12L	M18x1,5	ISO 8434-1-L	PW5.1318.302	273	40	PW5.1318.303	228	30	
	AGS 3	30	80	30	77,5	26	08L	M14x1,5	ISO 8434-1-L	PW3.1314.502	297	40	PW3.1314.503	252	30
		30	80	30	77,5	26	10L	M16x1,5	ISO 8434-1-L	PW3.1316.502	300	40	PW3.1316.503	255	30
30		80	30	77,5	26	12L	M18x1,5	ISO 8434-1-L	PW3.1318.502	302	40	PW3.1318.503	257	30	
30		90	30	87,5	36	12L	M18x1,5	ISO 8434-1-L	PW3.1318.512	310	40	PW3.1318.513	265	30	
30		81	30	78,5	27	15L	M22x1,5	ISO 8434-1-L	PW3.1322.502	317	40	PW3.1322.503	272	30	
30		81	30	78,5	27	18L	M26x1,5	ISO 8434-1-L	PW3.1326.502	334	40	PW3.1326.503	289	30	
30		81	30	78,5	27	10S	M18x1,5	ISO 8434-1-S	PW3.1318.602	313	40	PW3.1318.603	268	30	
30		81	30	78,5	27	12S	M20x1,5	ISO 8434-1-S	PW3.1320.602	318	40	PW3.1320.603	273	30	
30		83	30	80,5	29	14S	M22x1,5	ISO 8434-1-S	PW3.1322.602	329	40	PW3.1322.603	284	30	
30		83	30	80,5	29	16S	M24x1,5	ISO 8434-1-S	PW3.1324.602	333	40	PW3.1324.603	288	30	
30		83	30	80,5	29	20S	M30x2	ISO 8434-1-S	PW3.1330.602	364	40	PW3.1330.603	319	30	
27		80	27	77,5	26	12L	M18x1,5	ISO 8434-1-L	PW5.1318.502	289	40	PW5.1318.503	244	30	
27		81	27	78,5	27	15L	M22x1,5	ISO 8434-1-L	PW5.1322.502	305	40	PW5.1322.503	260	30	

PV3 DN20 - BG 4 - ISO 19

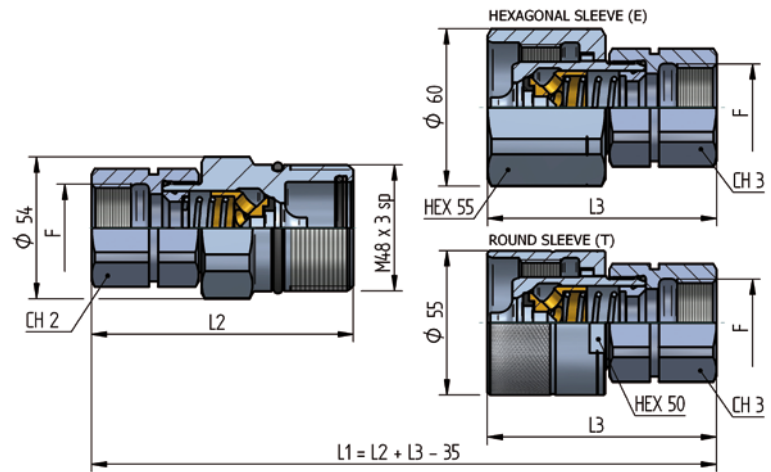


THREADS	L2	L3	L4	ØT	F	STANDARD	FEMMINA - FEMALE - MUFFE - FEMELLE			MASCHIO - MALE - STECKER - MALE		
							COD. F	Weight (g)	Packaging (pcs.)	COD. M	Weight (g)	Packaging (pcs.)
IG 1	83,5	76,5			BSP 1/2"	DIN 3852-2-X	PW3.2013.112	500	30	PW3.2013.113	443	28
	85	78			NPT 1/2"	ANSI B1.20.3	PW3.2013.012	510	30	PW3.2013.013	453	28
	85,5	78,5			BSP 3/4"	DIN 3852-2-X	PW3.2019.112	477	30	PW3.2019.113	420	28
	85	78			NPT 3/4"	ANSI B1.20.3	PW3.2019.012	485	30	PW3.2019.013	429	28
	81,5	74,5			M18x1,5	ISO 6149-1	PW3.2018.102	496	30	PW3.2018.103	439	28
	81	74			M22x1,5	ISO 6149-1	PW3.2022.102	479	30	PW3.2022.103	422	28
	85	78			M26x1,5	ISO 6149-1	PW3.2026.102	476	30	PW3.2026.103	419	28
	85	78			M30x1,5	ISO 6149-1	PW3.2030.102	449	30	PW3.2030.103	393	28
	IG 2	81	74			3/4"-16 UNF 2B	SAE J 1926-1	PW3.2019.032	489	30	PW3.2019.033	432
85		78			7/8"-14 UNF 2B	SAE J 1926-1	PW3.2023.032	501	30	PW3.2023.033	444	28
85		78			1"1/16-16 UN 2B	SAE J 1926-1	PW3.2027.032	471	30	PW3.2027.033	415	28
AG 2	92	85	22		1"1/16-16 UN 2A	SAE J 514	PW3.2027.302	449	30	PW3.2027.303	393	28
AGS 2	111,1	104,1	41,1		7/8"-14 UNF 2A	SAE J 514	PW3.2023.502	486	10	PW3.2023.503	430	25
	115,4	108,4	45,4		1"1/16-16 UN 2A	SAE J 514	PW3.2027.502	519	10	PW3.2027.503	463	25
AG 5	89	82	16		BSP 3/4"	DIN 3852-2-A	PW3.2019.712	468	30	PW3.2019.713	412	28
AG 3	81	74	11	12L	M18x1,5	ISO 8434-1-L	PW3.2018.302	435	30	PW3.2018.303	378	28
	82	75	12	15L	M22x1,5	ISO 8434-1-L	PW3.2022.302	439	30	PW3.2022.303	383	28
	82	75	12	18L	M26x1,5	ISO 8434-1-L	PW3.2026.302	446	30	PW3.2026.303	389	28
	84	77	14	22L	M30x2	ISO 8434-1-L	PW3.2030.302	449	30	PW3.2030.303	393	28
	82	75	12	10S	M18x1,5	ISO 8434-1-S	PW3.2018.402	438	30	PW3.2018.403	382	28
	82	75	12	12S	M20x1,5	ISO 8434-1-S	PW3.2020.402	441	30	PW3.2020.403	385	28
	84	77	14	14S	M22x1,5	ISO 8434-1-S	PW3.2022.402	445	30	PW3.2022.403	388	28
	84	77	14	16S	M24x1,5	ISO 8434-1-S	PW3.2024.402	448	30	PW3.2024.403	391	28
	86	79	16	20S	M30x2	ISO 8434-1-S	PW3.2030.402	462	30	PW3.2030.403	405	28
AGS 3	96	89	26	12L	M18x1,5	ISO 8434-1-L	PW3.2018.502	451	10	PW3.2018.503	394	25
	97	90	27	15L	M22x1,5	ISO 8434-1-L	PW3.2022.502	466	10	PW3.2022.503	409	25
	97	90	27	18L	M26x1,5	ISO 8434-1-L	PW3.2026.502	483	10	PW3.2026.503	427	25
	104	97	34	22L	M30x2	ISO 8434-1-L	PW3.2030.502	509	10	PW3.2030.503	453	25
	97	90	27	10S	M18x1,5	ISO 8434-1-S	PW3.2018.602	459	10	PW3.2018.603	402	25
	97	90	27	12S	M20x1,5	ISO 8434-1-S	PW3.2020.602	467	10	PW3.2020.603	410	25
	99	92	29	14S	M22x1,5	ISO 8434-1-S	PW3.2022.602	475	10	PW3.2022.603	419	25
	99	92	29	16S	M24x1,5	ISO 8434-1-S	PW3.2024.602	481	10	PW3.2024.603	425	25
	104	97	34	20S	M30x2	ISO 8434-1-S	PW3.2030.602	504	10	PW3.2030.603	448	25
AGS 4	108,5	101,5	38,5		1"-14 UNS 2A	SAE J 1453	PW3.2025.532	518	10	PW3.2025.533	462	25

THREADS

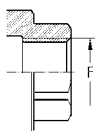


PV3 DN25 - BG 5 - ISO 25

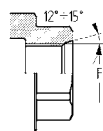


THREADS	CH2	L2	CH3	L3	L4	ØT	F	STANDARD	FEMMINA - FEMALE - MUFFE - FEMELLE			MASCHIO - MALE - STECKER - MALE		
									COD. F	Weight (g)	Pack. (pcs.)	COD. M	Weight (g)	Pack. (pcs.)
IG 1	41	100	41	87,5	18		BSP 3/4"	DIN 3852-2-X	PVW3.2519.112	837	10	PVW3.2519.113 T	696	18
				87,5			DIN 3852-2-X	PVW3.2519.113 E				776	18	
	41	100	41	87,5	18		NPT 3/4"	ANSI B1.20.3	PVW3.2519.012	844	10	PVW3.2519.013 T	703	18
				87,5			ANSI B1.20.3	PVW3.2519.013 E				783	18	
	41	100	41	87,5	18		BSP 1"	DIN 3852-2-X	PVW3.2525.112	782	10	PVW3.2525.113 T	641	18
				87,5			DIN 3852-2-X	PVW3.2525.113 E				721	18	
	41	100	41	87,5	18		NPT 1"	ANSI B1.20.3	PVW3.2525.012	795	10	PVW3.2525.013 T	654	18
				87,5			ANSI B1.20.3	PVW3.2525.013 E				734	18	
41	100	41	87,5	18		M30x1,5	ISO 6149-1	PVW3.2530.102	810	10	PVW3.2530.103 T	669	18	
			87,5			ISO 6149-1	PVW3.2530.103 E				749	18		
IG 2	41	100	41	87,5	18		1"1/16-16 UN 2B	SAE J 1926-1	PVW3.2527.032	831	10	PVW3.2527.033 T	690	18
				87,5			SAE J 1926-1	PVW3.2527.033 E				770	18	
	41	100	41	87,5	18		1"5/16-12 UN 2B	SAE J 1926-1	PVW3.2533.032	772	10	PVW3.2533.033 T	631	18
				87,5			SAE J 1926-1	PVW3.2533.033 E				711	18	
AG 5	41	102	41	89,5	18		BSP 1"	DIN 3852-2-B	PVW3.2525.212	781	10	PVW3.2525.213 T	641	18
				89,5			DIN 3852-2-B	PVW3.2525.213 E				721	18	
	41	100	41	87,5	16		BSP 3/4"	DIN 3852-2-A	PVW3.2519.712	755	10	PVW3.2519.713 T	615	18
				87,5			DIN 3852-2-A	PVW3.2519.713 E				695	18	
	41	102	41	89,5	18		BSP 1"	DIN 3852-2-A	PVW3.2525.712	781	10	PVW3.2525.713 T	641	18
				89,5			DIN 3852-2-A	PVW3.2525.713 E				721	18	

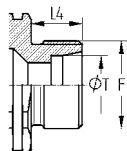
THREADS



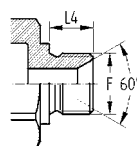
IG 1



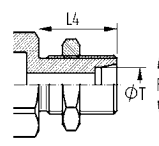
IG 2



AG 3



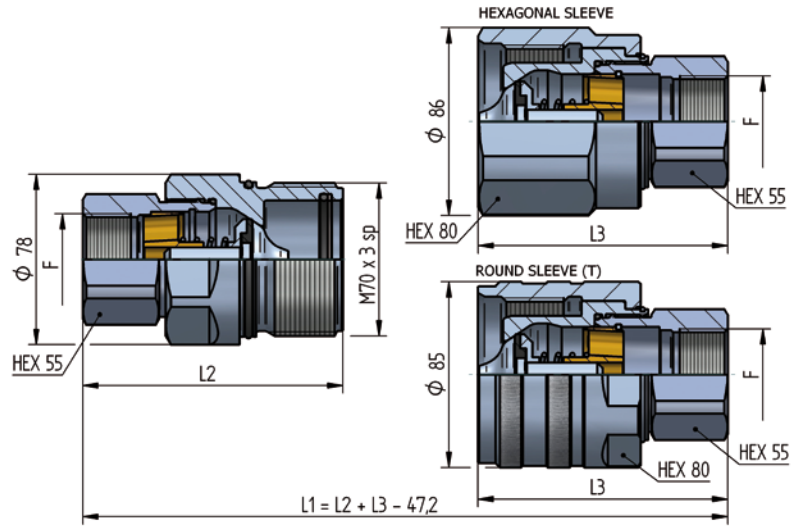
AG 5



AGS 3

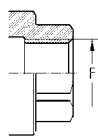
THREADS	CH2	L2	CH3	L3	L4	ØT	F	STANDARD	FEMMINA - FEMALE - MUFFE - FEMELLE			MASCIO - MALE - STECKER - MALE			
									COD. F	Weight (g)	Pack. (pcs.)	COD. M	Weight (g)	Pack. (pcs.)	
AG 3	41	93	41	80,5	12	18L	M26x1,5	ISO 8434-1-L	PWV3.2526.302	732	10	PWV3.2526.303 T	591	18	
			41	80,5	12	18L	M26x1,5	ISO 8434-1-L				PWV3.2526.303 E	671	18	
		41	95	41	82,5	14	22L	M30x2	ISO 8434-1-L	PWV3.2530.302	737	10	PWV3.2530.303 T	596	18
				41	82,5	14	22L	M30x2	ISO 8434-1-L				PWV3.2530.303 E	676	18
		41	95	41	82,5	14	28L	M36x2	ISO 8434-1-L	PWV3.2536.302	742	10	PWV3.2536.303 T	601	18
				41	82,5	14	28L	M36x2	ISO 8434-1-L				PWV3.2536.303 E	681	18
		46	97	46	84,5	16	35L	M45x2	ISO 8434-1-L	PWV3.2545.302	831	10	PWV3.2545.303 T	690	18
				46	84,5	16	35L	M45x2	ISO 8434-1-L				PWV3.2545.303 E	770	18
		41	97	41	84,5	16	20S	M30x2	ISO 8434-1-S	PWV3.2530.402	748	10	PWV3.2530.403 T	607	18
				41	84,5	16	20S	M30x2	ISO 8434-1-S				PWV3.2530.403 E	687	18
		41	99	41	86,5	18	25S	M36x2	ISO 8434-1-S	PWV3.2536.402	771	10	PWV3.2536.403 T	630	18
				41	86,5	18	25S	M36x2	ISO 8434-1-S				PWV3.2536.403 E	710	18
		46	101	46	88,5	20	30S	M42x2	ISO 8434-1-S	PWV3.2542.402	852	10	PWV3.2542.403 T	711	18
				46	88,5	20	30S	M42x2	ISO 8434-1-S				PWV3.2542.403 E	791	18
		55	103	55	90,5	22	38S	M52x2	ISO 8434-1-S	PWV3.2552.402	1039	10	PWV3.2552.403 T	898	18
				55	90,5	22	38S	M52x2	ISO 8434-1-S				PWV3.2552.403 E	978	18
AGS 3	41	115	41	103	34	18L	M26x1,5	ISO 8434-1-L	PWV3.2526.502	820	10	PWV3.2526.503 T	679	10	
			41	103	34	18L	M26x1,5	ISO 8434-1-L				PWV3.2526.503 E	759	10	
		41	115	41	103	34	22L	M30x2	ISO 8434-1-L	PWV3.2530.502	846	10	PWV3.2530.503 T	705	10
				41	103	34	22L	M30x2	ISO 8434-1-L				PWV3.2530.503 E	785	10
		41	115	41	103	34	28L	M36x2	ISO 8434-1-L	PWV3.2536.502	883	10	PWV3.2536.503 T	742	10
				41	103	34	28L	M36x2	ISO 8434-1-L				PWV3.2536.503 E	822	10
		46	121	46	109	40	35L	M45x2	ISO 8434-1-L	PWV3.2545.502	1098	10	PWV3.2545.503 T	957	10
				46	109	40	35L	M45x2	ISO 8434-1-L				PWV3.2545.503 E	1037	10
		41	117	41	105	36	20S	M30x2	ISO 8434-1-S	PWV3.2530.602	863	10	PWV3.2530.603 T	722	10
				41	105	36	20S	M30x2	ISO 8434-1-S				PWV3.2530.603 E	802	10
		41	119	41	107	38	25S	M36x2	ISO 8434-1-S	PWV3.2536.602	924	10	PWV3.2536.603 T	783	10
				41	107	38	25S	M36x2	ISO 8434-1-S				PWV3.2536.603 E	863	10
		46	121	46	109	40	30S	M42x2	ISO 8434-1-S	PWV3.2542.602	1034	10	PWV3.2542.603 T	893	10
				46	109	40	30S	M42x2	ISO 8434-1-S				PWV3.2542.603 E	973	10
		55	134	55	122	53	38S	M52x2	ISO 8434-1-S	PWV3.2552.602	1333	10	PWV3.2552.603 T	1192	10
				55	122	53	38S	M52x2	ISO 8434-1-S				PWV3.2552.603 E	1272	10

PVV3 DN30 - BG 6 - ISO 31.5

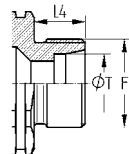


THREADS	L2	L3	L4	ØT	F	STANDARD	FEMMINA - FEMALE - MUFFE - FEMELLE			MASCHIO - MALE - STECKER - MALE		
							COD. F	Weight (g)	Packaging (pcs.)	COD. M	Weight (g)	Packaging (pcs.)
IG 1	119,2	114,5			BSP 1"¼	DIN 3852-2-X	PWV3.3031.112	1876	5	PWV3.3031.113	2132	5
	119,2	114,5			NPT 1"¼	ANSI B1.20.3	PWV3.3031.012	1894	5	PWV3.3031.013	2150	5
	120,7	116			BSP 1"½	DIN 3852-2-X	PWV3.3039.112	1804	5	PWV3.3039.113	2060	5
	120,7	116			NPT 1"½	ANSI B1.20.3	PWV3.3039.012	1821	5	PWV3.3039.013	2077	5
AG 3	117,7	113	16	42L	M52x2	ISO 8434-1-L	PWV3.3052.302	1815	5	PWV3.3052.303	2071	5
	121,7	117	20	30S	M42x2	ISO 8434-1-S	PWV3.3042.402	1823	5	PWV3.3042.403	2079	5
	121,2	116,5	22	38S	M52x2	ISO 8434-1-S	PWV3.3052.402	1844	5	PWV3.3052.403	2100	5
AGS 3	141,7	137	40	30S	M42x2	ISO 8434-1-S	PWV3.3042.602	2007	5	PWV3.3042.603	2263	5
	152,2	147,5	53	38S	M52x2	ISO 8434-1-S	PWV3.3052.602	2135	5	PWV3.3052.603	2391	5

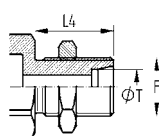
THREADS



IG 1



AG 3



AGS 3