

FDM Series

Variable Priority Flow Divider with Remote Proportional Control

The **FDM remote control flow divider** is ideally suited for the agricultural and industrial user seeking a cost-effective method of controlling hydraulic motor speed. The priority flow port gives an output independent of load pressure while the By-Pass port can be used to power a secondary circuit.

Specifications

Maximum pressure:
250 bar

Total flow capacity:
114 lpm

Regulated flow capacity:
See Table 2

Porting:
See Table 1

Material:
Steel components in a cast iron body.
Drive mechanism mounted on aluminium supports

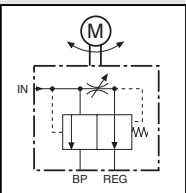
Weight:
2.75 kg

Power supply:
9 - 28 V

Peak current:
2.5 A

Average current:
< 100 mA

Symbol



Features

- Minimum to maximum priority flow in less than 3 seconds (at full pressure)
- 9 - 28 V D.C. supply enables unit to be powered from a vehicle supply
- Remote control using:
 - Potentiometer (shown above)
 - 0 - 5 VDC
 - 4 - 20 mA loop
- Remote operating distance: up to 40 m
- Pressure compensated permitting both 'priority' and 'By-Pass' flow to be used simultaneously at varying pressures without affecting the 'priority' flow rate
- Automatic current limiting to prevent overheating and motor overload
- Valve settings immune to power failure
- Tolerant to vibration and oil contamination
- Valve cover zinc plated and Teflon® coated for corrosion resistance
Teflon® is a Registered Trademark of DuPont
- Designed to meet IP67
- Range of cables available please contact sales office

Quality Hydraulic Components from the Webtec Range

Ordering Codes



Table 1: Porting*

Code	Port Threads Inlet Regulated Flow and Excess Flow	Relief Valve External Drain where fitted
J	3/4" BSPP	1/4" BSPP
A	3/4" NPTF	1/4" NPTF
M	M22 x 1.5, M27 x 2	M14 x 1.5
G	1-1/16" -12UN #12 SAE ORB	9/16" -18UN #6 SAE ORB
H	1/2" BSPP	1/4" BSPP

* Other threads available to special order.

Table 2: Regulated Flow

Code	Regulated Flow
030	0.5 - 11 lpm
050	0.5 - 19 lpm
080	0.5 - 30 lpm
125	0.5 - 47 lpm
200	0.5 - 76 lpm
250	0.5 - 95 lpm
300	0.5 - 114 lpm

Note: M22 only available in flow code 030 to 125

M27 only available in flow code 200 to 300

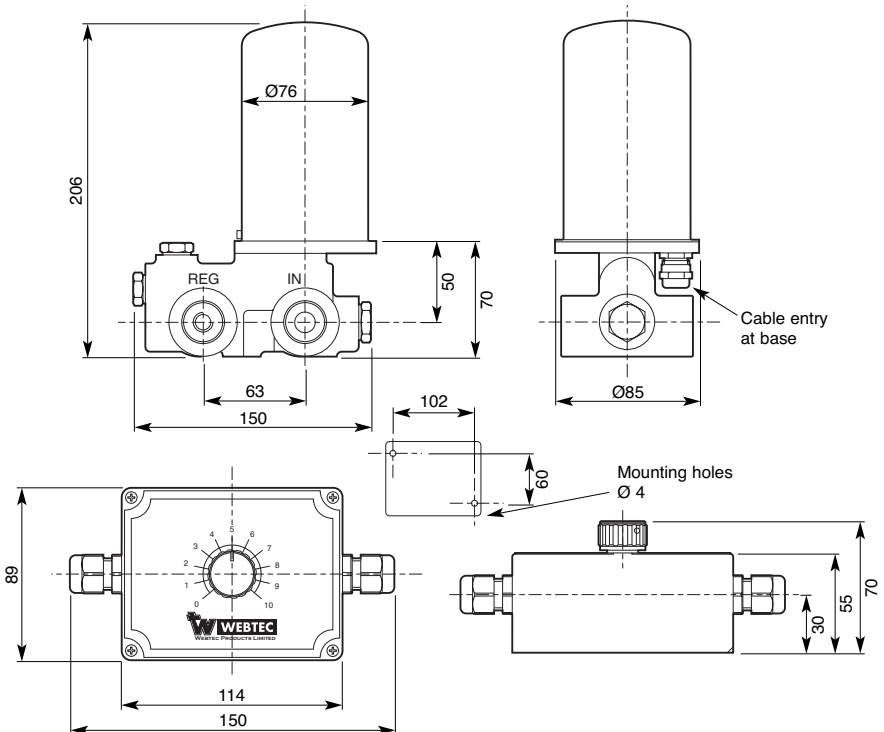
1/2" BSPP only available in flow code 030 to 125

Table 3: Control

Code	Control
P	Potentiometer
5 V	0 - 5 VDC
mA	4 - 20 mA

Installation Details - Value

Dimensions in millimetres



*Other threads available to special order.