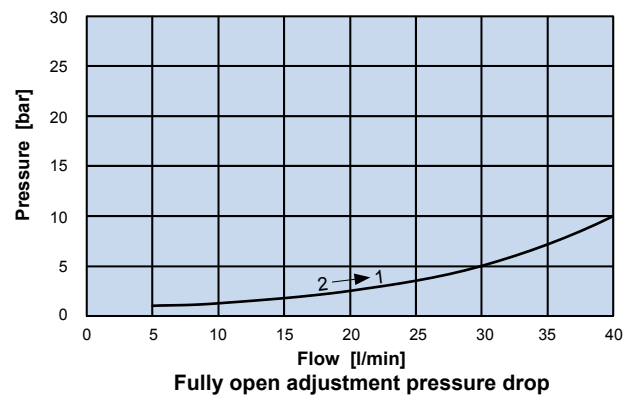
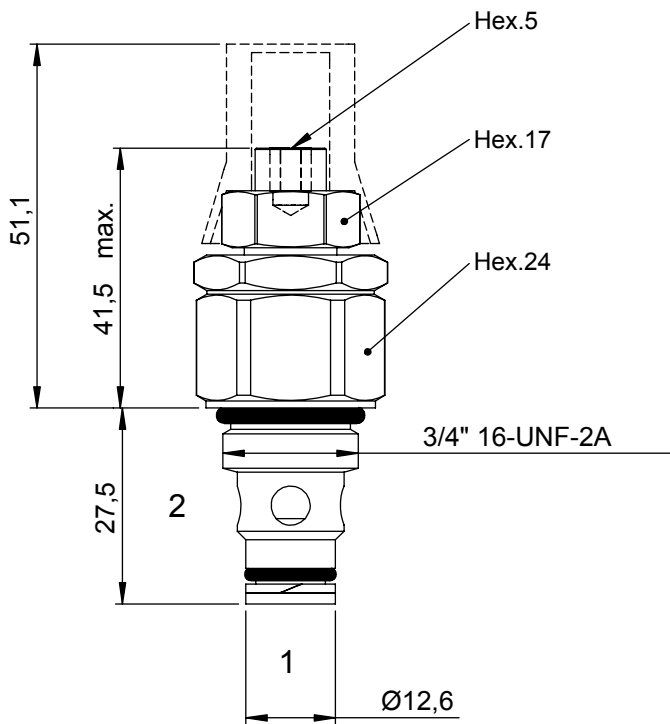
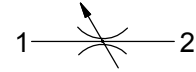


BIDIRECTIONAL FLOW CONTROL VALVE

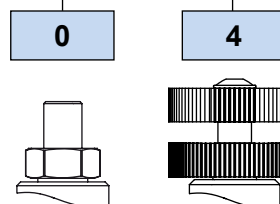
- Max Flow. **30 l/min**
- Max working pressure **350 bar**
- Seals **NBR**
- Cavity **C220000**
- Cartridge tightening torque. **40 Nm**
- Weight. **0,15 Kg**
- Tamper proof cap: **cod.4029250280**
- Adjustment range. **5 turns**



49

Ordering code

0 3 0 2 0 0 0 [] 0 1



Screw Handknob
Adjustments

