

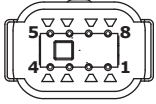
Control components

CJW CAN bus joystick

Dimensions and features

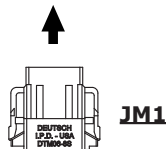
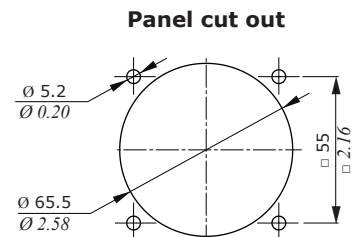
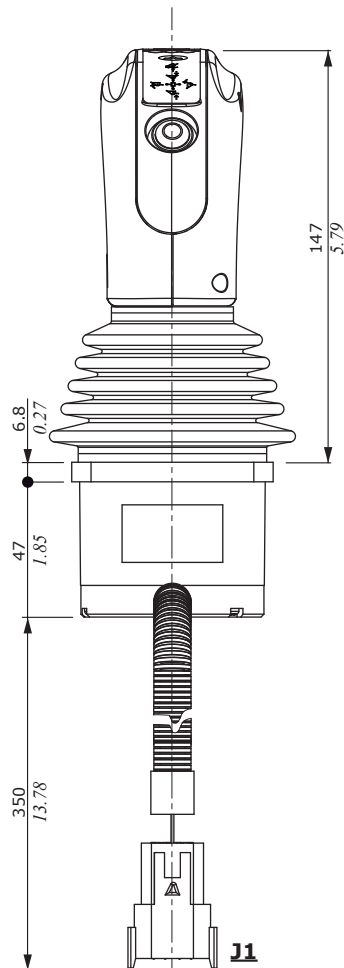
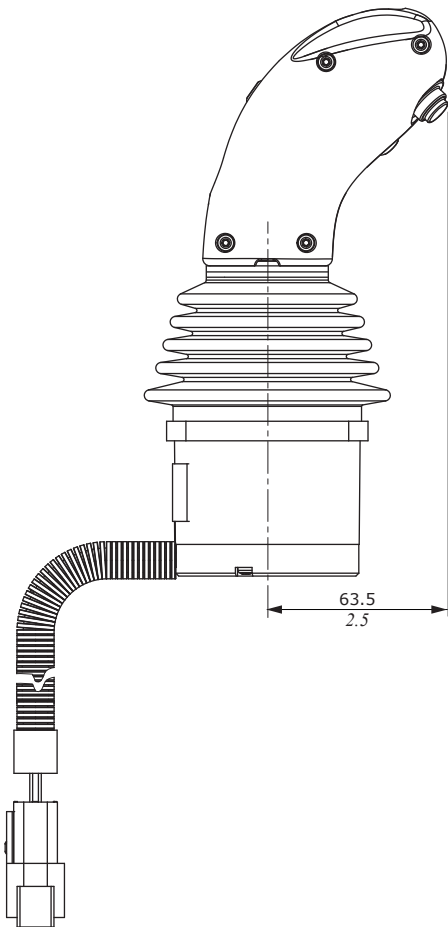
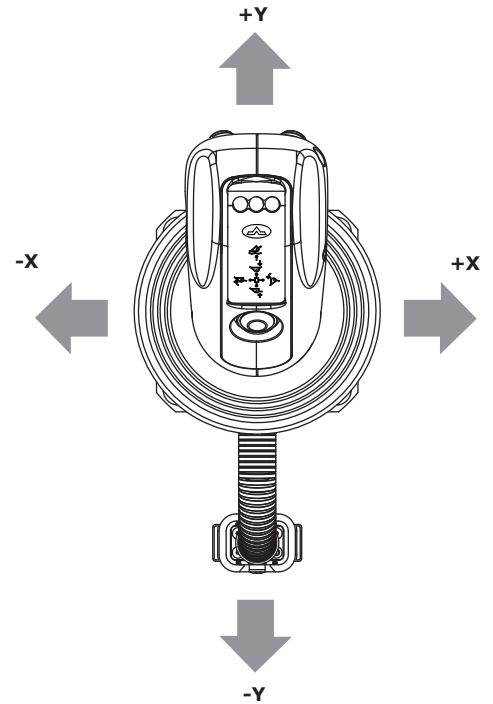
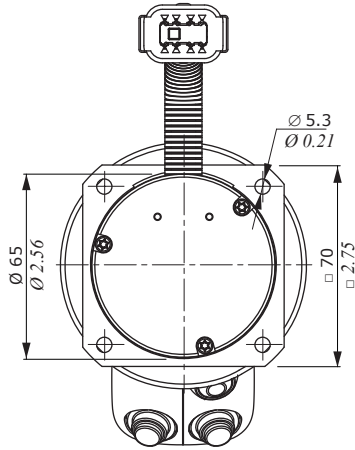
For configuration see page 14.

DTM04-8P
Deutsch connector
(nichel plated contacts)



J1 connector PIN-OUT

Pin	Function	Pin	Function
1	VJ+	5	Push-button P8
2	CAN_L	6	Push-button P6
3	CAN_H	7	VJ+
4	VJ-	8	plugged



Mating connector	
Name	Type
JM1	DTM06-8S Deutsch