

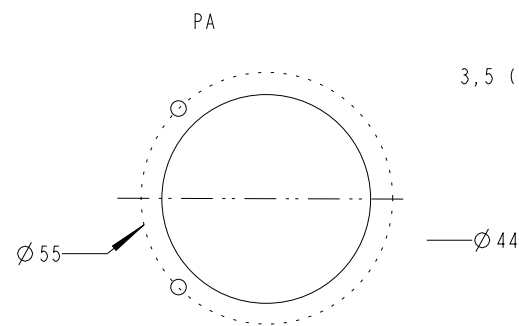
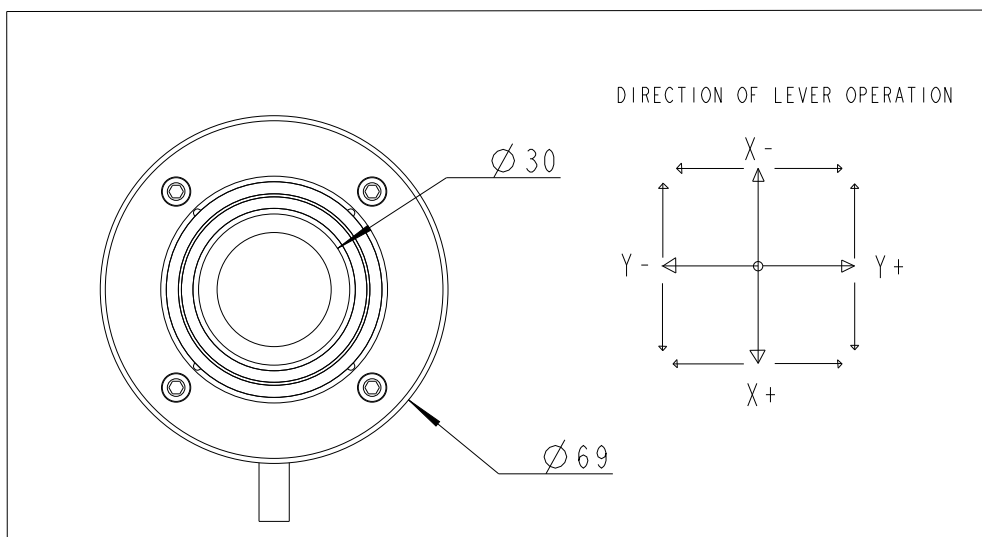
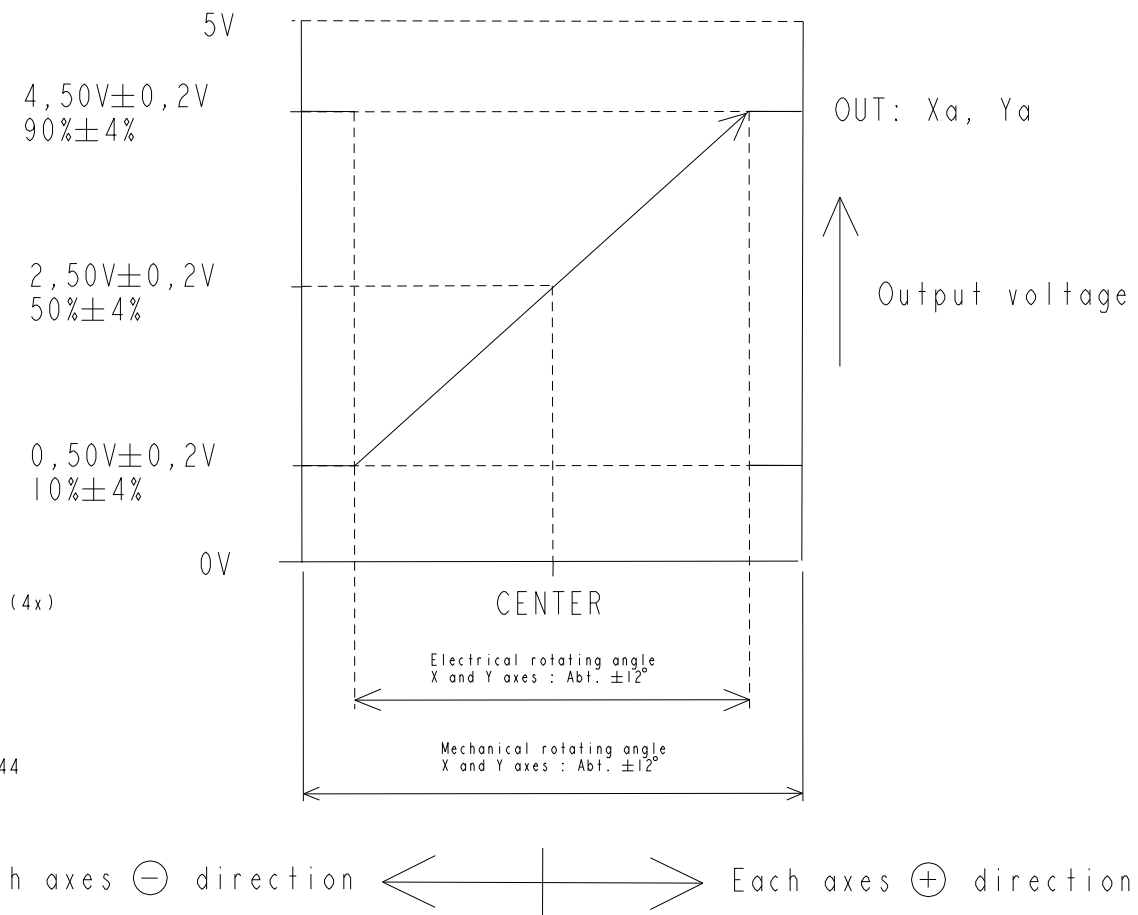
TERMINAL CONFIGURATION

Pin:	Function:	Color
1	+5VDC-X, Y	Red
2	GND-X, Y	Black
3	XA	White
4	YA	Blue
5	-	-
6	-	-

Contact: DTM04-06P

OUTPUT CHARACTERISTICS

SCALE 1:2



3,5 (4x)