



HYDRAULIC TOE JACK
“AU00518” “AU02015” “AU03015” “AU06015”
“AU02030” “AU03030” “AU06030”



LARZEP, S.A.

Avenida Urtiaga, 6
48269 MALLABIA, SPAIN
Tel. +34 943 171200
Fax. +34 943 174166
e-mail: sales@larzep.com
www.larzep.com

INDEX

1. BEFORE USING THE EQUIPMENT AND SECURITY----- 2
2. WARRANTY ----- 2
3. TECHNICAL FEATURES ----- 2
4. START-UP ----- 2
5. MAINTENANCE ----- 2
6. DECLARATION OF CONFORMITY ----- 3

ANNEX

❖ **DRAWING AND SPARE PART LIST**

1. BEFORE USING THE EQUIPMENT AND SECURITY



Read carefully the instruction manual and practice with the equipment before the application.

Use the protective devices such as goggles, boots and security gloves.



Do not exceed the 80% of nominal capacity of the equipment during its utilization. Make the operations in well-lighted and stable area and look for safety location to the operators.

- Block the load mechanically once the application is done avoiding the operation underneath.
- Use all the supporting area of the hydraulic jack as in the saddle as in the toe.
- Prevent the use of tilting saddles if the risk of side load is present.



Do not expose the equipment to intense heat sources such as welding.

Do the maintenance operations with free load equipments and in clean and well-lighted areas.

- Once the operation is finished, check for damages in the equipment, clean and store it in a safety way.
- A bad connection of the plugs, etc. could produce a bad function of the equipment and could create dangerous situations.
- Do not modify the equipment (welded parts, lever...) without manufacturer's consent. Do not use the hoses for transport operations.
- Before start any operation, make sure that: the installation is well done, the safety of the workstation for the operator and assure that no authorized personnel could access to the exposed area.
- Therefore the operator must be perfectly trained in the use of the equipment and acts under the logical security standards that the movement of heavy loads includes.

2. WARRANTY

LARZEP, S.A. guarantees its products against all design and manufacturing defects for the durations of two years from the date of purchase.

This guarantee does not include the ordinary wear of both metal and non-metal parts, abuse, using the equipment beyond its rated capacity and any wear or damage incurred as a result of using a hydraulic fluid which is not recommended by **LARZEP, S.A.** Please note that if the equipment is disassembled or serviced by anyone other than an authorized service dealer or by **LARZEP, S.A.**, this guarantee is rendered null and void.

In the event of a warranty claim, return the equipment, to **LARZEP, S.A.** or the authorized dealer which sold you the hydraulic equipment, **LARZEP, S.A.** will repair or replace the faulty equipment, whichever is deemed most appropriate. **LARZEP, S.A.** shall not be held liable for any consequential damages or losses, which may occur as a result of faulty equipment.

3. TECHNICAL FEATURES

MODELS	SADDLE CAPACITY	TOE CAPACITY	STROKE	TOE HEIGHT	COLLAPSED HEIGHT	WEIGHT
AU00518	5 ton	5 ton	178 mm	41 mm	330 mm	20,6 kg
AU02015	20 ton	8 ton	152 mm	67 mm	276 mm	14,5 kg
AU02030	20 ton	8 ton	305 mm	67 mm	452 mm	22,2 kg
AU03015	30 ton	12 ton	152 mm	73 mm	281 mm	20,3 kg
AU03030	30 ton	12 ton	305 mm	73 mm	470 mm	31,0 kg
AU06015	60 ton	24 ton	152 mm	73 mm	327 mm	43,1 kg
AU06030	60 ton	24 ton	305 mm	73 mm	533 mm	64,9 kg

4. START- UP

The **LARZEP** hydraulic toe jacks are compact, easy-handle and light-weighted for easy transport, especially suite to load elevation in confined spaces.

To start-up it is enough to introduce the lever in the back side of the jack, there are three positions to optimize the ergonomics, and pump several times until you reach the wished height.

To lower the load, you have to release the lever and find the release screw. Turn this screw in anticlockwise sense to return the piston and the load.

The return speed depends on the angle of turn initially. To avoid unwanted movements open it in small angle.

Release the lever after using the jack and store it with retracted piston and in vertical position.

5. MAINTENANCE

The jack works normally in environmental standard conditions, if the proposal temperatures are very extreme and they exceed the -20° or +50°C, consult the manufacturer.

Checking the oil level, release the dipstick and see for the level, it is labelled with the maximum of oil, never superior to 5 mm by excess or defect of this mark. Use hydraulic oil of high quality HVI ISO32 viscosity; make sure that is not dirty inside the oil we must add to the jack.

6. DECLARATION OF CONFORMITY**DECLARACION DE CONFORMIDAD**

E LARZEP, S.A.
Dirección: Avda. Urtiaga, 6
48269 Mallabia ESPAÑA
Declaramos bajo nuestra exclusiva responsabilidad la conformidad de los productos a los que refiere esta declaración, con las disposiciones de la directiva: 2006/42/CE

DECLARATION DE CONFORMITE

F Nous, LARZEP, S.A.
Adresse: Avda. Urtiaga, 6
48269 Mallabia SPAIN
Déclarons sous notre seule responsabilité que les produits auxquels se réfère cette déclaration sont conformes aux dispositions des Directives: 2006/42/EC

DECLARAÇÃO DE CONFORMIDADE

P Nós, LARZEP, S.A.
Endereço: Avda. Urtiaga, 6
48269 Mallabia SPAIN
Declaramos, sob nossa única responsabilidade, que os seguintes produtos, incluídos nesta declaração estão em conformidade com o disposto na Directiva: 2006/42/EC

ÖVERENSSTEMMELSEERKLÄRING

DK Vi, LARZEP, S.A.
Adresse: Avda. Urtiaga, 6
48269 Mallabia SPAIN
Erklærer på eget ansvar, at følgende produkter som er omfattet af denne erklæringen, er i overensstemmelse med bestemmelsene i Direktiv: 2006/42/EC

ERKLÆRINGOM OVERENSSTEMMELSE

N Vi, LARZEP, S.A.
Adresse: Avda. Urtiaga, 6
48269 Mallabia SPAIN
Erklærer på eget ansvar, at følgende produkter som dekkes av denne erklæringen, er i overensstemmelse med estemmelsene i Direktiv: 2006/42/EC

ÜBEREINSTIMMUNGSERKLÄRUNG

D Wir, LARZEP, S.A.
Anschrift: Avda. Urtiaga, 6
48269 Mallabia SPAIN
Erklären auf eigene Verantwortung, daß folgende Produkte, auf die sich diese Erklärung bezieht, mit den Bedingungen der Direktiven, 2006/42/EC Cübereinstimmen.

DECLARATION OF CONFORMITY

GB We, LARZEP, S.A.
Address: Avda. Urtiaga, 6
48269 Mallabia SPAIN
Declare under our sole responsibility that the following products to which this declaration relates conform with the provisions of Directives: 2006/42/EC

DICHIARAZIONE DI CONFORMITÀ

I Noi, LARZEP, S.A.
Indirizzo: Avda. Urtiaga, 6
48269 Mallabia SPAIN
Dichiariamo sotto la nostra esclusiva responsabilità che i prodotti ai quali questa dichiarazione si riferisce sono conformi quanto previsto dalle Direttive: 2006/42/EC

VAATIMUSTEMUKAISUUSVAKUUTUS.

FIN Me, LARZEP, S.A.
Osoite: Avda. Urtiaga, 6
48269 Mallabia SPAIN
Vakuutamme yksinomaan omalla vastuullamme, että seuraavat tuotteet, joihin tämä vakuutus liittyy, ovat seuraavien Direktiivien vaatimusten mukaisia: 2006/42/EC

VERKLARINGVAN OVEREENKOMST.

NL Wij, LARZEP, S.A.
Adres: Avda. Urtiaga, 6
48269 Mallabia SPAIN
Verklaren geheel onder eigen verantwoordelijkheid dat de volgende producten, waarop deze verklaring heeft in overeenstemming zijn met de bepalingen van Richtlijn: 2006/42/EC

FÖRSÄKRAN OM ÖVERESSTÄMMELSE

S Vi, LARZEP, S.A.
Adress: Avda. Urtiaga, 6
48269 Mallabia SPAIN
Försäkrar under eget ansvar att följande produkter som omfattas av denna försäkran är i överensstämmelse med villkoren i Direktiv: 2006/42/EC

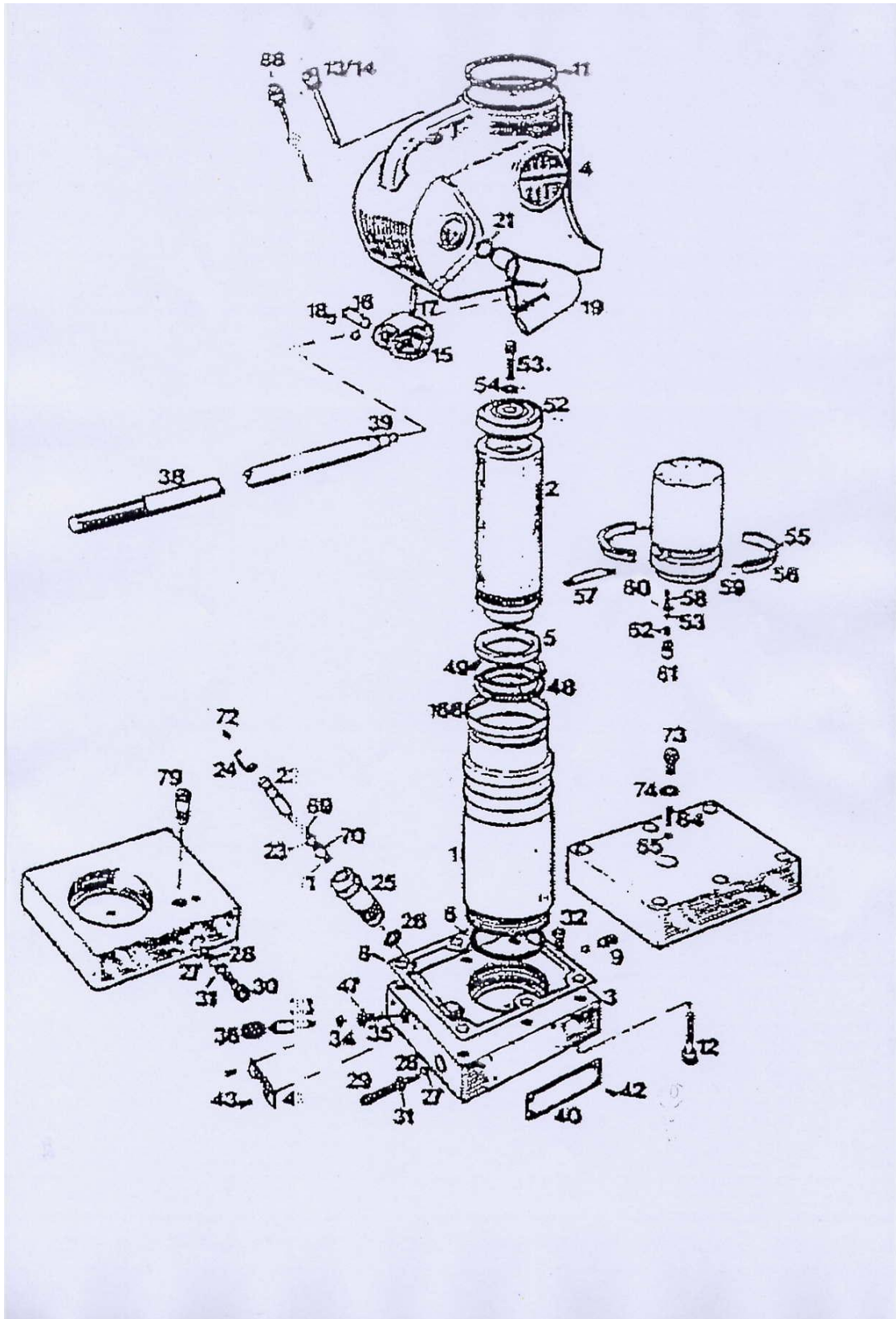
Tipo, Type, Typ, Tyyppi.

SM / SH / SP / SMP / SPR / SX / SMX / ST / STR / STX / SL / SAM / SAH / SAT / SATM / SSR / T / TE / TD / D / DH / DDR / DAH / DDA / DM / DI / JM / JH / JP / Z / ZR / W / WP / X / HAM / HAE / HAZ / HAG / HAS / HFM / HFE / HAP / HAT / HAB / WI / CK / CC / CN / FU / FV / FZ / FA / CY / AA / AU / CT / C / KC / LAS / LAX**A / AB / AC / B / AF / F / HN / HL / DLG / VA / VB / VC / VZ / ECE / ECM / ECZ / EE / EM / EZ / CA / CS****AZ / AP / AR / AV / AS / AT / AX / AY / AM****LARZEP, S.A.**Mallabia, ESPAÑA 2009 / 12 / 29

Lugar y fecha, place and date, lieu et date, plats och datum, paikka ja päivämäärä, udstedelsessted og-dato, ort und datum, plaats en datum, local e data, luogo e data.

Nombre y firma, name and signature, nom et signature, namn och underskrift, nimi ja nimikirjoitus, navn og underskrift, name und underskrift, naam en handtekening, nome e assinatura, nome e firma.

GENERAL SPARE PARTS "AU02015" "AU03015" "AU06015" "AU02030" "AU03030" "AU06030"



Nº	DESCRIPTION
1	LINER
2	RAM
3	BASE
4	CISTERN
5	RAM PACKING
6	LINER SEAL
8	CISTERN JOINT
9	BASE PLUG
10	BASE PLUG BALL
11	CISTERN SEAL
12	CISTERN SCREWS
13	FILLER SCREW
14	DIPSTICK
15	TUMBLER
16	TUMBLER ROLLER
17	TUMBLER PIN
18	TUMBLER ROLLER CIRCLIP
19	PUMP QUADRANT SHAFT
21	QUADRANT SHAFT SEAL
22	PUMP PLUNGER
23	PUMP PLUNGER SEAL
24	PUMP PLUNGER CLIP
25	PUMP BARREL
26	PUMP BARREL JOINT
27	VALVE BALLS
28	VALVE SPRINGS
29	SUCTION VALVE SCREW
30	DELIVERY VALVE SCREW
31	VALVE SCREW JOINT
32	SUCTION FILTER
33	RELEASE VALVE
34	RELEASE VALVE SEAL
35	RELEASE VALVE SPRING
36	RELEASE VALVE SCREW
37	CISTERN BREATHER PIPE
38	OPERATING LEVER
39	OPERATING LEVER KEY
40	NAME PLATE
41	RELEASE VALVE INST.PLATE
42	NAME PLATE SCREW ROUNDHEAD
43	RELEASE VALVE SCREW
46	RETAINING NUT FOR SCREWED RAM MODELS
48	RAM WIPER
48 A	RAM SCRAPER RING
49	RAM WIPER RET.RING
52	RAM CAP

Nº	DESCRIPTION
53	RAM CAP SCREW
54	RAM CAP SCREW LOCKING WASHER
55	RETAINING PIN
56	CONTROL RING
57	TRIP BAR
58	TRIP PIN
59	SPRING FOR CONTROL RING
60	SEATING FOR VALVE
61	TRIP VALVE CAGE
62	TRIP VALVE SPRING
63	TRIP VALVE BALL
64	PLUG SCREW
65	SEAL WASHER
69	PUMP PACKING ANTIEXTRUSION RING
70	PUMP PACKING RETAINING SLEEVE
71	PUMP PACKING CIRCLIP
72	PLUNGER CLIP
73	PLUG SCREW
74	SEAL WASHER
79	RELIEF VALVE SUB-ASSEMBLY
88	BREATHER VALVE ASSEMBLY
166	RUBBER GAITER
173	RAM PACKING ANTIEXTRUSION RING (NOT ILLUSTRATED)
174	RAM LINE SEAL
175	TRIP VALVE CAGE
176	VALVE SUPPORT WIRE
178	RELEASE BALL CARRIER
179	TRIP VALVE BALL
180	RELIEF VALVE BODY SEAL
181	TRIP VALVE PLUNGER SEAL
182	TRIP VALVE PLUNGER
186	RELIEF VALVE ANTIEXTRUSION RING

SPARE PART "AU00518"

