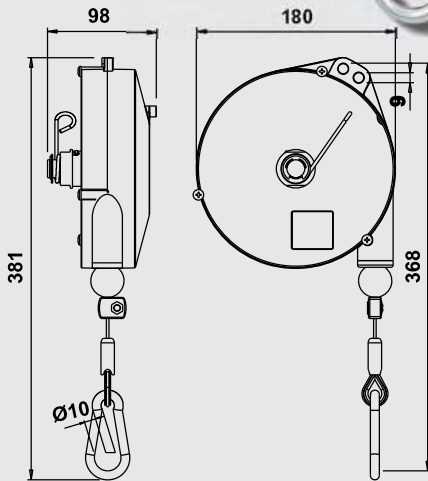


9346 ÷ 9350



7
2500 mm
2÷14 kg

In addition to the features of the former range, the new balancers are equipped with a new device enabling to stop the stroke by carrying out a simple operation on the load.

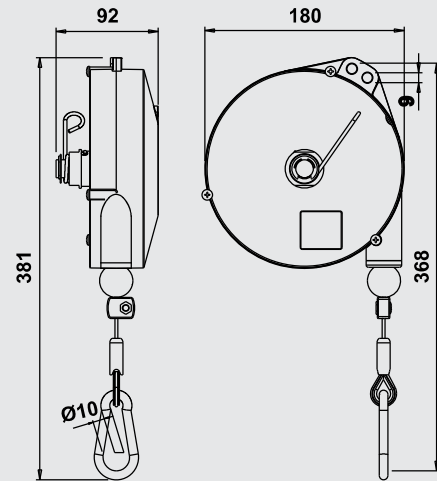


	9346	9347	9348	9349	9350
Capacity	2÷4	4÷6	6÷8	8÷10	10÷14
Weight	3	3,3	3,6	3,8	4
Stroke	2500 mm				
Cable	Inox				
Body	Aluminium				

9336NY ÷ 9340NY



8
2500 mm
2÷14 kg



	9336NY	9337NY	9338NY	9339NY	9340NY
Capacity	2÷4	4÷6	6÷8	8÷10	10÷14
Weight	2,9	3,2	3,5	3,7	4
Stroke	2500 mm				
Cable	Dyneema®				
Body	Aluminium				