



**VALVOLA DI BLOCCO PILOTATA SEMPLICE EFFETTO
IN LINEA CON RUBINETTO (DESTRA)**

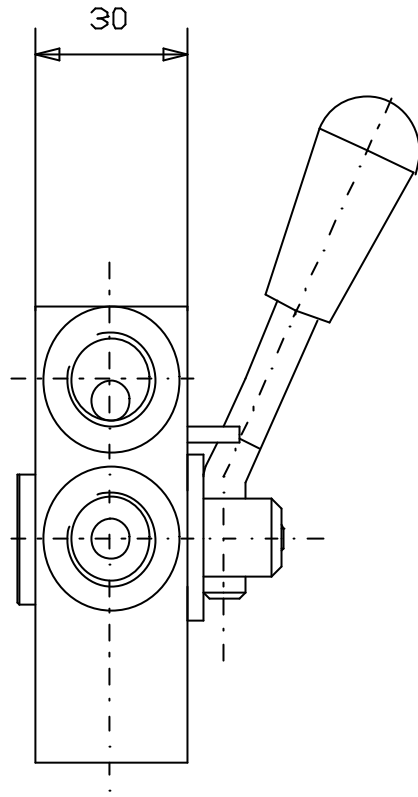
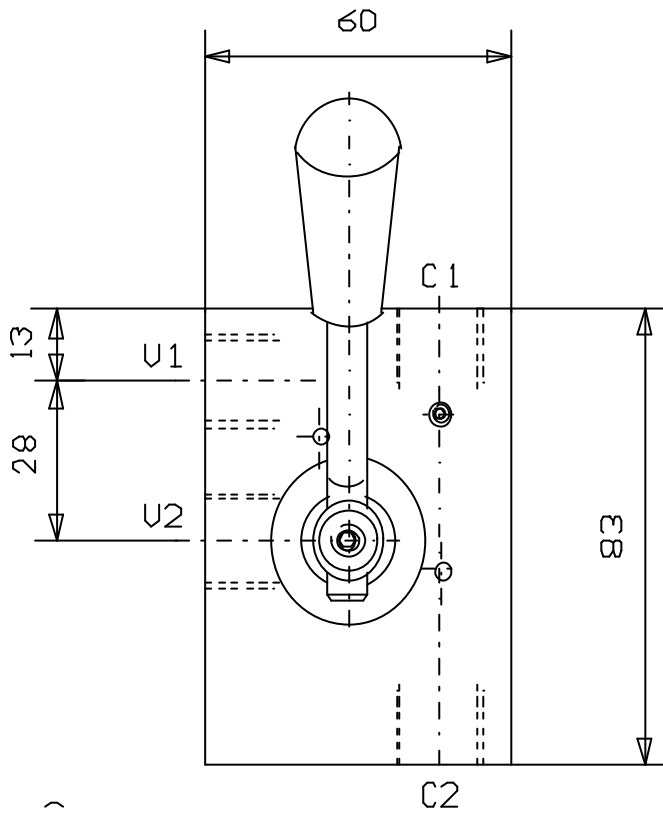
PILOT OPERATED CHECK VALVES, INTERNAL PILOT, OPERATED TYPE, SINGLE ACTING,
WITH MANUAL LEVER CONTROL (RH/LH), FACE MOUNTING

Tipo/Type:

VUPR/D 38

1

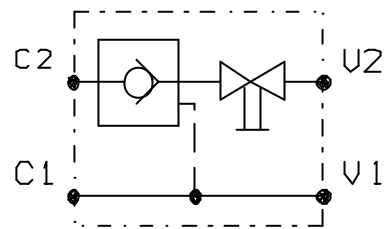
15.00



Pressione - Pressure Δp (Bar)



Portata - Flow Q (l/min)



U1 - C1 U2 - C2	Press. max. (Bar)	Apertura (Bar)	Rapp. pilot.
G 3/8	350	0.5 4	4:1