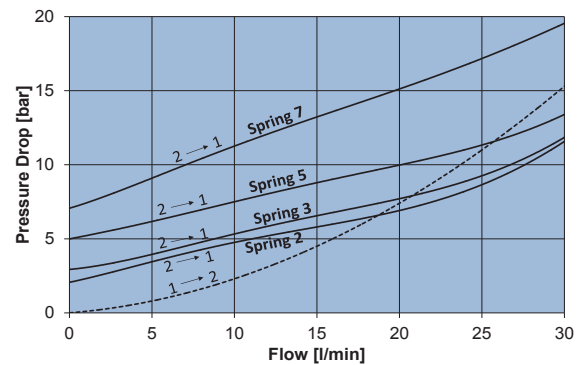
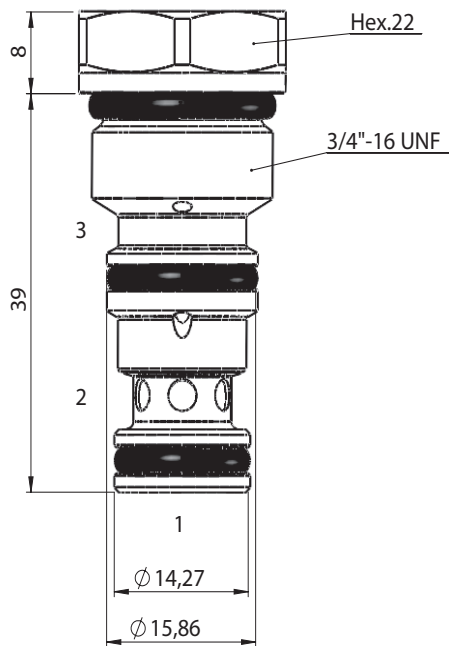
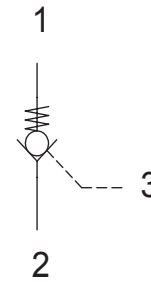


**PILOT OPERATED CHECK VALVE**

- Max Flow ..... **30 l/min**
- Max working pressure ..... **350 bar**
- Seals ..... **NBR and PTFE**
- Leakage ..... **0,1 cc/min @ 350 bar**
- Cartridge tightening torque ..... **40 Nm**
- Weight ..... **0,075 Kg**
- Cavity ..... **C321000** page 219
- Body single cavity ..... **172212** page 188
- Body double cavity ..... **176212** page 189



**Ordering code**

**0 7 2 2 2**       **0 1**

SEALS		SPRINGS				PILOT RATIO	
<b>1</b>	Without seals	<b>2</b>	<b>3</b>	<b>5</b>	<b>7</b>	<b>1</b>	<b>3:1</b>
<b>2</b>	With seals	Cracking pressure [bar]	2	3	5		

