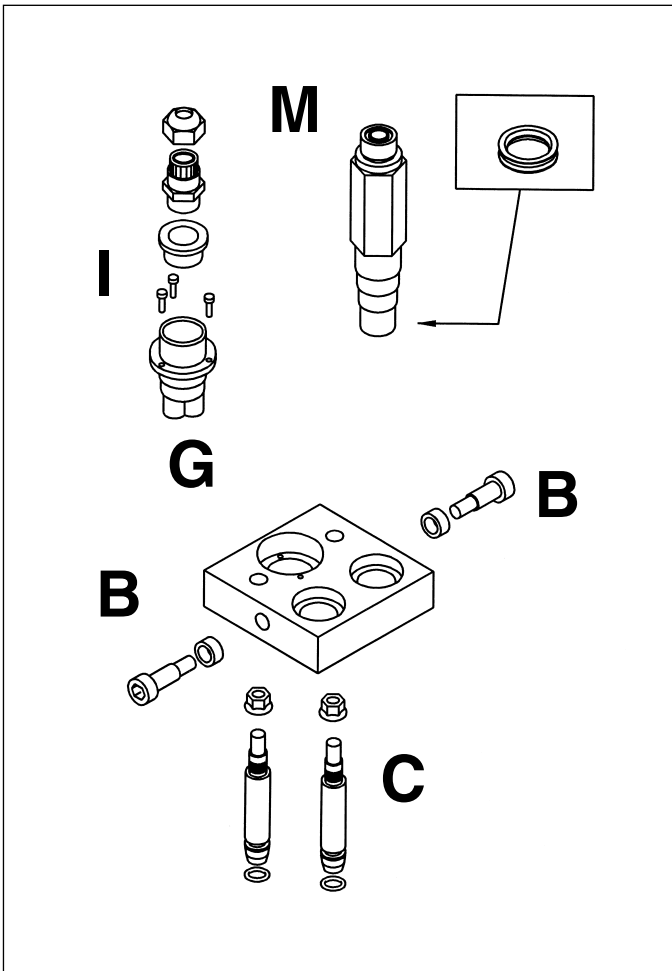


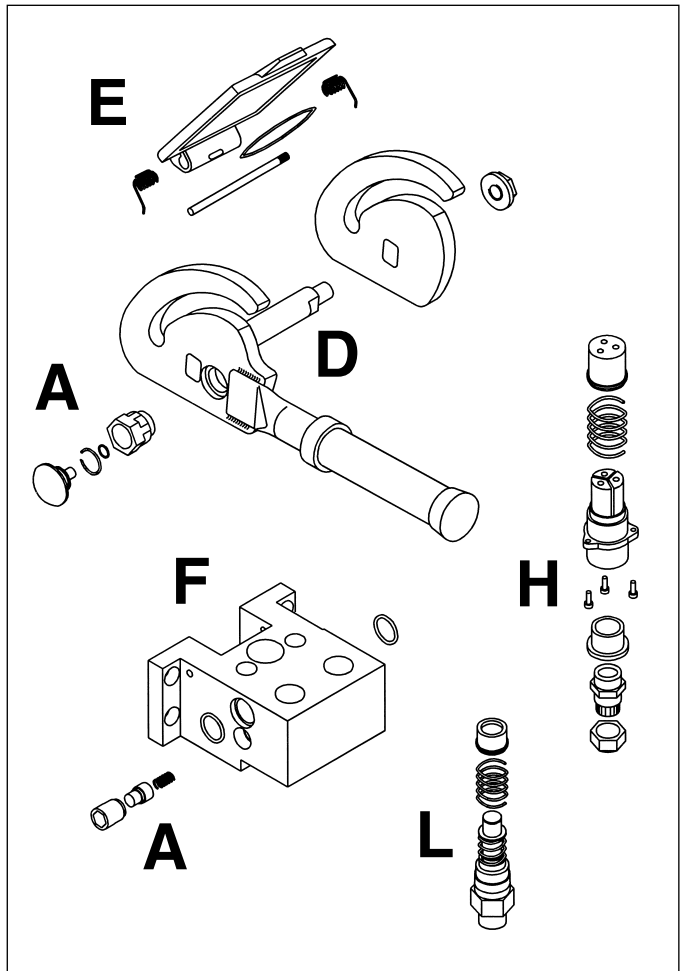
► **Spare parts**

In case MULTIFASTER components are damaged due to wear or other causes, it is possible to replace them with original FASTER® spare parts. Detailed instructions are included to achieve the correct replacement of damaged parts. Please refer to following drawings and tables for ordering codes.

► **Mobile part**



► **Fixed part**



Spare parts
► For complete codes see at pages 27-28

► Spare parts

MULTIFASTER	Series		A	B	C	D	E	F	G+C+B	H		I		A+B+D+E+F
	Safety kit		Screw	Dowel + nut	Lever	Automatic dust cap	Fixed block part	Mobile block part	Electrical connections for fixed part		Electrical connections for mobile part		Fixed half without couplings	
	2P	3P	3 poles	7 poles	3 poles	7 poles								
-	3P112	KIT SP5 S	KIT VP116	KIT GP4	KIT LP112	KIT TAP2	KIT P112 F	KIT P112 M	-	-	-	-	KIT P112 F L	
-	3P116	KIT SP5 S	KIT VP116	KIT GP4	KIT LP116	KIT TAP2	KIT P116 F	KIT P116 M	-	-	-	-	KIT P116 F L	
-	3P124	KIT SP5 S	KIT VP124	KIT GP1	KIT LP124	KIT TAP608	KIT P124 F	KIT P124 M	-	-	-	-	KIT P124 F L	
2P206	3P206	KIT SP5	KIT VP4	KIT GP4	KIT LP206	KIT TAP2	KIT P206 F	KIT P206 M	-	-	-	-	KIT P206 F L	
2P208	3P208	KIT SP5	KIT VP8	KIT GP4	KIT LP208	KIT TAP2	KIT P208 F	KIT P208 M	KIT SPEL 08-3 F	KIT SPEL 08-7 F	KIT SPEL 08-3 M	KIT SPEL 08-7 M	KIT P208 F L	
2PB06	3PB06	KIT SP5 S	KIT VPB06	KIT GP4	KIT LPB06	KIT TAPB06	KIT PB06 F	KIT PB06 M	-	-	-	-	KIT PB06 F L	
2P306	3P306	KIT SP5	KIT VP8	KIT GP4	KIT LP208	KIT TAP2	KIT P306 F	KIT P306 M	KIT SPEL 08-3 F	KIT SPEL 08-7 F	KIT SPEL 08-3 M	KIT SPEL 08-7 M	KIT P306 F L	
-	3P316	KIT SP5 S	KIT VP8	KIT GP4	KIT LPS08	KIT TAP8	KIT P316 F	KIT P316 M	-	-	-	-	KIT P316 F L	
2P404	-	KIT SP5 S	KIT VP8	KIT GP4	KIT L3P306	KIT TAP2	KIT P404 F	KIT P404 M	-	-	-	-	KIT P404 F L	
2P505	3P505	KIT SP5 S	KIT VP4	KIT GP4	KIT LP505	KIT TAP2	KIT P505 F	KIT P505 M	-	-	-	-	KIT P505 F L	
2P506	3P506	KIT SP5	KIT VP4	KIT GP4	KIT LP506	KIT TAP5	KIT P506 F	KIT P506 M	-	-	-	-	KIT P506 F L	
2P506-1	3P506-1	KIT SP5	KIT VP8	KIT GP4	KIT LP506-1	KIT TAP5	KIT P506-1 F	KIT P506-1 M	KIT SPEL 08-3 F	KIT SPEL 08-7 F	KIT SPEL 08-3 M	KIT SPEL 08-7 M	KIT P506-1 F L	
2P5066	3P5066	KIT SP5 S	KIT VP8	KIT GP4	KIT LP508	KIT TAP5	KIT P5066 F	KIT P5066 M	-	-	-	-	KIT P5066 F L	
2P5068	3P5068	KIT SP5	KIT VP8	KIT GP4	KIT LP508	KIT TAP5	KIT P5068 F	KIT P5068 M	-	-	-	-	KIT P5068 F L	
2P508	3P508	KIT SP5	KIT VP8	KIT GP4	KIT LP508	KIT TAP5	KIT P508 F	KIT P508 M	KIT SPEL 08-3 F	KIT SPEL 08-7 F	KIT SPEL 08-3 M	KIT SPEL 08-7 M	KIT P508 F L	
2P510	3P510	KIT SP5	KIT VP8	KIT GP4	KIT LP510	KIT TAP5	KIT P510 F	KIT P510 M	KIT SPEL 08-3 F	KIT SPEL 08-7 F	KIT SPEL 08-3 M	KIT SPEL 08-7 M	KIT P510 F L	
2P606	3P606	KIT SP5	KIT VP4	KIT GP4	KIT LP606	KIT TAP6	KIT P606 F	KIT P606 M	-	-	-	-	KIT P606 F L	
2P608	3P608	KIT SP5	KIT VP8	KIT GP4	KIT LP608	KIT TAP608	KIT P608 F	KIT P608 M	KIT SPEL 08-3 F	KIT SPEL 08-7 F	KIT SPEL 08-3 M	KIT SPEL 08-7 M	KIT P608 F L	
2P808	3P808	KIT SP5	KIT VP8	KIT GP8	KIT LP808	KIT TAP8	KIT P808 F	KIT P808 M	KIT SPEL 08-3 F	KIT SPEL 08-7 F	KIT SPEL 08-3 M	KIT SPEL 08-7 M	KIT P808 F L	
2P1004	-	KIT SP5 S	KIT VP8	KIT GP4	KIT LP808	KIT TAP8	KIT P1004 F	KIT P1004 M	-	-	-	-	KIT P1004 F L	
2P10A	-	KIT SP5 S	KIT VP8	KIT GP4	KIT LP10A	KIT TAP8	KIT P10A F	KIT P10A M	KIT SPEL 08-3 F	KIT SPEL 08-7 F	KIT SPEL 08-3 M	KIT SPEL 08-7 M	KIT P10A F L	
2P12A	3P12A	KIT SP5	KIT VP8	KIT GP4	KIT LP808	KIT TAP12A	KIT P12A F	KIT P12A M	KIT SPEL 08-3 F	KIT SPEL 08-7 F	KIT SPEL 08-3 M	KIT SPEL 08-7 M	KIT P12A F L	
2PS06	3PS06	KIT SP5	KIT VP4	KIT GP4	KIT LP606	KIT TAP6	KIT PS06 F	KIT PS06 M	-	-	-	-	KIT PS06 F L	
2PS06-1	3PS06-1	KIT SP5	KIT VP4	KIT GP4	KIT LP606	KIT TAP6	KIT PS06-0 F	KIT PS06-0 M	KIT SPEL 08-3 FS	KIT SPEL 08-7 FS	KIT SPEL 08-3 MS	KIT SPEL 08-7 MS	KIT PS06-0 F L	
2PS08	3PS08	KIT SP5	KIT VP8	KIT GP4	KIT LPS08	KIT TAP6	KIT PS08 F	KIT PS08 M	KIT SPEL 08-3 F	KIT SPEL 08-7 F	KIT SPEL 08-3 M	KIT SPEL 08-7 M	KIT PS08 F L	
-	3PD06	KIT SP5	KIT VP4	KIT GP4	KIT LPD06	KIT TAPD06	KIT PD06 F	KIT PD06 M	-	-	-	-	KIT PD06 F L	
-	3PW06	KIT SP5 S	KIT VP4	KIT GP4	KIT LPW06	KIT TAPD06	KIT PW06 F	KIT PW06 M	-	-	-	-	KIT PW06 F L	
2PA06	3PA06	KIT SP5	KIT VPA 06	KIT GP4	KIT LPA06	-	KIT PA06 F	KIT PA06 M	-	-	-	-	KIT PA06 F L	
-	3P6S1	KIT SP5	KIT VP8	KIT GP4	KIT LP6S1	KIT TAP6S1	KIT P6S1 F	KIT P6S1 M	KIT SPEL 32-31 F	(31 poles)	KIT SPEL 32-31 M	(31 poles)	KIT P6S1 F L	
-	3P5S1	KIT SP5	KIT VP116	KIT GP8	KIT LP5S1	KIT TAP8	KIT P5S1 F	KIT P5S1 M	-	-	-	-	KIT P5S1 F L	
2P5S3	-	KIT SP5	KIT VP4	KIT GP4	KIT LP506	KIT TAP5S3	KIT P5S3 F	KIT P5S3 M	-	-	-	-	KIT P5S3 F L	

Special couplings for Shunt		
Size	Code	
06	3/8"	KIT 2FNR 38...F
08	1/2"	KIT 2FNR 12...F
Shunt spare		
KIT GDP		

Spare seals for the male coupling		
Size	Code	
04	1/4"	KIT 2FFNP14 M
06	3/8"	KIT 2FFNP38 M
08	1/2"	KIT 2FFNP12 M
12	3/4"	KIT 2FFNP34 M
16	1"	KIT 2FFNP1 M
24	1 1/2"	KIT 2FFNP112 M

Threaded end	Size	Ø A	L Female coupling 2P Series	M Male coupling 2P Series	M Male coupling 3P Series
	04 (1/4")	1/4" BSP	KIT2FNB14GAS F	KIT2FNP14GAS M	-
	06 (3/8")	3/8" BSP	KIT2FNB38GAS F	KIT2FNP38GASM	KIT3FNP38GAS M
		1/2" BSP	KIT2FNB38-12G F	KIT2FNP38-12GM	KIT3FNP38-12G M
		3/8" NPT	KIT2FNB38NPT F	KIT2FNP38NPT M	* KIT3FNP38NPT M
		1/2" NPT	KIT2FNB38-12N F	KIT2FNP38-12NM	* KIT3FNP38-12N M
	08 (1/2")	1/2" BSP	KIT2FNB12GAS F	KIT2FNP12GAS M	KIT3FNP12GAS M
		3/4" BSP	KIT2FNB12-34GF	KIT2FNP12-34G M	* KIT3FNP12-34G M
1/2" NPT		KIT2FNB12NPT F	KIT2FNP12NPT M	* KIT3FNP12NPT M	
12 (3/4")	3/4" NPT	* KIT2FNB12-34N F	* KIT2FNP12-34N M	* KIT3FNP12-34N M	
	3/4" BSP	KIT2FNB34GAS F	KIT2FNP34GAS M	KIT3FNP34GAS M	
	1" BSP	KIT2FNB34-1G F	KIT2FNP34-1G M	* KIT3FNP34-1G M	
	3/4" NPT	KIT2FNB34NPT F	KIT2FNP34NPT M	* KIT3FNP34NPT M	
16 (1")	1" NPT	* KIT2FNB34-1N F	* KIT2FNP34-1N M	* KIT3FNP34-1N M	
	1" BSP	KIT2FNB1GAS F	* KIT2FNP1GAS M	KIT3FNP1GAS M	
24 (1 1/2")	1 1/2" BSP	KIT2FNB112 GAS F	* KIT2FNP112 GAS M	* KIT3FNP112 GAS M	
	04 (1/4")	7/16" UNF	* KIT2FNB14SAE F	* KIT2FNP14SAE M	-
	06 (3/8")	7/16" UNF	* KIT2FNB38-14SF	* KIT2FNP38-14SM	* KIT3FNP38-14SM
		9/16" UNF	KIT2FNB38-38SF	* KIT2FNP38-38SM	KIT3FNP38-38SM
	08 (1/2")	3/4" UNF	KIT2FNB38-12SF	KIT2FNP38-12SM	KIT3FNP38-12SM
		1 1/16" UN	KIT2FNB12-12SF	KIT2FNP12-12SM	* KIT3FNP12-12SM
	12 (3/4")	1 1/16" UN	KIT2FNB12-34SF	KIT2FNP12-34SM	* KIT3FNP12-34SM
		1 5/16" UN	* KIT2FNB34-34SF	* KIT2FNP34-34SM	* KIT3FNP34-34SM
16 (1")	1 5/16" UN	* KIT2FNB34-1SF	* KIT2FNP34-1SM	* KIT3FNP34-1SM	
24 (1 1/2")	1 7/8" UN	KIT2FNB1-1S F	* KIT2FNP1-1S M	KIT3FNP1S M	
	06 (3/8")	3/4" UNF	* KIT2FNB112S F	* KIT2FNP112S M	* KIT3FNP112S M
	06 (3/8")	3/4" UNF	* KIT2FNB381/12SF	* KIT2FNP381/12S	* KIT3FNP381/12S
	04 (1/4")	M16x1,5	* KIT2FNB14-2/16	* KIT2FNP14-2/16	-
	06 (3/8")	M14x1,5	* KIT2FNB38-2/14F	* KIT2FNP38-2/14M	* KIT3FNP38-2/14M
		M16x1,5	* KIT2FNB38-2/16F	* KIT2FNP38-2/16M	* KIT3FNP38-2/16M
		M18x1,5	KIT2FNB38-2/18F	KIT2FNP38-2/18M	KIT3FNP38-2/18M
		M22x1,5	KIT2FNB38-2/22F	KIT2FNP38-2/22M	KIT3FNP38-2/22M
	08 (1/2")	M18x1,5	KIT2FNB12-2/18F	KIT2FNP12-2/18M	KIT3FNP12-2/18M
		M22x1,5	KIT2FNB12-2/22F	KIT2FNP12-2/22M	KIT3FNP12-2/22M
12 (3/4")	M26x1,5	* KIT2FNB12-2/26F	* KIT2FNP12-2/26M	* KIT3FNP12-2/26M	
16 (1")	M30x2	* KIT2FNB34-2/30F	* KIT2FNP34-2/30M	* KIT3FNP34-2/30M	
24 (1 1/2")	M36x2	* KIT2FNB1-2/30	* KIT2FNP1-2/30	* KIT3FNP1-2/30	
24 (1 1/2")	M36x2	* KIT2FNB1122/36	* KIT2FNP1122/36	* KIT3FNP1122/36	
	04 (1/4")	M20x1,5	* KIT2FNB14-3/20	* KIT2FNP14-3/20	-
	08 (1/2")	M24x1,5	KIT2FNB12-3/24F	KIT2FNP12-3/24M	KIT3FNP12-3/24M
		M30x2	* KIT2FNB12-3/30F	* KIT2FNP12-3/30M	* KIT3FNP12-3/30M
	12 (3/4")	M30x2	KIT2FNB34-3/30F	KIT2FNP34-3/30M	KIT3FNP34-3/30M
		M36x2	* KIT2FNB34-3/36F	* KIT2FNP34-3/36M	* KIT3FNP34-3/36M
16 (1")	M36x2	* KIT2FNB1-3/36	* KIT2FNP1-3/36	* KIT3FNP1-3/36	
24 (1 1/2")	M42x2	* KIT2FNB1123/42	* KIT2FNP1123/42	* KIT3FNP1123/42	
	04 (1/4")	9/16" UNF	* KIT2FNB1411/14S	* KIT2FNP1411/14S	-
	06 (3/8")	9/16" UNF	KIT2FNB3811/14S	KIT2FNP3811/14S	* KIT3FNP3811/14S
		11/16" UN	KIT2FNB3811/38S	* KIT2FNP3811/38S	KIT3FNP3811/38S
		13/16" UN	KIT2FNB3811/12S	KIT2FNP3811/12S	KIT3FNP3811/12S
	08 (1/2")	13/16" UN	KIT2FNB1211/12S	KIT2FNP1211/12S	KIT3FNP1211/12S
		1" UNS	KIT2FNB1211/58S	KIT2FNP1211/58S	KIT3FNP1211/58S
	12 (3/4")	13/16" UN	* KIT2FNB3411/12S	* KIT2FNP3411/12S	* KIT3FNP3411/12S
1" UNS		* KIT 2FNB3411/58S	* KIT2FNP3411/58S	* KIT3FNP3411/58S	
16 (1")	1 7/16" UN	KIT2FNB1-11/1S F	* KIT2FNP1-11/1S M	KIT3FNP1-11/1S M	
24 (1 1/2")	1 11/16" UN	KIT2FNB11211/MS	* KIT2FNP11211/MS	KIT3FNP11211/MS	
	04 (1/4")	3/8" BSP	* KIT2FNB1420/38G	KIT2FNP1420/38G	-
	06 (3/8")	1/2" BSP	* KIT2FNB3820/12G	KIT2FNP3820/12G	KIT3FNP3820/12G

For threads not included in the above table please contact **Faster Research & Development Dept.**

The descriptions and illustrations in this catalogue are for information only and not binding.

► **ELECTRICAL CONNECTIONS**

Unique part structure of the electrical connection female preserves the planarity of the **MULTIFASTER** fixed part. This feature provides an easy cleaning operation and prevents dirt and/or impurities inclusion. These electrical connections (socket+plug) have been specifically designed by **FASTER Research & Development Dept.** for use with **MULTIFASTER** Series.



► **SPEL 08-3**

- Their main features are:
- Insertion in arranged seats 1/2" **MULTIFASTER** system (see "Q" Table page 24).
 - Particular gilt shape of male electrical connections (plug) on fixed half, ensures an excellent contact surface.
 - Guaranteed for 10.000 connections.
 - Standard cable terminal according to DIN 46247 4.8 Series.
 - Other terminals are available as shown in the Table 1.
 - **Ask to FASTER Research & Development Dept.**
 - 3 poles 25 Ampere completely insulated.
 - Insulating pressing cable for each electrical connection.
 - Voltage max. 48 V DC.



► **SPEL 08-7**

- Like 3 poles electrical connections they are arranged in 1/2" size seats.
- Main features:
- Connections to electrical cables to be pressure assembled.
 - Electrical contacts made of special brass.
 - 7 poles 13 Ampere completely insulated.
 - Guaranteed for 10.000 connections.
 - Insulating pressing cable for each electrical connection.
 - Cable terminals (see Table "2").
 - Voltage max. 48 V DC.

► **SPEL 32-31**

- (Only on request)
- The electrical connections can be mounted on **3P6S1 MULTIFASTER** system.
- Main features are:
- Connections to the electrical cables to be pressure assembled.
 - Electrical contacts made of special brass.
 - Guaranteed for 10.000 connections.
 - Each connection has 31 poles 13 Ampere completely insulated.
 - Cable terminals (see Table "2").
 - Voltage max. 48 V DC.



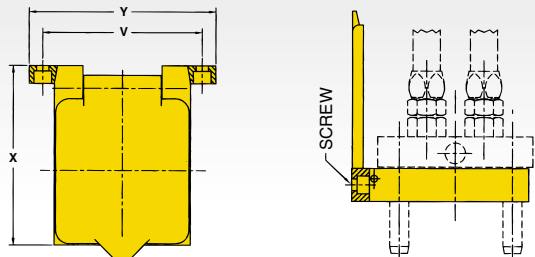
Table "1" Cable terminals available for SPEL 08-3	D	D	D
	Standard	A*	B*
D	4.8 mm	4 mm	1.9 mm
Rated current	25 A	25 A	16 A
Connecting end	Flat (DIN 46247)	Cylindrical	Cylindrical
Code	KIT CC SPEL 08	-	-

* on request

Table "2" Cable terminals available for SPEL 08-7 and SPEL 32-31	D
	Standard
D	1.55 mm
Rated current	13 A
Connecting end	Cylindrical
Code 7 poles	KIT CC SPEL 08-7
Code 31 poles	KIT CC SPEL 32-31

▶ **Mobile part support**

- Holds the mobile part when Multifaster is disconnected
- Equipped with an automatic dust protection



ACCESSORIES

MULTIFASTER Type		Support code	mm V		mm X		mm Y		Screw
			mm	inc.	mm	inc.	mm	inc.	
-	3P112	* S P112	103	4,06	110	4,33	120	4,72	M8
-	3P116	S P116	103	4,06	110	4,33	120	4,72	M8
-	3P124	S P124	194	7,64	155	6,10	220	8,66	M12
2P206	3P206	S P2	103	4,06	110	4,33	120	4,72	M8
2P208	3P208	S P208	103	4,06	110	4,33	120	4,72	M8
2PB06	3PB06	* S PB06	-	-	-	-	-	-	-
2P306	3P306	S P306	103	4,06	110	4,33	120	4,72	M8
-	3P316	-	-	-	-	-	-	-	-
2P404	-	S P404	103	4,06	110	4,33	120	4,72	M8
2P505	3P505	S P505	103	4,06	110	4,33	120	4,72	M8
2P506	3P506	S P5	115	4,53	133,5	5,26	133	5,24	M8
2P506-1	3P506-1	S P5	115	4,53	133,5	5,26	133	5,24	M8
2P5066	3P5066	* S P5066	115	4,53	133,5	5,26	133	5,24	M8
2P5068	3P5068	S P5068	115	4,53	133,5	5,26	133	5,24	M8
2P508	3P508	S P5	115	4,53	133,5	5,26	133	5,24	M8
2P510	3P510	S P510	115	4,53	133,5	5,26	133	5,24	M8
2P606	3P606	S P6	164	6,46	100	3,94	188	7,40	M8
2P608	3P608	S P608	50	1,97	108	4,25	144	5,67	M8
2P808	3P808	S P8	50	1,97	108	4,25	188	7,40	M8
2P1004	-	* S P1004	-	-	-	-	-	-	-
2P10A	-	S P10A	59	2,32	108	4,25	188	7,40	M8
2P12A	3P12A	* S P12A	-	-	-	-	-	-	-
2PS06	3PS06	S PS	50	1,97	100	3,94	188	7,40	M8
2PS06-1	3PS06-1	S PS	50	1,97	100	3,94	188	7,40	M8
2PS08	3PS08	S PS	50	1,97	100	3,94	188	7,40	M8
-	3PD06	* S PD06	-	-	-	-	-	-	-
-	3PW06	* S PW06	-	-	-	-	-	-	-
2PA06	3PA06	* S PA06	-	-	-	-	-	-	-
-	3P6S1	-	-	-	-	-	-	-	-
-	3P5S1	-	-	-	-	-	-	-	-
2P5S3	-	-	-	-	-	-	-	-	-

(*) on request

The descriptions and illustrations in this catalogue are for information only and not binding.