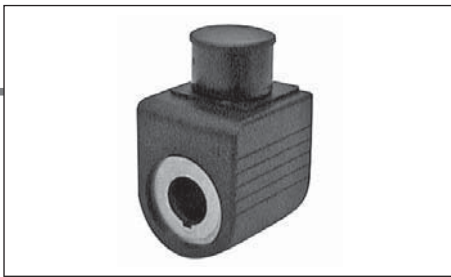


# A09 DC COILS

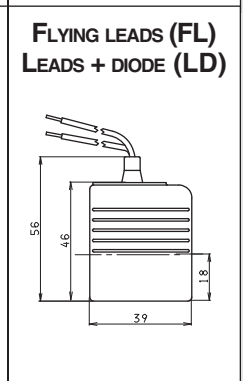
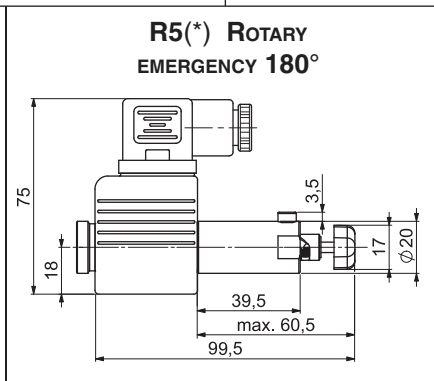
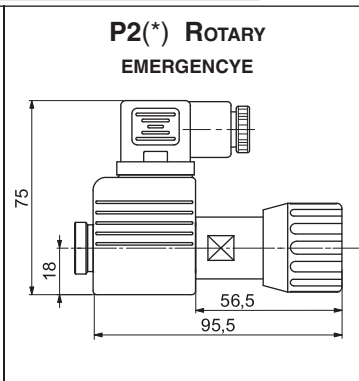
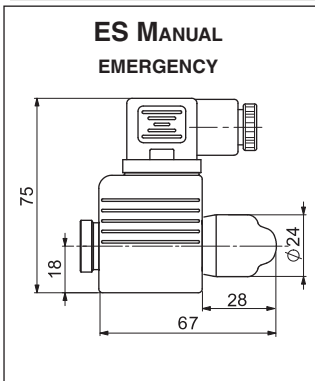
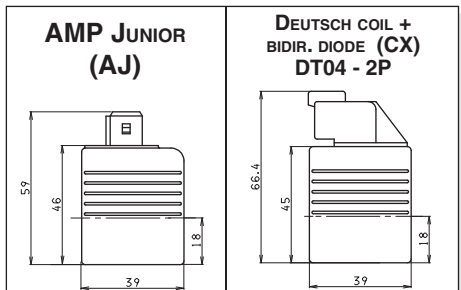


Type of protection (in relation to connector used)	IP 65
Number of cycle	18.000/h
Supply tolerance	±10%
Ambient temperature	-30°C ÷ 60°C
Duty cycle	100% ED
Insulation class wire	H
Weight	0,215 Kg

MOUNTING COMPATIBILITY	
<b>AD.2.E</b>	CH. I PAGE 4
<b>ADC.3...</b>	CH. I PAGE 5
<b>CDL.04...</b>	CH. I PAGE 61
<b>C3V.03...</b>	BFP CARTRIDGE CAT.
<b>CDC.3...</b>	CH. V PAGE 2

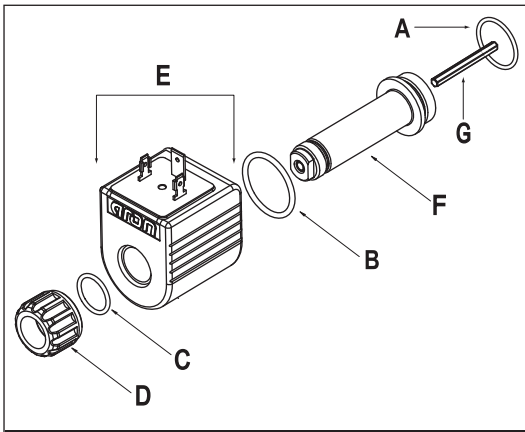
VOLTAGE (V)	MAX WINDING TEMPERATURE (AMBIENT TEMPERATURE 25°C)	RATED POWER (W)	RESISTANCE AT 20°C (OHM) ±7%
12V	123°C	27	5.3
24V	123°C	27	21.3
48V*	123°C	27	85.3
102V*(**)	123°C	27	392
110V*(**)	123°C	27	448
205V*(**)	123°C	27	1577

\*\* The european low voltage directive is applied to electrical equipments used at a nominal voltages between 50 and 1000 VAC or 75 and 1500 VDC. In conformity with the low directive each part of the manifold or the subplate on which the valve is mounted should be connected to a protective earth with a resistance less than 0.1 ohms.



## SPARE PARTS

(\*) P2 and R5 Emergency tightening torque max. 6±9 Nm / 0.6 ÷ 0.9 Kgm with CH n. 22



E = SEE A09 COIL TABLE  
A/B/C/D/F/G = SINGLE SPARE PARTS (SEE CODES TABLE)

VOLTAGE	HIRSCHMANN (STANDARD) (00)	CONNECTIONS			
		AMP JUNIOR (AJ)	FLYING LEADS + DIODE (130) (LD)	FLYING LEADS (250) (FL)	DEUTSCH + BIDIR. DIODE (CX)
12 V (L)	M14310001	M14320001	M14330001	M14070011	M14340001
24 V (M)	M14310002	M14320002	M14330002	M14070012	-
48V* (N)	M14310003				
102V* (Z)	M14310008				
110V* (P)	M14310005				
205V* (X)	M14310009				

(\*)SPECIAL VOLTAGES ETA09-CODE - 00/2007/e

COMPLETE KIT	AD2E	CDL04	ADC3	CDC3
COMPLETE SOLENOID'S TUBE	V85990008		V85990007	
P2 ROTARY EMERGENCY	V89990016		V89990017	
R5 ROTARY EMERGENCY 180°	-		V15050098	
ES MANUAL EMERGENCY	M19050003			

CODE SPARE PARTS	A	B	C	D	E	F	G	MOUNTING AVAILABLE
	O RING			RING NUT	COIL	TUBE	HEX. PUSHROD	
AD2E	Q25831023	Q25830096	Q25860013	M37050036	SEE TABLE A09	M83060003	M74490001 M74490002 M74490003	C - E - F G - H - I - L D - M
CDL04							M74490004	-
ADC3 / CDC3	Q25830024	Q25860023		M37050031		M83060004	M74460001 M74460002	C - E - F G - H
C3V03	Q25861025	Q25860024				M83060002	M74480001	-