

27



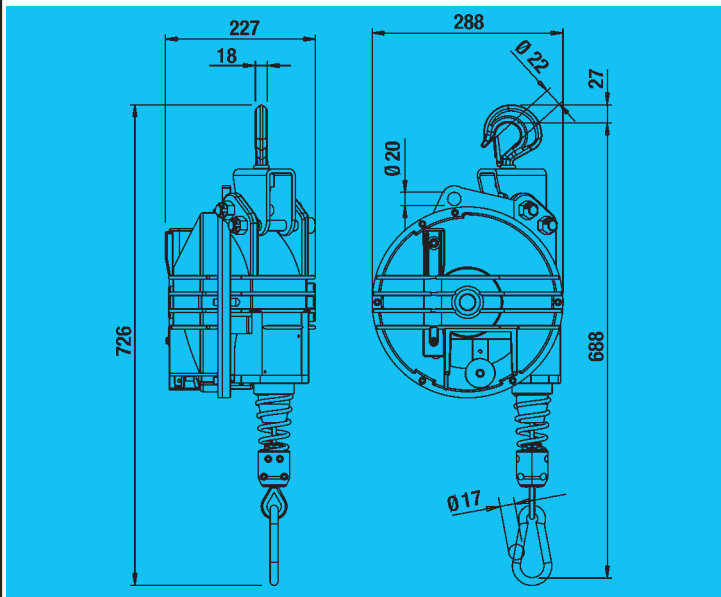
	Aluminium	
	2500 mm	9401 ÷ 9405
	3000 mm	9431 ÷ 9433
	Stainless Steel	
	15 ÷ 60 kg	

Option RI (70477)

Rotary and insulating device.

Option B (70084)

Locking-unlocking device with control from the floor.



Option B (70084)

Option RI (70477)

Item	9401	9402	9403	9404	9405
	15 ÷ 20	20 ÷ 30	30 ÷ 40	40 ÷ 50	50 ÷ 60
	19,67	21,11	21,11	22,03	23,07

9431	9432	9433
15 ÷ 20	20 ÷ 25	25 ÷ 35
19,67	19,67	21,11