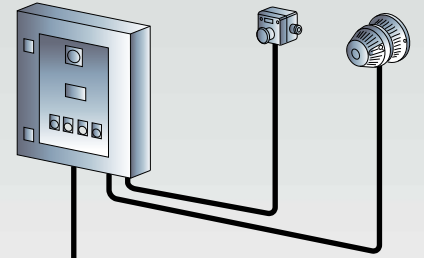
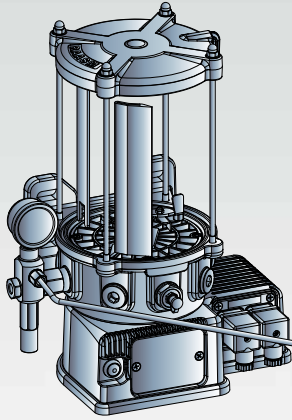


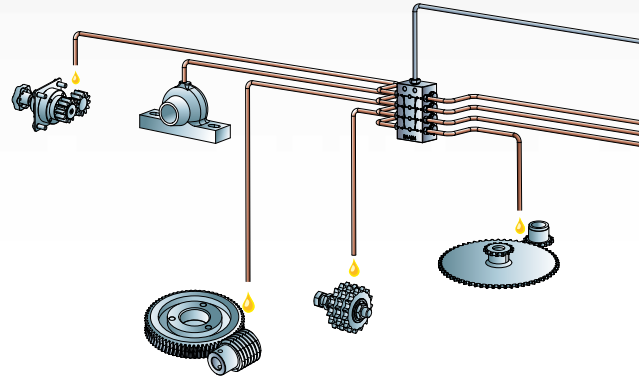
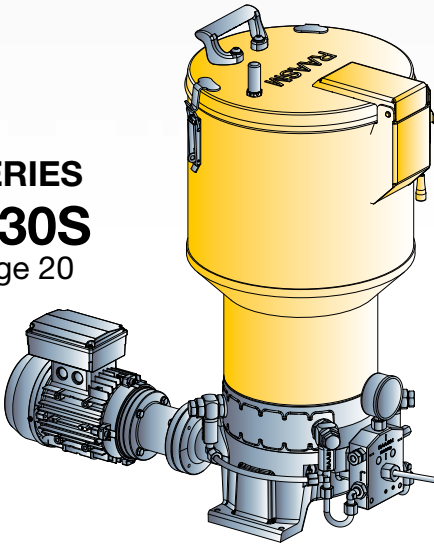


# SYSTEM 30 PROGRESSIVE

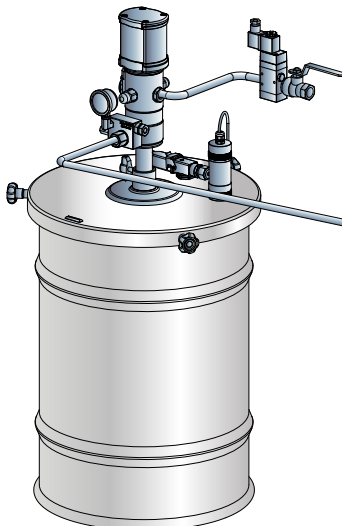
■ SERIES  
**C30B15**  
**C30B18**  
page 12-14



■ SERIES  
**C30S**  
page 20



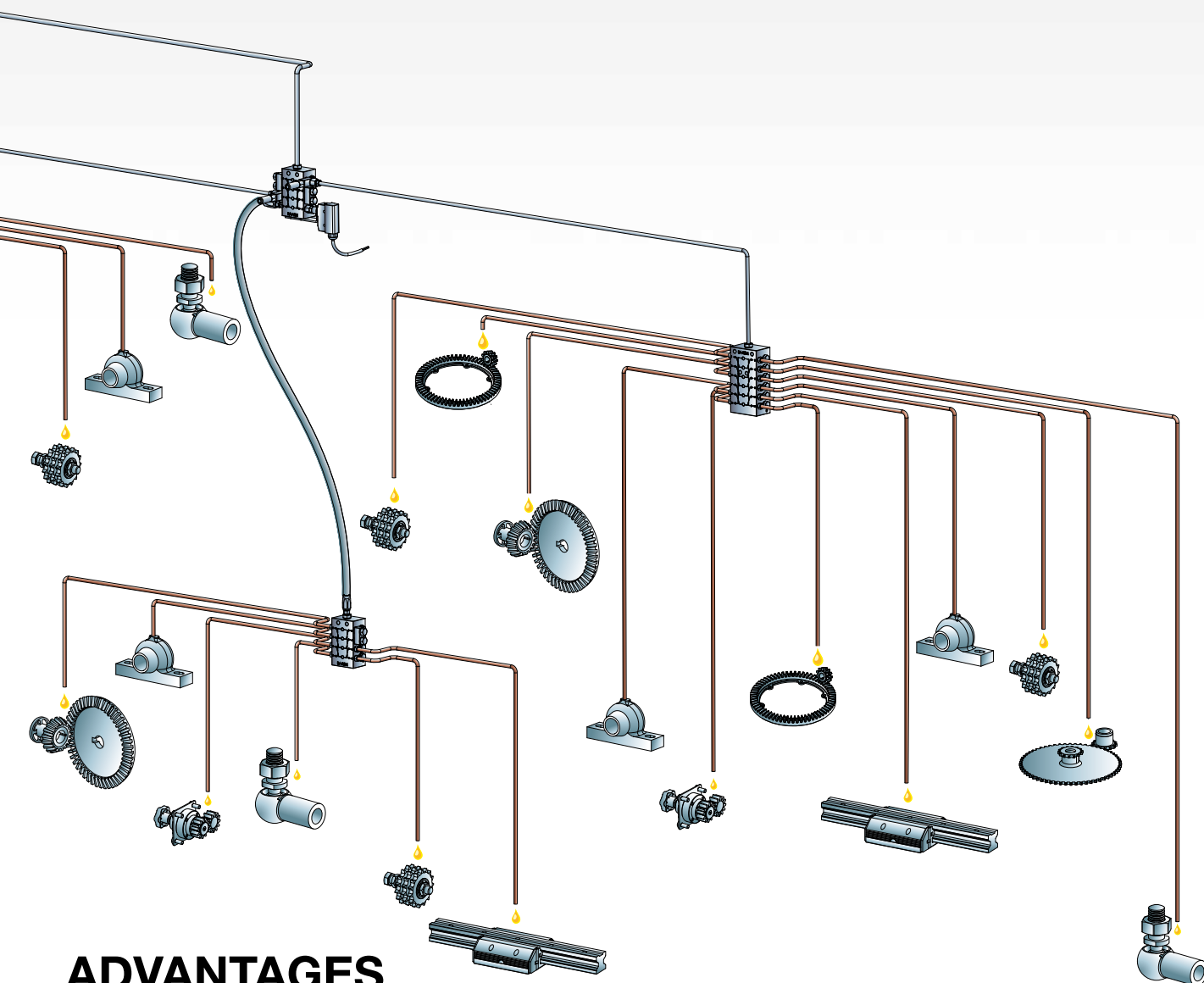
■ SERIES  
**C30F**  
page 26



The progressive lubrication system consists of a pumping unit connected to divider valves which, through the pumping action of a piston placed inside them, ensure the delivery of a predetermined quantity of lubricant to a corresponding number of users.

This system is defined such, since the action of each piston inside the divider valves, which allows the flow of lubricant to pass from one section to another of the divider valves, follows a progressive sequence of distribution to the various users.

Each divider valve is placed in series with all the others, therefore malfunctioning of just one causes blocking of all the others. Consequently the control of operation of a single divider valve allows the monitoring of the entire system. With this system, lubricating oils and greases up to grade NLGI 2 can be used.



## ADVANTAGES

- The progressive system ensures that each individual point is properly lubricated just by controlling any of the divider valves making up the system.
- Possibility of implementing the control for each individual point, when it is all-important to know where a malfunction can occur.
- Possibility of installing visual or electric-type controls.
- Various divider valves models are available for the number of outlets and for deliveries.
- Careful choice of materials and treatments, ensuring the long life of all components.
- The progressive system is normally used for short work times that include long pause times, hence reduced wear of all parts of the system.
- Suitable for medium short systems with a high number of users.





**ADVANCED FLUID  
MANAGEMENT SOLUTIONS**



[www.raasm.com](http://www.raasm.com)



# SERIES C30B15 ELECTRIC MOTOR OPERATED PUMPS

12/24 V DC - ø 150 mm

Sturdy and compact electric pumps with shockproof plastic cover for IP64 protection, ideal for stress work environments. Pumping pistons are radially placed in the aluminum basement below the lubricant reservoir.

Available in 3 versions:

- Remote control with all the programmable functions (pause and working time) managed by the control unit, depending on system requirements.
- Analog control with alarm signal, reset functions, and outside cycle operations management.
- Digital control with alarm signal, reset functions, pause and work times and outside cycle operations all managed by the control unit integrated board. The central body aluminum support is suitable for wall-type applications. Centrally located on the device there's the lubricator with filter (150 micron) for tank grease filling. For oil working versions, tank filling occurs through the filter mounted on the tank's cover top.



remote control



analog control



digital control



Delivery control assembly (on request)

## Colours:



to order the article in grey colour Ral 7035 it is necessary to add the suffix /C1

## TECHNICAL CHARACTERISTICS

|                                   |   |         |
|-----------------------------------|---|---------|
| Max. delivery 1 pumping element * | Art. 3081100 - 4,27 cm <sup>3</sup> /min - 35 rpm |         |
| No. pumping elements              | 1 - 4   |         |
| Delivery union                    | F 1/4" G  |         |
| Max. pressure                     | 300 bar   |         |
| Tank                              | 1,5 - 3 litres                                    |         |
| Tank filling                      | by hydraulic greaser M20x1,5 with filter 150 µm   |         |
| Level control                     | minimum level (magnetic-capacitive sensor)        |         |
| Protection rating                 | IP 64   |         |
| Operating temperature             | - 25 °C / + 60 °C                                 |         |
| Lubricant                         | Oil > 40 cSt - Grease max NLGI 2                  |         |
| Gearmotor *                       | 12 V DC   | 24 V DC |
| Power input                       | 36 W  | 36 W    |
| Power input (max. starting)       | 78 W  | 72 W    |
| Current absorbed                  | 3 A   | 1,5 A   |
| Current absorbed (max. starting)  | 6,5 A   | 3 A     |

\* Approx. delivery with grease NLGI 2 at 18°C (The lubricant must have technical characteristics in compliance with working temperature).

\* Testing done at 250 bar at 20°C.

## GUIDE TO CHOOSING PUMP ø 150 mm - 12 V DC

| P/N     |         | Tank capacity (litres) | No. pumping elements | Delivery (cm <sup>3</sup> /min) | Control type |
|---------|---------|------------------------|----------------------|---------------------------------|--------------|
| Grease  | Oil     |                        |                      |                                 |              |
| 3000130 | 3030340 | 1,5                    | 1                    | 4,27                            | remote       |
| 3003910 | 3034120 | 3                      | 1                    | 4,27                            | remote       |
| 3000040 | 3030250 | 1,5                    | 1                    | 4,27                            | analog       |
| 3003820 | 3034030 | 3                      | 1                    | 4,27                            | analog       |
| 3000085 | 3030295 | 1,5                    | 1                    | 4,27                            | digital      |
| 3003865 | 3034075 | 3                      | 1                    | 4,27                            | digital      |

Attention: items listed above are for electric motor pumps without delivery control assembly (Art. 3081350).

## GUIDE TO CHOOSING PUMP ø 150 mm - 24 V DC

| P/N     |         | Tank capacity (litres) | No. pumping elements | Delivery (cm <sup>3</sup> /min) | Control type |
|---------|---------|------------------------|----------------------|---------------------------------|--------------|
| Grease  | Oil     |                        |                      |                                 |              |
| 3001210 | 3031420 | 1,5                    | 1                    | 4,27                            | remote       |
| 3004990 | 3035200 | 3                      | 1                    | 4,27                            | remote       |
| 3001120 | 3031330 | 1,5                    | 1                    | 4,27                            | analog       |
| 3004900 | 3035110 | 3                      | 1                    | 4,27                            | analog       |
| 3001165 | 3031375 | 1,5                    | 1                    | 4,27                            | digital      |
| 3004945 | 3035155 | 3                      | 1                    | 4,27                            | digital      |

Attention: items listed above are for electric motor pumps without delivery control assembly (Art. 3081350).

### STANDARD EQUIPMENT



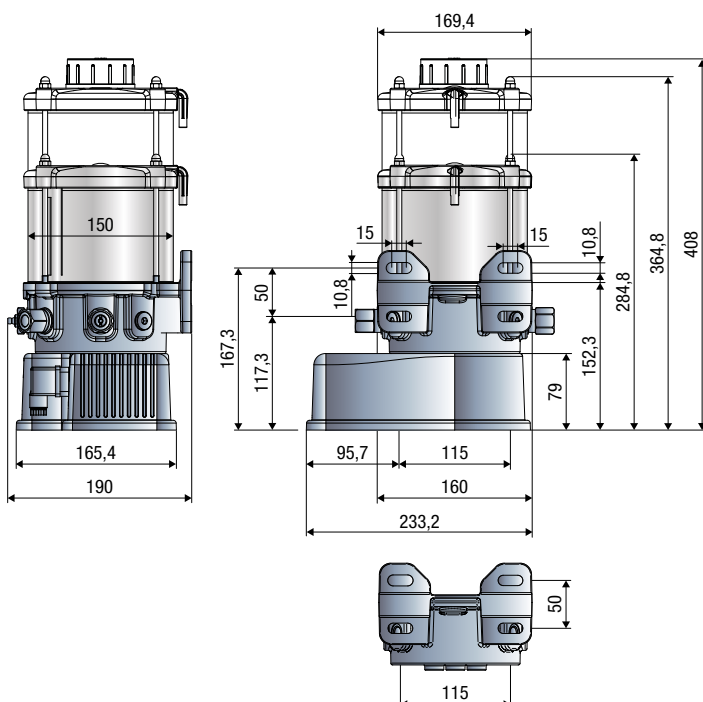
Magnetic low level indicator for grease.  
Capacitive low level indicator for oil.

### ON REQUEST



Art. 3081350 Delivery control assembly equipped with manometer and overpressure adjustable valve 100 - 300 bar

## OVERALL DIMENSIONS (mm)



▶ 3 litres

▶ 1,5 litres

|                        | 1,5 litres |         |
|------------------------|------------|---------|
|                        | Grease     | Oil     |
| Packing-m <sup>3</sup> | 1-0,024    | 1-0,027 |
| Net weight Kg          | 5,2        | 5,2     |
| Gross weight Kg        | 6,2        | 6,2     |

|                        | 3 litres |         |
|------------------------|----------|---------|
|                        | Grease   | Oil     |
| Packing-m <sup>3</sup> | 1-0,030  | 1-0,034 |
| Net weight Kg          | 5,5      | 5,4     |
| Gross weight Kg        | 6,4      | 6,3     |



# SERIES C30B18

## ELECTRIC MOTOR OPERATED PUMPS

12/24 V DC - ø 180 mm

Sturdy and compact electric pumps with shockproof plastic cover for IP64 protection, with 3-5-8 liters tank capacity. Pumping pistons are radially placed in the aluminum basement below the lubricant reservoir.

Available in 3 versions:

- with remote control where the programmable functions (pause and working time) managed by the control unit, depending on system requirements
- with analog control for alarm signal, reset functions and outside cycle operations management
- with digital control for alarm signal, reset functions, pause and work times and outside cycle operations all managed by the control unit integrated board. Electrical parts are located in the bottom of the unit protected by a strong plastic cover.



remote control



analog control



digital control



### Colours:



to order the article in grey colour  
Ral 7035 it is necessary to add the suffix /C1

### TECHNICAL CHARACTERISTICS

|                                   |   |         |
|-----------------------------------|---|---------|
| Max. delivery 1 pumping element * | Art. 3081100 - 4,27 cm <sup>3</sup> /min - 35 rpm |         |
| No. pumping elements              | 1 - 4   |         |
| Delivery union                    | F 1/4" G  |         |
| Max. pressure                     | 300 bar   |         |
| Tank                              | 3 - 5 - 8 litres                                  |         |
| Tank filling                      | by hydraulic greaser M20x1,5 with filter 150 µm   |         |
| Level control                     | minimum level (magnetic-capacitive sensor)        |         |
| Protection rating                 | IP 64   |         |
| Operating temperature             | - 25 °C / + 60 °C                                 |         |
| Lubricant                         | Oil > 40 cSt - Grease max NLGI 2                  |         |
| Gearmotor *                       | 12 V DC   | 24 V DC |
| Power input                       | 36 W  | 36 W    |
| Power input (max. starting)       | 78 W  | 72 W    |
| Current absorbed                  | 3 A   | 1,5 A   |
| Current absorbed (max. starting)  | 6,5 A   | 3 A     |

\* Approx. delivery with grease NLGI 2 at 18°C (The lubricant must have technical characteristics in compliance with working temperature).

\* Testing done at 250 bar at 20°C.

## GUIDE TO CHOOSING PUMP ø 180 mm - 12 V DC

| P/N     |         | Tank capacity (litres) | No. pumping elements | Delivery (cm <sup>3</sup> /min) | Control type |
|---------|---------|------------------------|----------------------|---------------------------------|--------------|
| Grease  | Oil     |                        |                      |                                 |              |
| 3019030 | 3049240 | 3                      | 1                    | 4,27                            | remote       |
| 3022810 | 3053020 | 5                      | 1                    | 4,27                            | remote       |
| 3026590 | 3056800 | 8                      | 1                    | 4,27                            | remote       |
| 3018940 | 3049150 | 3                      | 1                    | 4,27                            | analog       |
| 3022720 | 3052930 | 5                      | 1                    | 4,27                            | analog       |
| 3026500 | 3056710 | 8                      | 1                    | 4,27                            | analog       |
| 3018985 | 3049195 | 3                      | 1                    | 4,27                            | digital      |
| 3022765 | 3052975 | 5                      | 1                    | 4,27                            | digital      |
| 3026545 | 3056755 | 8                      | 1                    | 4,27                            | digital      |

Attention: items listed above are for electric motor pumps without delivery control assembly (Art. 3081350).

## GUIDE TO CHOOSING PUMP ø 180 mm - 24 V DC

| P/N     |         | Tank capacity (litres) | No. pumping elements | Delivery (cm <sup>3</sup> /min) | Control type |
|---------|---------|------------------------|----------------------|---------------------------------|--------------|
| Grease  | Oil     |                        |                      |                                 |              |
| 3020110 | 3050320 | 3                      | 1                    | 4,27                            | remote       |
| 3023890 | 3054100 | 5                      | 1                    | 4,27                            | remote       |
| 3027670 | 3057880 | 8                      | 1                    | 4,27                            | remote       |
| 3020020 | 3050230 | 3                      | 1                    | 4,27                            | analog       |
| 3023800 | 3054010 | 5                      | 1                    | 4,27                            | analog       |
| 3027580 | 3057790 | 8                      | 1                    | 4,27                            | analog       |
| 3020065 | 3050275 | 3                      | 1                    | 4,27                            | digital      |
| 3023845 | 3054055 | 5                      | 1                    | 4,27                            | digital      |
| 3027625 | 3057835 | 8                      | 1                    | 4,27                            | digital      |

Attention: items listed above are for electric motor pumps without delivery control assembly (Art. 3081350).

### STANDARD EQUIPMENT

Magnetic low level indicator for grease.  
Capacitive low level indicator for oil.

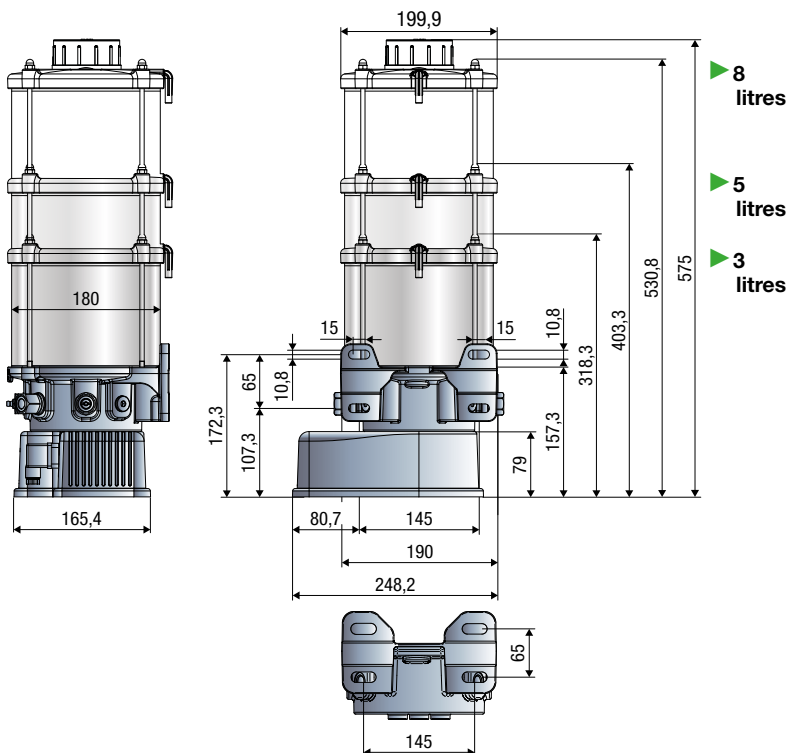


### ON REQUEST

**Art. 3081350**  
Delivery control assembly equipped with manometer and overpressure adjustable valve



## OVERALL DIMENSIONS (mm)



|                        | 3 litres |         |
|------------------------|----------|---------|
|                        | Grease   | Oil     |
| Packing-m <sup>3</sup> | 1-0,027  | 1-0,030 |
| Net weight Kg          | 5,8      | 5,8     |
| Gross weight Kg        | 6,8      | 6,7     |

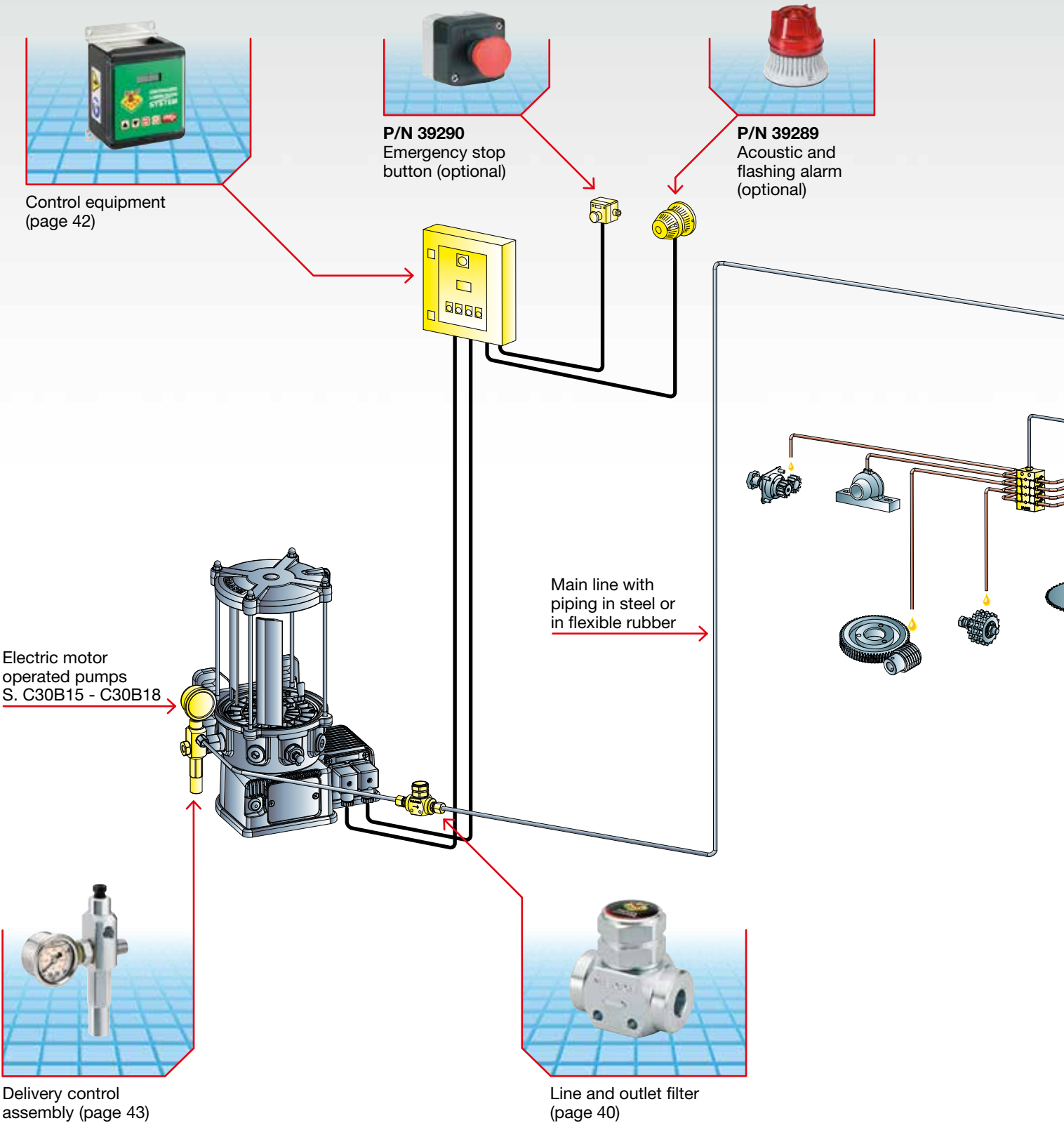
|                        | 5 litres |         |
|------------------------|----------|---------|
|                        | Grease   | Oil     |
| Packing-m <sup>3</sup> | 1-0,033  | 1-0,037 |
| Net weight Kg          | 6,2      | 6       |
| Gross weight Kg        | 7,1      | 7       |

|                        | 8 litres |         |
|------------------------|----------|---------|
|                        | Grease   | Oil     |
| Packing-m <sup>3</sup> | 1-0,040  | 1-0,044 |
| Net weight Kg          | 6,6      | 6,5     |
| Gross weight Kg        | 7,4      | 7,3     |





# Type of lubrication system with



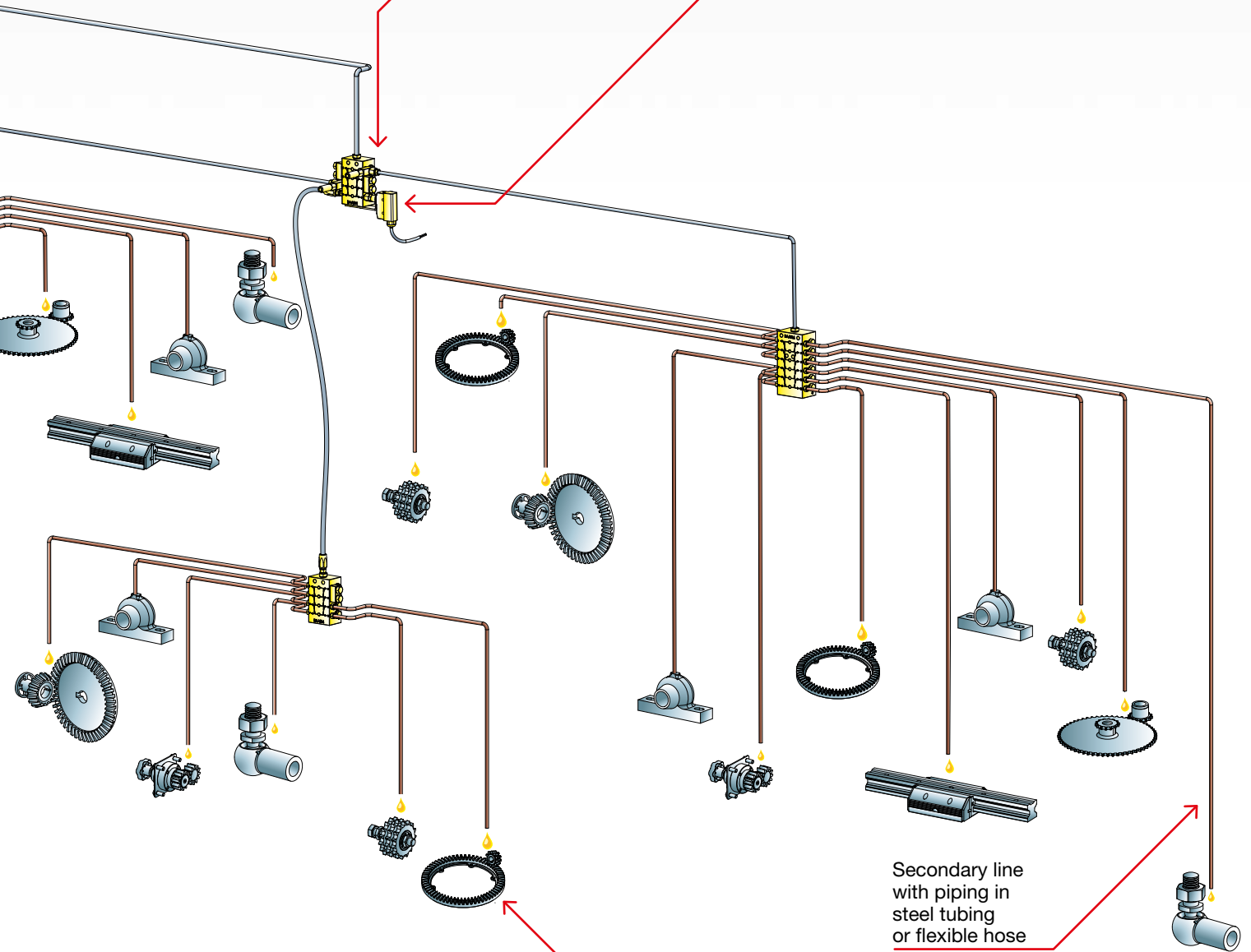
# MOTOR-OPERATED PUMPS SERIES C30B15 - C30B18



Monobloc and modular "Master" divider valves MDV-M and MDV-L (page 30-36)



Cycle indicator (page 34)



Secondary line with piping in steel tubing or flexible hose

**Lube point:** In the plant are represented some types of moving parts that need to be lubricated





**ADVANCED FLUID  
MANAGEMENT SOLUTIONS**



[www.raasm.com](http://www.raasm.com)



# SERIES C30S

## ELECTRIC MOTOR OPERATED PUMPS

230/400 V AC - 275-480 V AC

Compact electric motor-operated pump, with dispense control group mounted on pump's body. Pumping pistons are radially placed in the aluminum basement below the lubricant reservoir.

The hardened galvanized steel pump works radially into the sturdy and compact nickel plated base. The epoxy powder painted lubricant tank is available in 3 different sizes: 10, 30 and 70 liters. Two electric motor (three-phase) are available with 4 or 6 poles, coupled with 35:1 or 70:1 ratio gear motor. These all specifics allow a wide combination of tanks, motors and gear motors to meet all end-users' needs.



### TECHNICAL CHARACTERISTICS

|                                  |   |   |
|----------------------------------|---|---|
| Max. delivery                    | * | 108 cm <sup>3</sup> /min                  |
| Max. operating pressure          |   | 400 bar adjustable                        |
| Tank capacity                    |   | 10-30 litres                              |
| Ratio of reducer in pump         |   | 35:1 - 70:1                               |
| Filling union                    |   | F 1/2" G                                  |
| Lubricant outlet union           |   | F 3/8" G                                  |
| Pumping unit delivery            |   | P/N 2081100 - 1 cm <sup>3</sup> /cycle    |
| Temperature                      |   | - 25 °C / + 60 °C                         |
| Compatible fluids                |   | Oil > 40 cSt - Grease max NLGI 2          |
| Electric min. level control      |   | supplied                                  |
| Electric min. max. level control |   | on request                                |
| Motor                            |   | power: 0,25 kW                            |
|                                  |   | 230/400 V AC-50 Hz - 275/480 V AC-60 Hz * |
|                                  |   | speed 6-pole: 870 ÷ 1100 rpm              |
|                                  |   | speed 4-pole: 1370 ÷ 1660 rpm             |
| Materials                        |   | protection: IP 55                         |
|                                  |   | base: aluminium alloy                     |
|                                  |   | moving parts: steel                       |
|                                  |   | pumping elements: treated steel           |
|                                  |   | tank: painted steel                       |

\* Approx. delivery with grease NLGI 2 at 18°C. (The lubricant must have technical characteristics in compliance with working temperature).

\* Different rated voltages have to be indicated in the purchase order.

## GUIDE TO CHOOSING PUMP

| P/N     |         | Tank capacity (litres) | No. pumping elements | Reducer ratio | Motor   | Delivery (cm <sup>3</sup> /min) |
|---------|---------|------------------------|----------------------|---------------|---------|---------------------------------|
| Grease  | Oil     |                        |                      |               |         |                                 |
| 3070080 | 3070440 | 10                     | 2                    | 70:1          | 6 poles | 28                              |
| 3070200 | 3070560 | 30                     | 2                    | 70:1          | 6 poles | 28                              |
| 3070020 | 3070380 | 10                     | 2                    | 70:1          | 4 poles | 40                              |
| 3070140 | 3070500 | 30                     | 2                    | 70:1          | 4 poles | 40                              |
| 3070110 | 3070470 | 10                     | 4                    | 70:1          | 6 poles | 56                              |
| 3070230 | 3070590 | 30                     | 4                    | 70:1          | 6 poles | 56                              |
| 3070050 | 3070410 | 10                     | 4                    | 70:1          | 4 poles | 80                              |
| 3070170 | 3070530 | 30                     | 4                    | 70:1          | 4 poles | 80                              |
| 3070065 | 3070425 | 10                     | 2                    | 35:1          | 6 poles | 54                              |
| 3070185 | 3070545 | 30                     | 2                    | 35:1          | 6 poles | 54                              |
| 3070095 | 3070455 | 10                     | 4                    | 35:1          | 6 poles | 108                             |
| 3070215 | 3070575 | 30                     | 4                    | 35:1          | 6 poles | 108                             |

### STANDARD EQUIPMENT



Low level capacitive sensor.



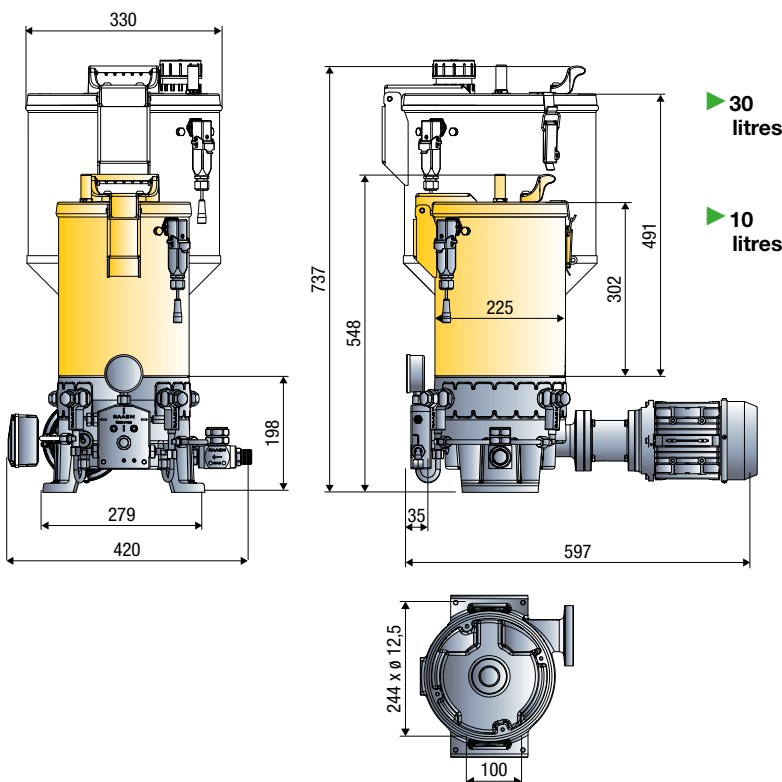
Visual level indicator for oil and grease.

### ON REQUEST



High level capacitive sensor.

## OVERALL DIMENSIONS (mm)

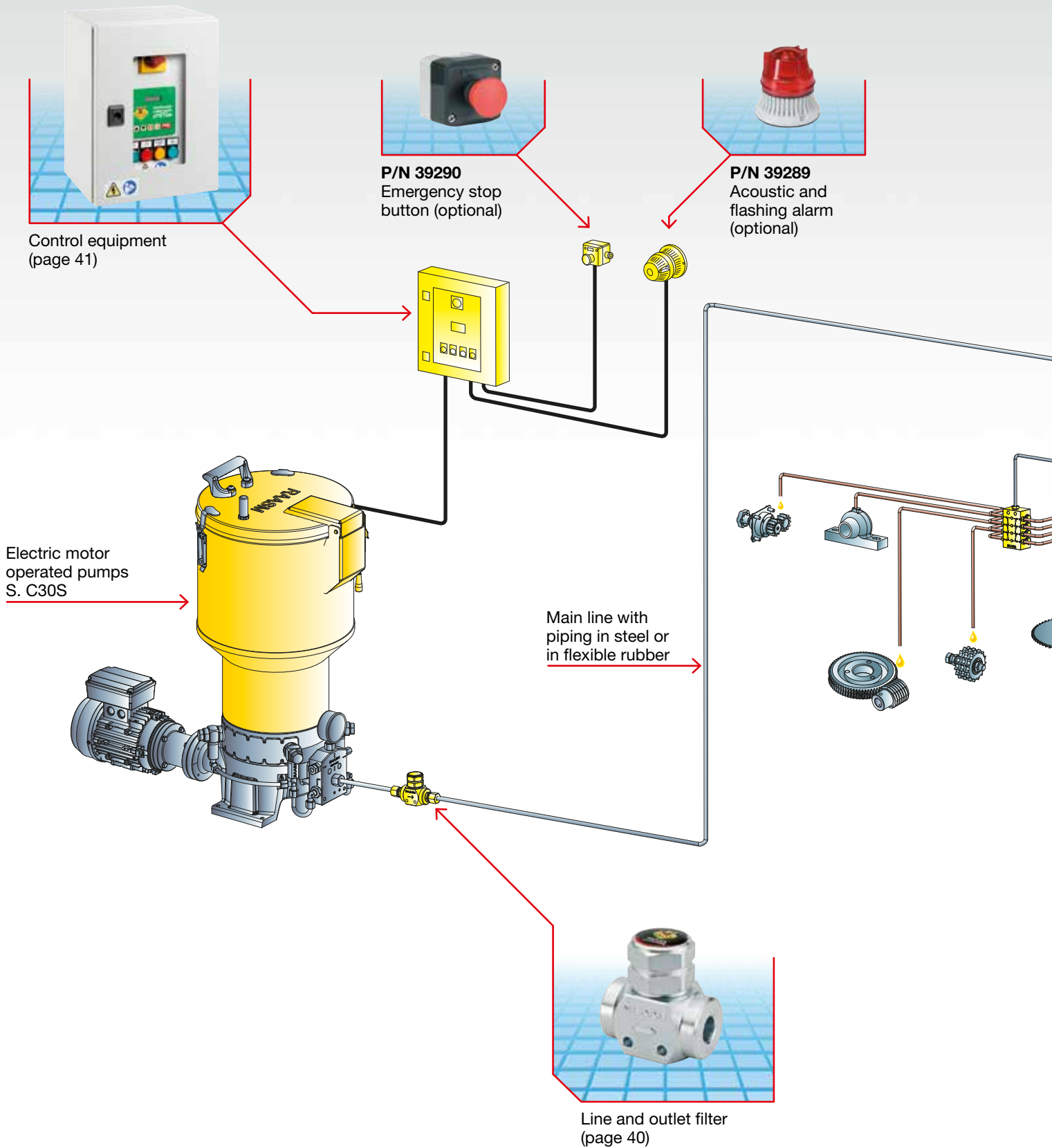


|             |             |                        | 10 litres |         |
|-------------|-------------|------------------------|-----------|---------|
|             |             |                        | GREASE    | OIL     |
| ▶ 30 litres | ▶ 10 litres | Packing-m <sup>3</sup> | 1-0,144   | 1-0,144 |
|             |             | Net weight Kg          | 27,8      | 27,7    |
|             |             | Gross weight Kg        | 39,6      | 39,5    |

|  |  |                        | 30 litres |         |
|--|--|------------------------|-----------|---------|
|  |  |                        | GREASE    | OIL     |
|  |  | Packing-m <sup>3</sup> | 1-0,208   | 1-0,208 |
|  |  | Net weight Kg          | 33        | 32,8    |
|  |  | Gross weight Kg        | 45,2      | 45      |



# Type of lubrication system with



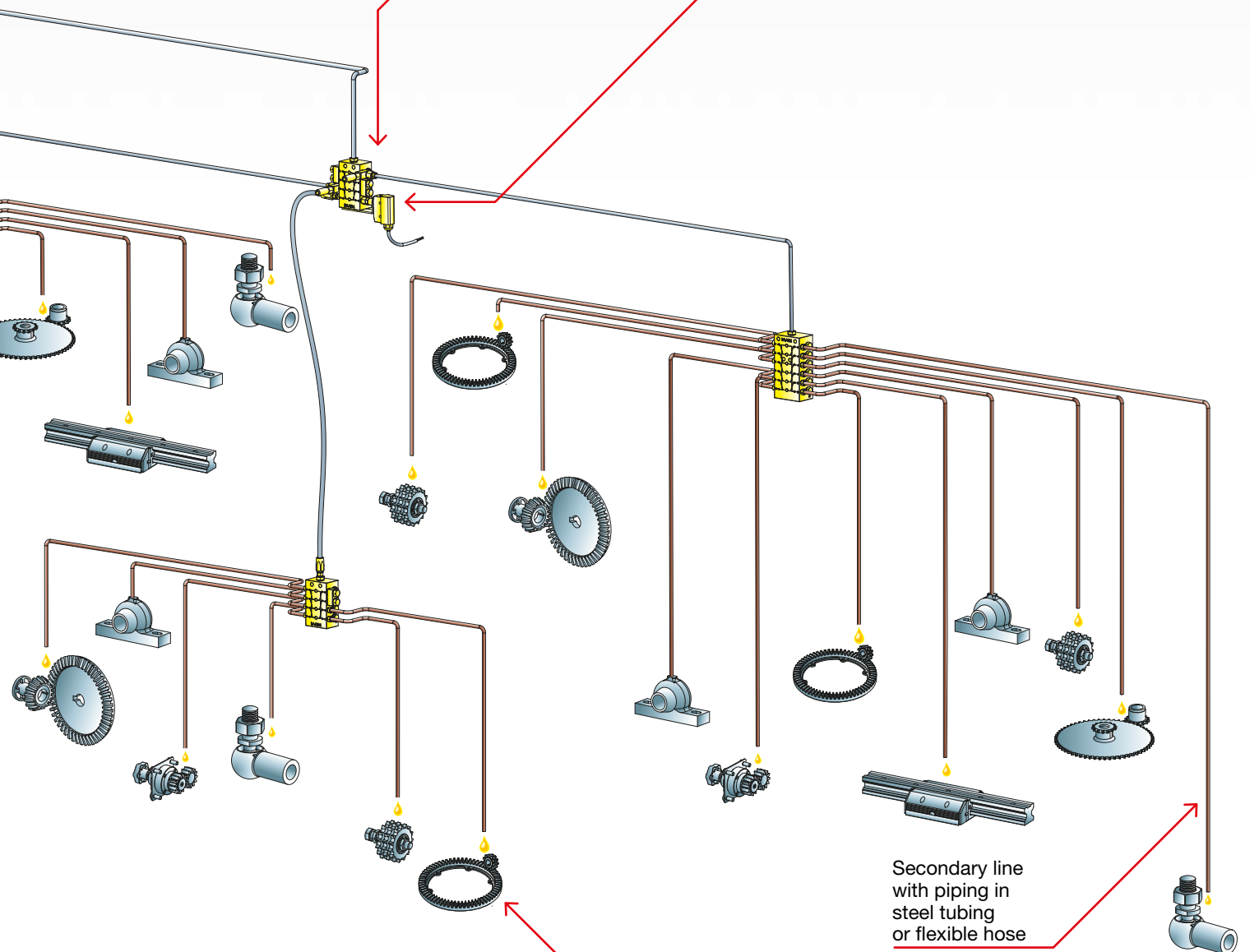
# MOTOR-OPERATED PUMPS SERIES C30S



Monobloc and modular  
"Master" divider valves  
MDV-M and MDV-L  
(page 30-36)



Cycle indicator (page 34)



**Lube point:** In the plant are represented some types of moving parts that need to be lubricated







**ADVANCED FLUID  
MANAGEMENT SOLUTIONS**

**Series C30F**



[www.raasm.com](http://www.raasm.com)



# SERIES C30F AIR-OPERATED PUMP

10 Litres

DRUM

Depending on available feed type, on system's specifics or on required dispense, an air-operated pump may be preferred to an electric one.

Various solutions are available for great versatility: with 10 liters tank or suitable for 20, 50 or 200 Kg drums, provided with drum cover and grease follower plate (if necessary).

If commercial drums are used, once the lubricant is finished the end user can replace the drum or fill it up again through the specific inlet, on request with a special kit. Oil pumps are provided with drum cover for open drums (up to 50 kg) or with ring nut for closed drums (usually from 50 kg to 200 kg). High compression ratio (50:1) and adjustable feeding pressure allow to set system's pressure to its specific requirements (from 100 to 350 bar).



## TECHNICAL CHARACTERISTICS

|                             |   |                                  |
|-----------------------------|---|----------------------------------|
| Max flow rate               | * | 1330 cm <sup>3</sup> /min        |
| Max working pressure        |   | 8 bar                            |
| Pressure ratio              |   | 50:1                             |
| Air inlet connection        |   | F 1/4" G                         |
| Lubricant outlet connection |   | F 3/8" G                         |
| Operating temperature       |   | - 25 °C / + 60 °C                |
| Lubricant                   |   | Oil > 40 cSt - Grease max NLGI 2 |

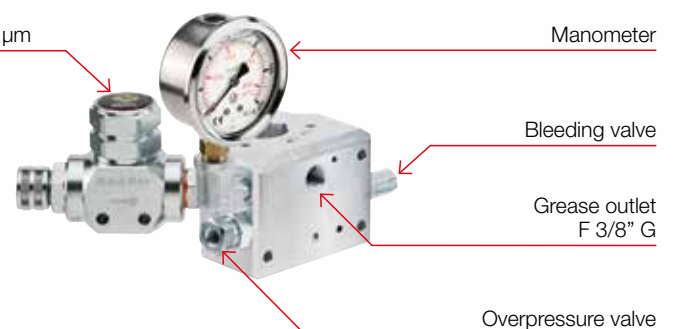
\* Approx. delivery with grease NLGI 2 at 18°C.

## PUMP OUTLET ASSEMBLY

This group includes:

- **Manometer:** checks system's pressure.
- **Overpressure valve:** allows to monitor system's pressure and discharges lubricant when system is over pressurized 100 - 350 bar.
- **Inlet charging filter:** to filter the lubricant during drum's filling.
- **Bleeding valve:** discharges system's residual air during first filling operations.

Inlet charging filter 300 µm



Manometer

Bleeding valve

Grease outlet  
F 3/8" G

Overpressure valve

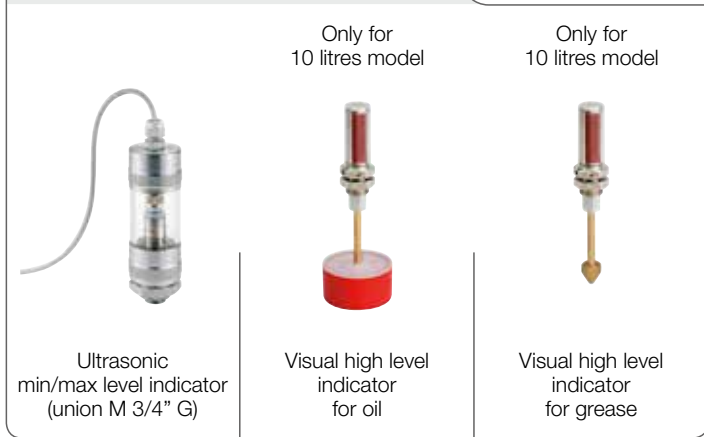
## GUIDE TO CHOOSING GREASE PUMP

| P/N<br>Grease | Tank capacity | Drum internal ø (mm) | Pump (R 50:1) | Drum cover | Follower plate | Pump outlet assembly |
|---------------|---------------|----------------------|---------------|------------|----------------|----------------------|
| 3085005       | 10 litres     | 220                  | 62741         | -          | 10/617         | -                    |
| 3085275       | 20 Kg         | 255/300              | 62148         | 10/537     | 66310          | 3081710              |
| 3085545       | 50 Kg         | 335/360              | 62174         | 10/533     | 66370          | 3081710              |
| 3085680       | 60 Kg         | 360/400              | 62174         | 10/532     | 66400          | 3081710              |
| 3085815       | 200 Kg        | 540/580              | 62195         | 10/531     | 66590          | 3081710              |

## GUIDE TO CHOOSING OIL PUMP

| P/N<br>Oil | Tank capacity | Drum external ø (mm) | Pump (R 50:1) | Drum cover  | Drum ring | Pump outlet assembly |
|------------|---------------|----------------------|---------------|-------------|-----------|----------------------|
| 3085950    | 10 litres     | 240                  | 62741         | -           | -         | -                    |
| 3086220    | 20 Kg         | 260/330              | 62148         | 10/537      | -         | 3081710              |
| 3086490    | 50 - 60 Kg    | 340/385              | 62174         | 10/533      | -         | 3081710              |
| 3086625    | 50 - 60 Kg    | closed - thread 2"   | 62174         | level 39650 | 38041     | 3081710              |
| 3086760    | 200 Kg        | closed - thread 2"   | 62195         | level 39650 | 38041     | 3081710              |

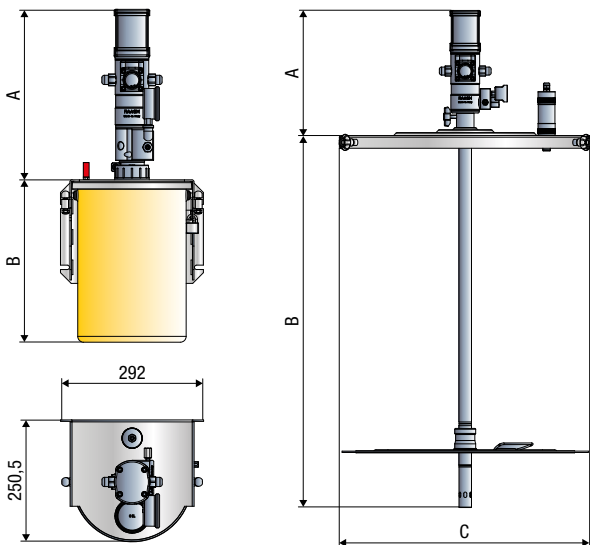
### STANDARD EQUIPMENT



### ON REQUEST



## OVERALL DIMENSIONS (mm)



| P/N Grease | A   | B   | C   |
|------------|-----|-----|-----|
| 3085005    | 351 | 335 | 292 |
| 3085275    | 355 | 361 | 341 |
| 3085545    | 355 | 621 | 389 |
| 3085680    | 355 | 621 | 424 |
| 3085815    | 355 | 835 | 604 |

| P/N Oil | A   | B   | C   |
|---------|-----|-----|-----|
| 3085950 | 351 | 335 | 292 |
| 3086220 | 355 | 361 | 341 |
| 3086490 | 355 | 621 | 389 |
| 3086625 | 355 | 621 | 424 |
| 3086760 | 355 | 835 | 604 |

|                        | 10 litres |         | 20 Kg   |         | 50 Kg   |         | 60 Kg   |         | 220 Kg  |         |
|------------------------|-----------|---------|---------|---------|---------|---------|---------|---------|---------|---------|
|                        | Grease    | Oil     | Grease  | Oil     | Grease  | Oil     | Grease  | Oil     | Grease  | Oil     |
| Packing-m <sup>3</sup> | 1-0,056   | 1-0,056 | 2-0,087 | 2-0,087 | 2-0,076 | 2-0,076 | 2-0,076 | 2-0,036 | 2-0,100 | 2-0,040 |
| Net weight Kg          | 16,5      | 15,5    | 9,6     | 8,7     | 10,7    | 9,1     | 11,2    | 6,9     | 16,3    | 7,6     |
| Gross weight Kg        | 16,8      | 15,8    | 10,2    | 9,3     | 11,3    | 9,7     | 11,8    | 7,5     | 17,1    | 8,4     |



# Type of lubrication system with



Control equipment  
(page 41)



P/N 39290  
Emergency stop  
button (optional)

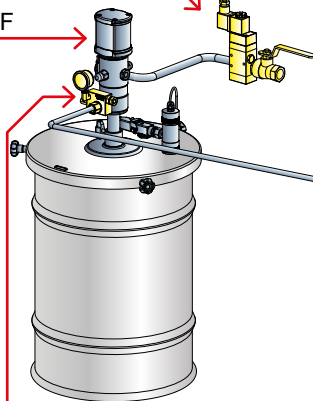


P/N 39289  
Acoustic and  
flashing alarm  
(optional)

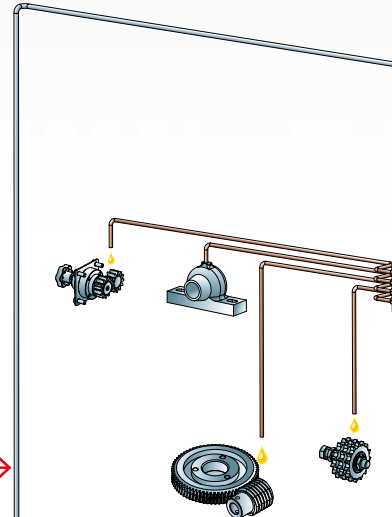


Air operated solenoid valve  
24 V DC - 110 V AC  
230 V AC (page 45)

Air operated pump S. C30F



Main line with  
piping in steel or  
in flexible rubber



Delivery pressure control  
assembly (page 45)



Line and outlet filter  
(page 40)

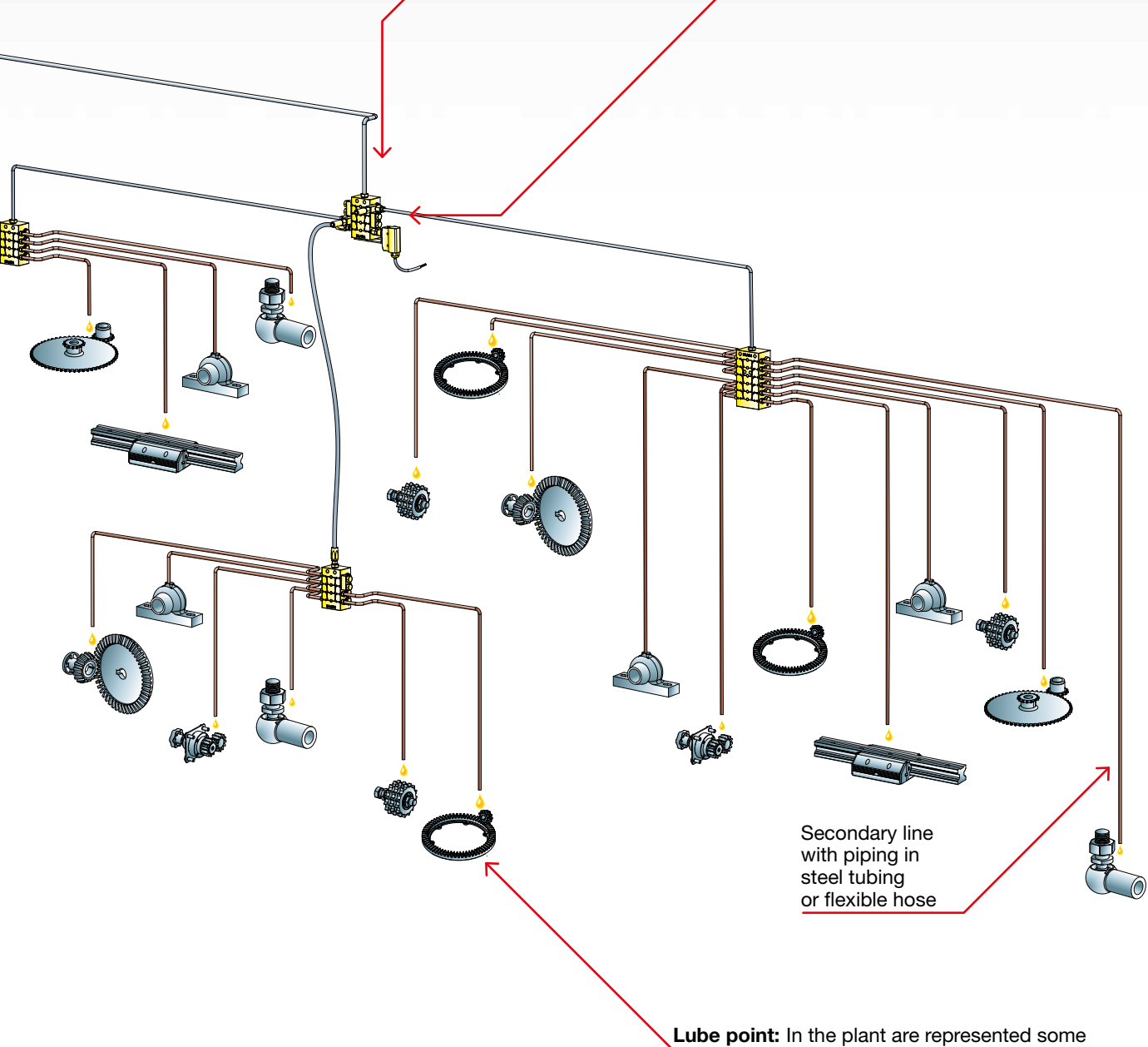
# AIR-OPERATED PUMP C30F



Monobloc and modular  
"Master" divider valves  
MDV-M and MDV-L  
(page 30-36)



Cycle indicator (page 34)



Secondary line  
with piping in  
steel tubing  
or flexible hose

**Lube point:** In the plant are represented some types of moving parts that need to be lubricated