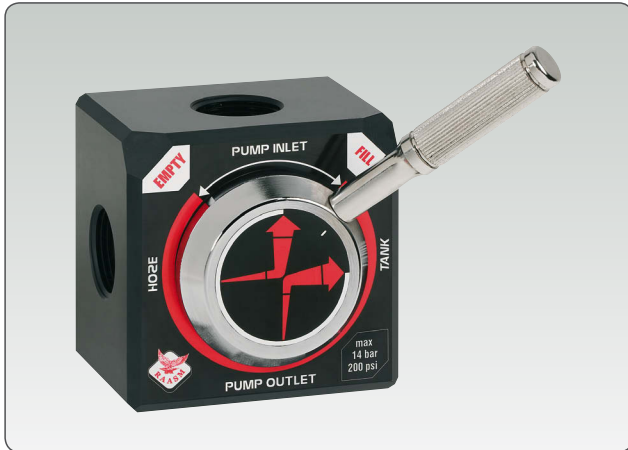
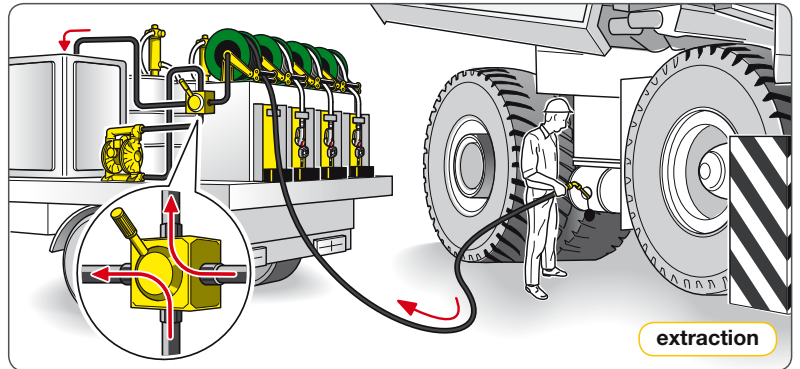




Accessories 4-way evacuation valve and flow regulator chamber



The 4-way evacuation valve is used for extraction and discharge of waste oil fluid hydraulic gear and engine oil and antifreeze

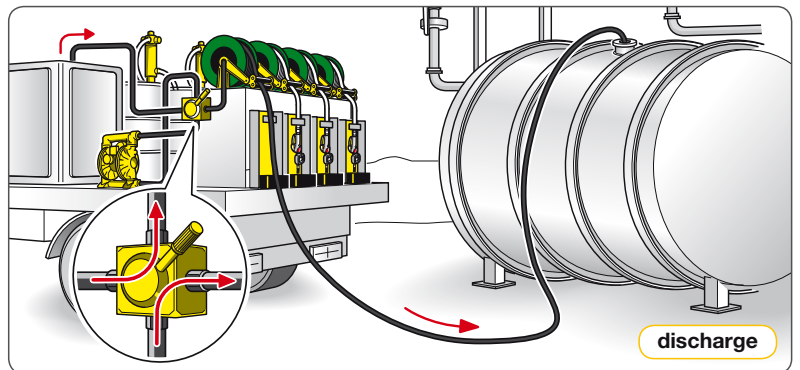


extraction

Art. 38130
4-way evacuation valve with connection F 3/4"G

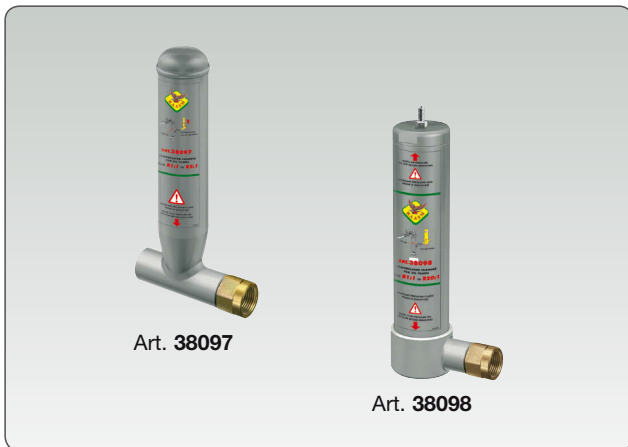
Art. 38131
4-way evacuation valve with connection F 1"G

Art. 38132
4-way evacuation valve with connection F 1.1/2"G



discharge

Article	Seals	Connection	Pressure	Weight
38130	Viton	F 3/4"	14 bar	3 Kg
38131	Viton	F 1"	14 bar	3 Kg
38132	Viton	F 1.1/2"	14 bar	3 Kg



Art. 38097

Art. 38098

Art. 38097

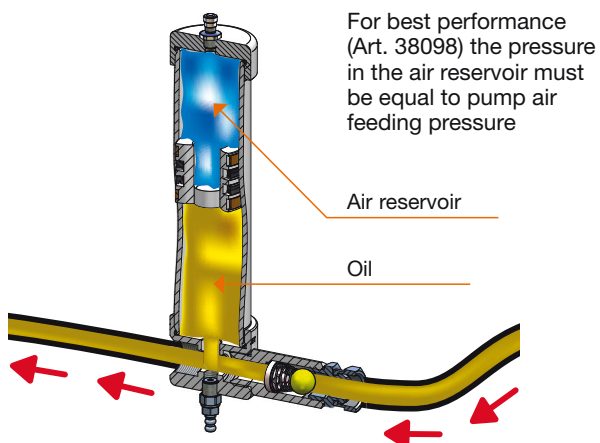
Flow regulator chamber F 3/4" x F 3/4" equipped with:

- one-way valve eliminates sudden pressure changes, ensuring a regular flow
- suitable for R 1:1 - 3:1 - 5:1 pumps
- max pressure 100 bar

Art. 38098

Flow regulator chamber F 3/4" x F 3/4" with air tank equipped with:

- one-way valve eliminates sudden pressure changes, ensuring a regular flow
- suitable for pumps till R 20:1
- max pressure 100 bar

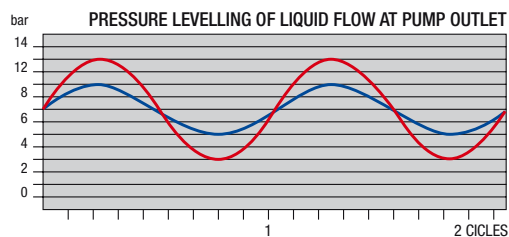


For best performance (Art. 38098) the pressure in the air reservoir must be equal to pump air feeding pressure

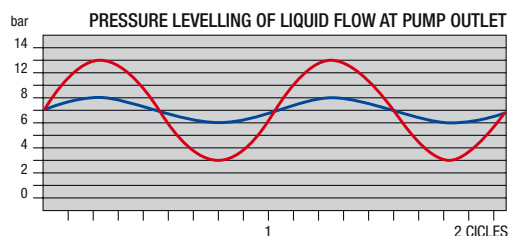
Air reservoir

Oil

Pressure trend of oil pump outlet



with pump R 3:1 - 8 bar
■ without chamber Art. 38097
■ with chamber Art. 38097



with pump R 3:1 - 8 bar
■ without chamber Art. 38098
■ with chamber Art. 38098