



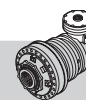
310

IT EN DE FR ES PT

RR310 .. **i**



	i 1/...	T ₂ [Nm]						n _{1max} [min ⁻¹]	T _{2max} [Nm]	P _t [kW]				
		n ₂ x h												
		10000 (10 ⁴)	25000 (2.5 · 10 ⁴)	50000 (5 · 10 ⁴)	100000 (10 ⁵)	500000 (5 · 10 ⁵)	1000000 (10 ⁶)							
RR310	3.40	3640	3440	3350	3070	2520	2040	3500	5500 (M.../FS)	20 (M.../S...)				
	4.00	3580	3310	2980	2650	2400	2010							
	5.00	2970	2500	2190	2020	1830	1750		6500 (S...)	14 (FS)				
	5.80	2610	2200	1930	1820	1650	1580							
	7.00	2020	1690	1500	1440	1300	1250							
RR310D	12.84	3580	3310	2980	2650	2400	1950	3500	5500 (M.../FS)	12 (M.../S...)				
	16.40	3580	3310	2980	2650	2320	1880							
	21.68	3460	3090	2960	2650	2260	1840		6500 (S...)	9 (FS)				
	28.80	2270	2110	2030	1950	1770	1700							
	31.44	2610	2200	1930	1820	1650	1580							
	41.76	2610	2200	1930	1820	1650	1580							
	50.40	2020	1690	1500	1440	1300	1250							
	RR310T	57.56	3580	3310	2980	2650	2320				1880	3500	5500 (M.../FS)	8 (M.../S...)
76.26		3580	3310	2980	2650	2320	1880							
100.81		3460	3090	2960	2650	2260	1840	6500 (S...)	6 (FS)					
134.63		3460	3090	2960	2650	2260	1840							
146.18		2610	2200	1930	1820	1650	1580							
178.85		2270	2110	2030	1950	1770	1700							
195.22		2610	2200	1930	1820	1650	1580							
223.56		2750	2500	2190	2020	1830	1750							
259.33		2610	2200	1930	1820	1650	1580							
312.98		2020	1690	1500	1440	1300	1250							
RR310Q		357.47	3580	3310	2980	2650	2320			1880	3500		5500 (M.../FS)	7 (M.../S...)
		473.57	3580	3310	2980	2650	2320			1880				
	513.08	2610	2200	1930	1820	1650	1580	6500 (S...)	5 (FS)					
	626.04	3460	3090	2960	2650	2260	1840							
	836.07	3460	3090	2960	2650	2260	1840							
	907.76	2610	2200	1930	1820	1650	1580							
	1110.65	2270	2110	2030	1950	1770	1700							
	1212.30	2610	2200	1930	1820	1650	1580							
	1388.31	2750	2500	2190	2020	1830	1750							
	1610.44	2610	2200	1930	1820	1650	1580							
	1943.63	2020	1690	1500	1440	1300	1250							



RA310 .. **i**

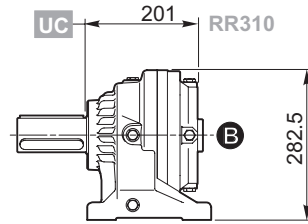
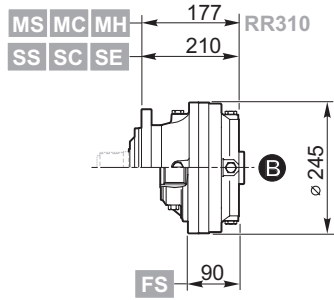


	i	T ₂ [Nm]						n _{1max} [min ⁻¹]	T _{2max} [Nm]	P _t [kW]
		n ₂ x h								
		10000 (10 ⁴)	25000 (2.5 · 10 ⁴)	50000 (5 · 10 ⁴)	100000 (10 ⁵)	500000 (5 · 10 ⁵)	1000000 (10 ⁶)			
RA310	10.95 12.88 18.68 22.54 29.44 34.15 41.22	2020 2310 2610 2020 1010 1140 1320	1700 1940 2200 1690 840 940 1120	1490 1700 1930 1500 780 890 1060	1350 1570 1820 1440 730 840 1000	1200 1390 1650 1300 640 740 880	1030 1150 1490 1250 610 700 830	3500	5500 (M.../FS) 6500 (S...)	18 (M.../S...) 14 (FS)
RA310D	41.34 52.81 69.81 92.74 101.22 134.47 162.29 169.57 185.10 211.97 223.39 245.88 296.76	3580 3580 3460 2270 2610 2610 2020 2270 2610 2750 2020 2610 2020	3310 3310 3090 2110 2200 2200 1690 2110 2200 2500 1690 2200 1690	2980 2980 2960 2030 1930 1930 1500 2030 1930 2190 1500 1930 1500	2650 2650 2650 1950 1820 1820 1440 1950 1820 2020 1440 1820 1440	2400 2320 2260 1770 1650 1650 1300 1770 1650 1830 1300 1650 1300	1950 1880 1840 1700 1580 1580 1250 1700 1580 1750 1250 1580 1250	3500	5500 (M.../FS) 6500 (S...)	13 (M.../S...) 11 (FS)
RA310T	216.51 286.22 357.77 372.10 431.64 475.27 551.32 628.29 834.62 968.16 1168.47 1220.94 1332.69 1526.17 1608.41 1770.36 2136.64	3580 3580 2970 2970 2610 2970 2610 2970 2750 2610 2020 2270 2610 2750 2020 2610 2020	3310 3310 2500 2500 2200 2500 2200 2500 2500 2200 1690 2110 2200 2500 1690 2200	2980 2980 2190 2190 1930 2190 1930 2190 2190 1820 1500 2030 1930 2190 1500 1930	2650 2650 2020 2020 1820 2020 1820 2020 2020 1820 1440 1950 1820 1440 1820 1440	2320 2320 1830 1830 1650 1830 1650 1830 1830 1650 1300 1770 1650 1830 1300 1650	1880 1880 1750 1750 1580 1750 1580 1750 1750 1580 1250 1700 1580 1750 1250 1580 1250	3500	5500 (M.../FS) 6500 (S...)	10 (M.../S...) 9 (FS)

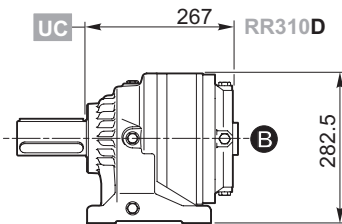
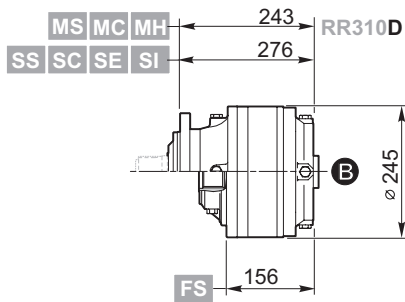


RR310 .. i ..

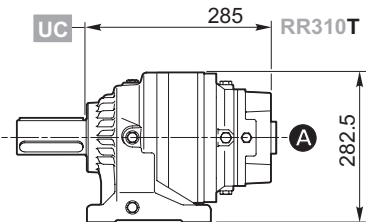
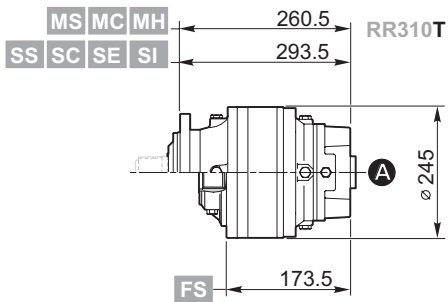
I



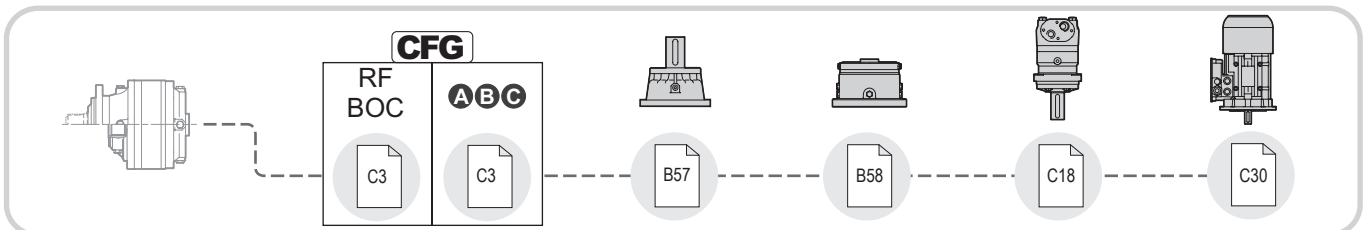
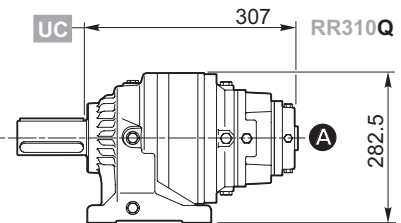
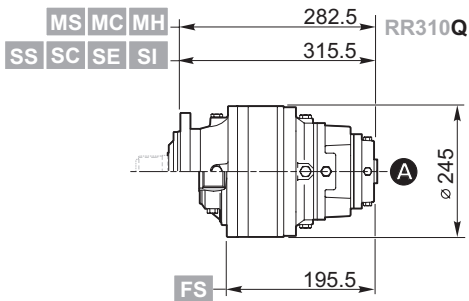
D

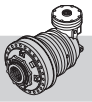


T

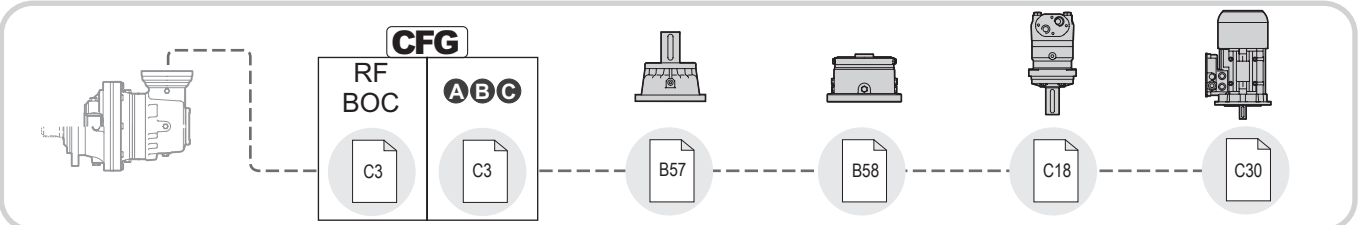
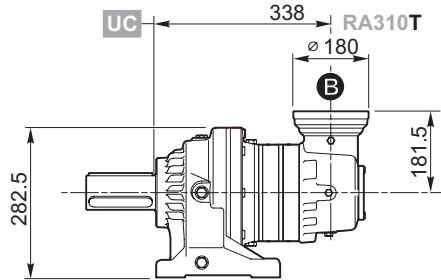
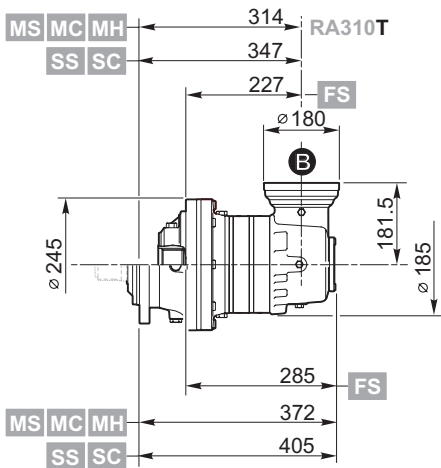
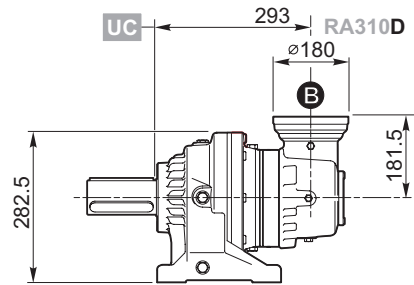
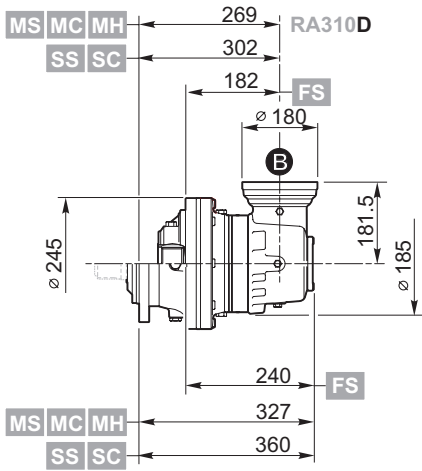
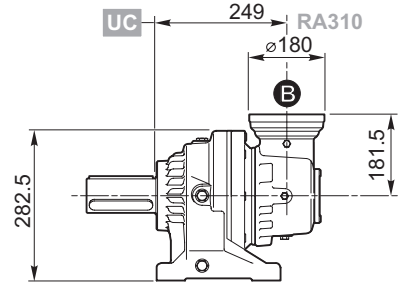
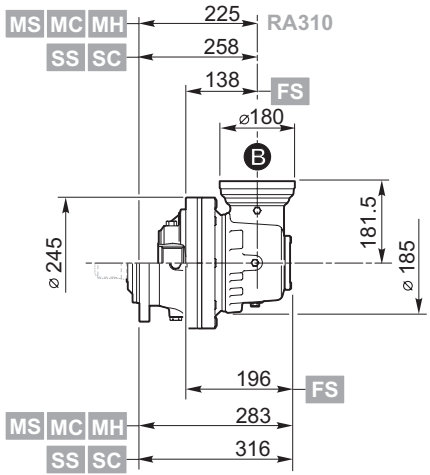


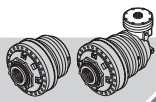
Q





RA310 .. i ..






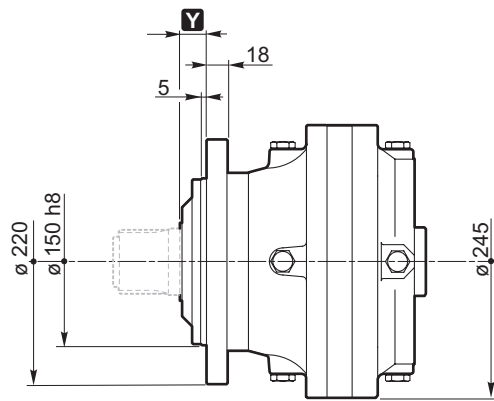





310

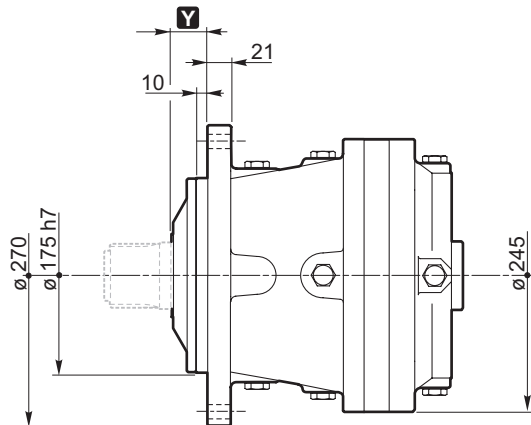
IT EN DEFRES PT

RR310	..	i	..
RA310

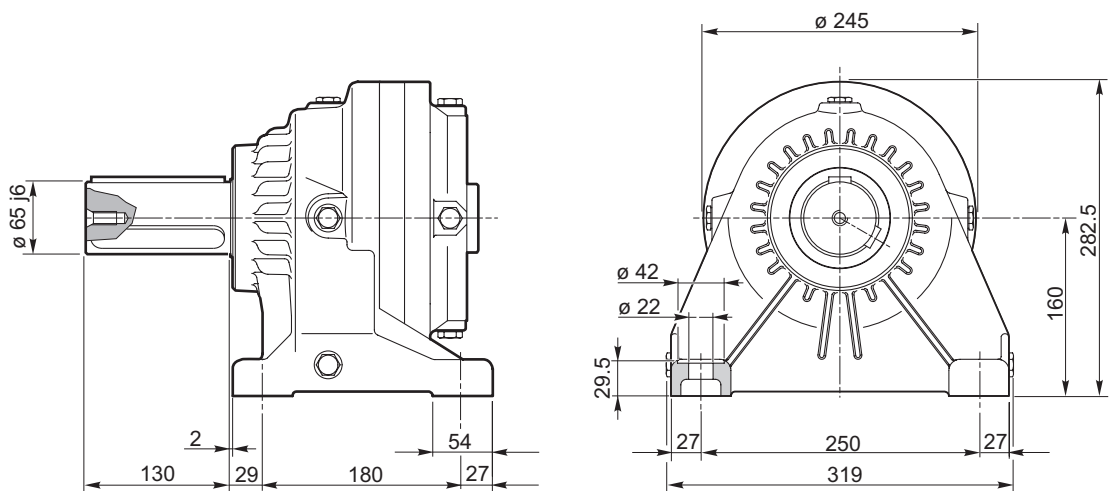
- MS** 
- MC** 
- MH** 

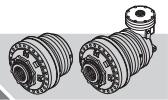


- SS** 
- SC** 
- SE** 

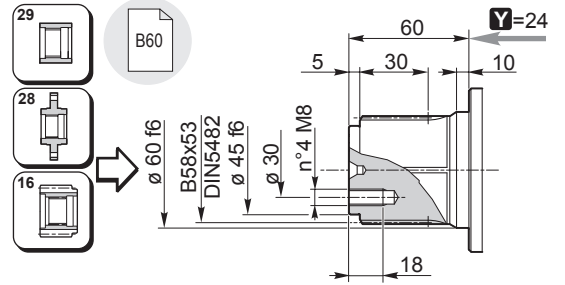
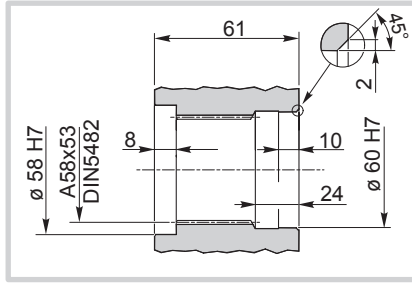
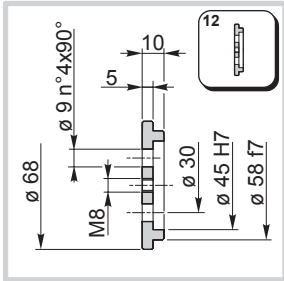


- UC** 

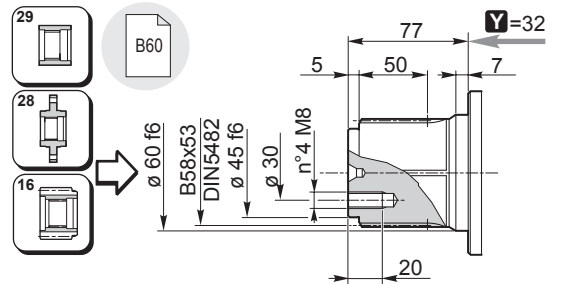
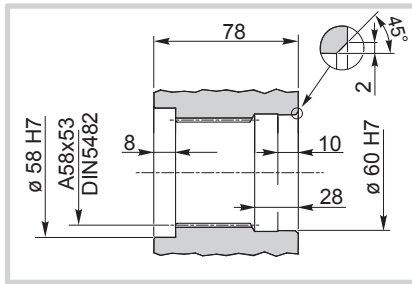




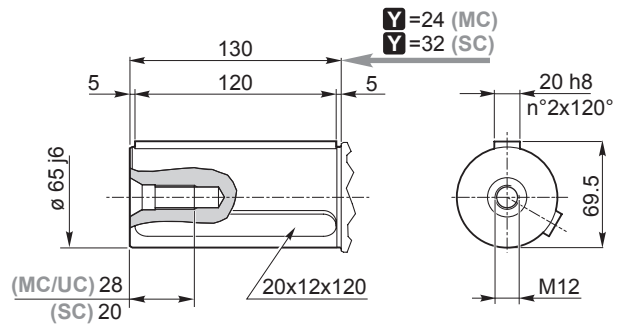
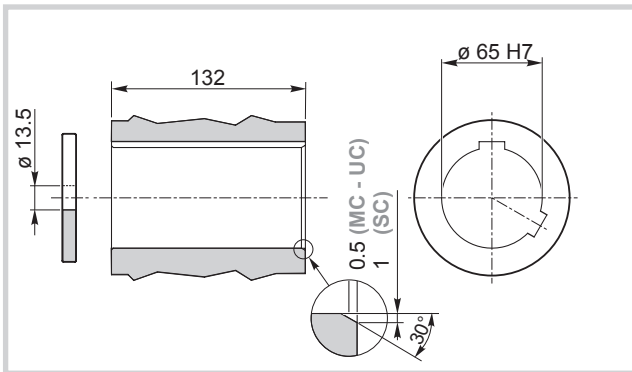
MS



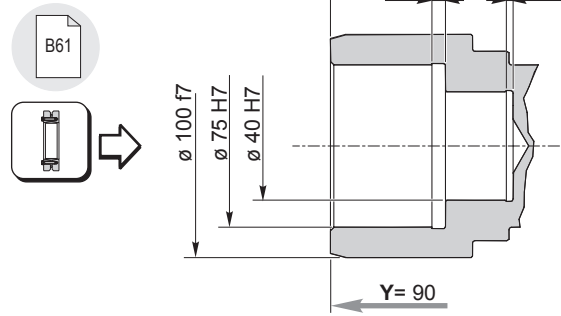
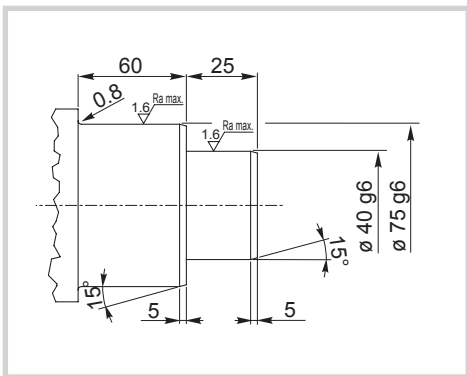
SS



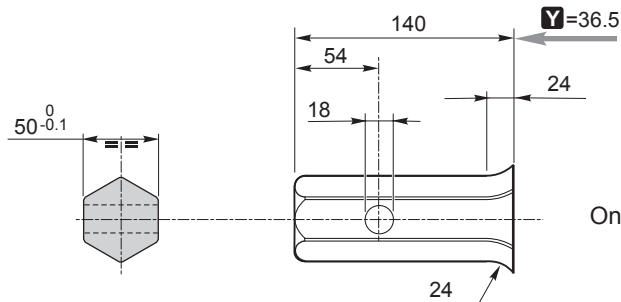
MC
SC
UC



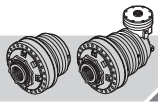
MH



SE



Only for RR310

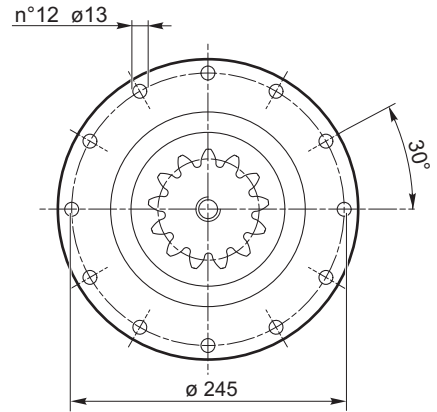
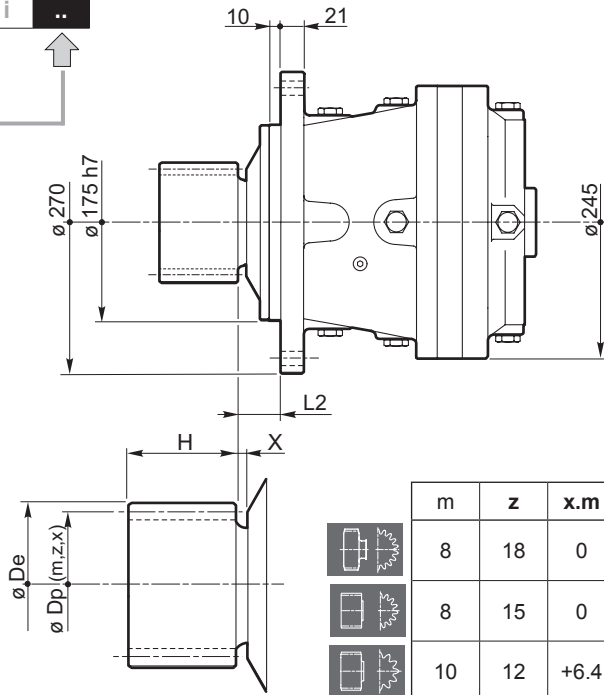


310

IT EN DEFRES PT

RR310 .. i ..

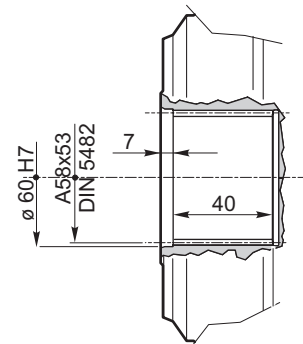
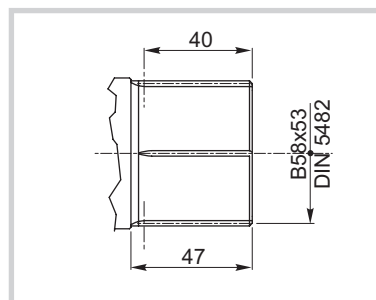
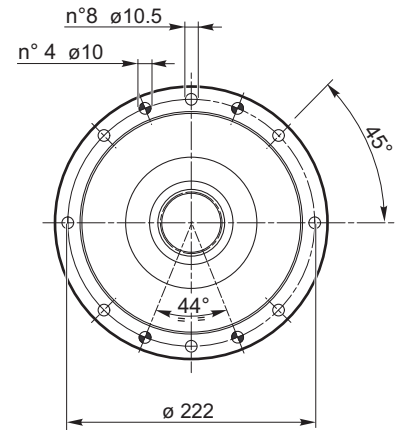
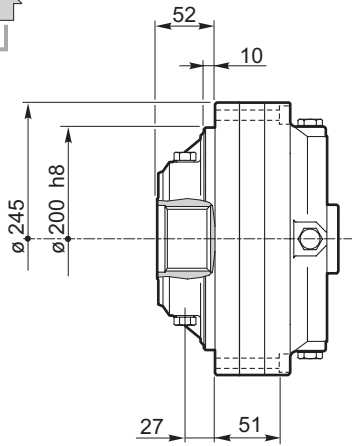
SI

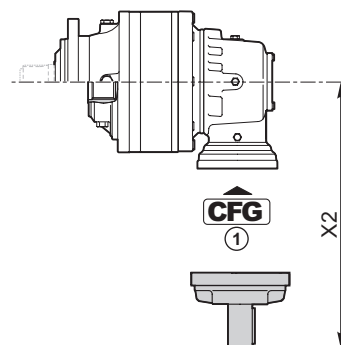
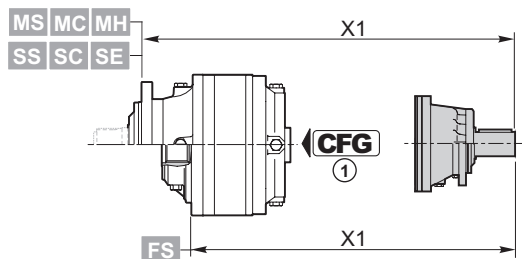
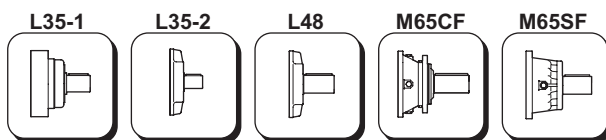


m	z	x.m	H	Dp	De	L2	X	code	
8	18	0	60	144	160	59	28.5	03-325	154F2898
8	15	0	80	120	136	36	5.5	03-500	154F2899
10	12	+6.4	80	120	149	40	9.5	03-579	154F5466

RR310
RA310 .. i FS

FS





	CFG ①		code	X1
RR310	RF	M65SF	154B4249	361.5 (M...) 274.5 (FS) 394.5 (S...)
	RF	M65CF	154-2407	384.5 (M...) 297.5 (FS) 417.5 (S...)
	BOC	L48	154B3989	298.5 (M...) 211.5 (FS) 331.5 (S...)
RR310D	BOC	L35-2	154-2190M1	332.5 (M...) 245.5 (FS) 365.5 (S...)
RR310T	RF	L35-1	154B4054	348.5 (M...) 261.5 (FS) 381.5 (S...)
RR310Q	RF	L35-1	154B4054M1	370.5 (M...) 283.5 (FS) 403.5 (S...)

	CFG ①		code	X2
RA310	BOC	L35-2	154-2190M1	270.5
RA310D	BOC	L35-2	154-2190M1	270.5
RA310T	BOC	L35-2	154-2190M1	270.5

CFG

RF
BOC

①

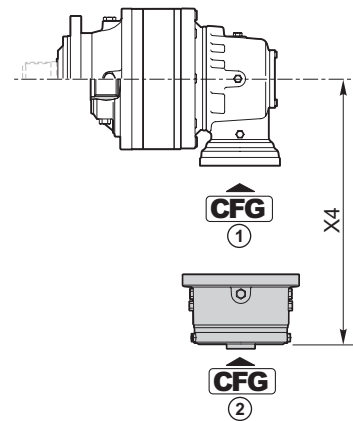
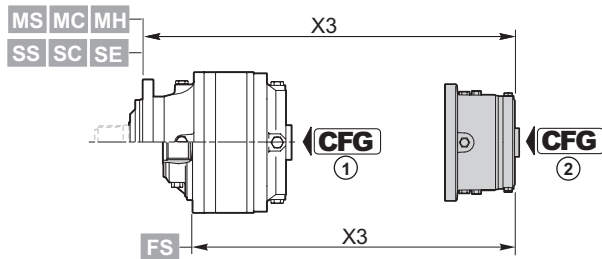
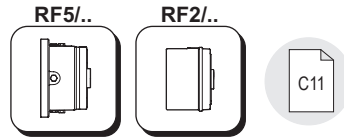
A
B
C

①



310

IT EN DE FR ES PT



RF5/..	CF1	T _f [Nm]	CF2						
			B			OMTS 12/24 z16	OMVS 10/20 z16	X3	X4
			code	X3	X4	code	code		
RR310	RF	210	154-2872	267.5 (M...) 180.5 (FS) 300.5 (S...)	—	154-2879	154-2886	271.2 (M...) 184.2 (FS) 304.2 (S...)	—
		290	154-2873			154-2880	154-2887		
		430	154-2874			154-2881	154-2888		
		650	154-2875			154-2882	154-2889		
		850	154-2876			154-2883	154-2890		
		1100	154-2877			154-2884	154-2891		
		1300	154-2878			154-2885	154-2892		

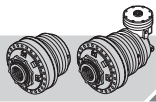
CF3	
RF BOC	C3
A B C	C3



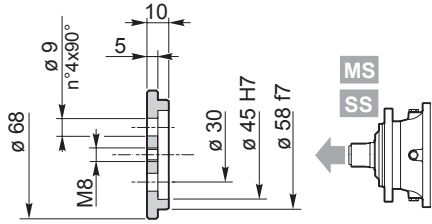
RF2/..	CFG ①	T _f [Nm]	CFG ②						
			B		OMP/OMR SAE A 2B Ø 25	OMP/OMR SAE A 2B 1" 6B	OMP/OMR SAE A 4B Ø 25	OMP/OMR SAE A 4B 1" 6B	X3
			code	X3	code	code	code	code	
RR310	RF	70	154-2345	240 (M...) 153 (FS) 273 (S...)	154-2345M10	154-2345M11	154-2345M16	154-2345M17	230 (M...) 143 (FS) 263 (S...)
		140	154-2346		154-2346M10	154-2346M11	154-2346M16	154-2346M17	
		210	154-2347		154-2347M10	154-2347M11	154-2347M16	154-2347M17	
		320	154-2348		154-2348M10	154-2348M11	154-2348M16	154-2348M17	
		430	154-2349		154-2349M10	154-2349M11	154-2349M16	154-2349M17	
		600	154B9186		154B9186M10	154B9186M11	154B9186M16	154B9186M17	
RR310D	RF	70	154-2838M1	281.5 (M...) 194.5 (FS) 314.5 (S...)	154-2863	154-2863M11	154-2635	154-2635M11	271.5 (M...) 184.5 (FS) 304.5 (S...)
		140	154-2839M1		154-2864	154-2864M11	154-2636	154-2636M11	
		210	154-2840M1		154-2865	154-2865M11	154-2637	154-2637M11	
		320	154-2841M1		154-2866	154-2866M11	154-2638	154-2638M11	
		430	154-2842M1		154-2867	154-2867M11	154-2639	154-2639M11	
		600	154B8962M1		154B9665	154B9665M11	154B9666	154B9666M11	

	CFG ①	T _f [Nm]	CFG ②						
			A		OMP/OMR SAE A 2B Ø 25	OMP/OMR SAE A 2B 1" 6B	OMP/OMR SAE A 4B Ø 25	OMP/OMR SAE A 4B 1" 6B	X3
			code	X3	code	code	code	code	
RR310T	RF	70	154-2832M1	326.5 (M...) 240 (FS) 359.5 (S...)	154-2858M1	154-2858M5			322 (M...) 235 (FS) 355 (S...)
		140	154-2833M1		154-2859M1	154-2859M5			
		210	154-2834M1		154-2860M1	154-2860M5			
		320	154-2836M1		154-2861M1	154-2861M5			
		430	154-2837M1		154-2862M1	154-2862M5			
		600	154B8959M1		154B9663M1	154B9663M5			
RR310Q	RF	70	154-2832M3	348.5 (M...) 262 (FS) 381.5 (S...)	154-2858M3	154-2858M7			344.5 (M...) 257.5 (FS) 377.5 (S...)
		140	154-2833M3		154-2859M3	154-2859M7			
		210	154-2834M3		154-2860M3	154-2860M7			
		320	154-2836M3		154-2861M3	154-2861M7			
		430	154-2837M3		154-2862M3	154-2862M7			
		600	154B8959M3		154B9663M3	154B9663M7			

	CFG ①	T _f [Nm]	CFG ②						
			B		OMP/OMR SAE A 2B Ø 25	OMP/OMR SAE A 2B 1" 6B	OMP/OMR SAE A 4B Ø 25	OMP/OMR SAE A 4B 1" 6B	X4
			code	X4	code	code	code	code	
RA310	RF	70	154-2838M12	223.8	154-2863M12	154-2863M13	154-2635M12		213.8
		140	154-2839M12		154-2864M12	154-2864M13	154-2636M12		
		210	154-2840M12		154-2865M12	154-2865M13	154-2637M12		
		320	154-2841M12		154-2866M12	154-2866M13	154-2638M12		
		430	154-2842M12		154-2867M12	154-2867M13	154-2639M12		
		600	154B8962M12		154B9665M12	154B9665M13	154B9666M12		
RA310D	RF	70	154-2838M12	223.8	154-2863M12	154-2863M13	154-2635M12		213.8
		140	154-2839M12		154-2864M12	154-2864M13	154-2636M12		
		210	154-2840M12		154-2865M12	154-2865M13	154-2637M12		
		320	154-2841M12		154-2866M12	154-2866M13	154-2638M12		
		430	154-2842M12		154-2867M12	154-2867M13	154-2639M12		
		600	154B8962M12		154B9665M12	154B9665M13	154B9666M12		
RA310T	RF	70	154-2838M12	223.8	154-2863M12	154-2863M13	154-2635M12		213.8
		140	154-2839M12		154-2864M12	154-2864M13	154-2636M12		
		210	154-2840M12		154-2865M12	154-2865M13	154-2637M12		
		320	154-2841M12		154-2866M12	154-2866M13	154-2638M12		
		430	154-2842M12		154-2867M12	154-2867M13	154-2639M12		
		600	154B8962M12		154B9665M12	154B9665M13	154B9666M12		

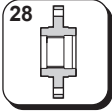


Kg 0.2

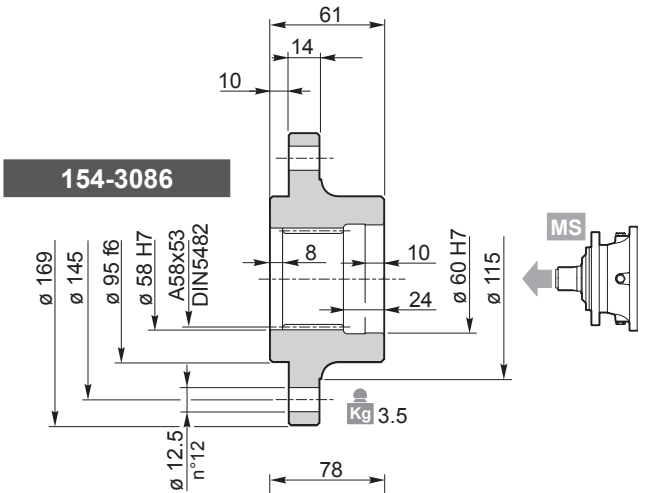


154-3061

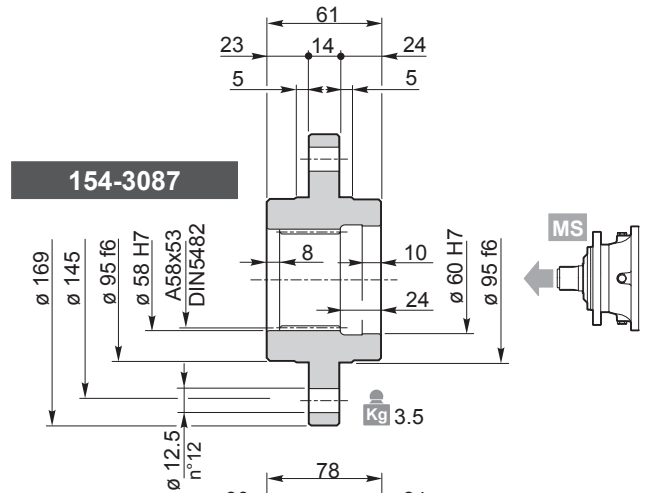
Materiale / Material / Material / Matériau / Material / Material:
 Acciaio / Steel / Stahl / Acier / Acero / Aço
 C40 EN 10083-1 (1.1186)



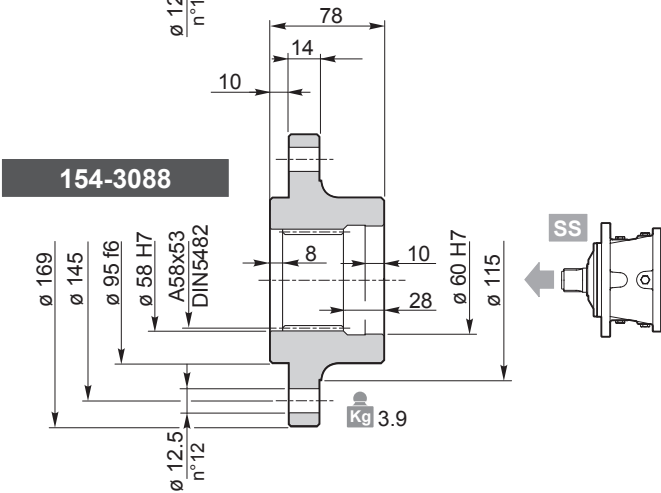
Materiale / Material / Material / Matériau / Material / Material:
 Acciaio / Steel / Stahl / Acier / Acero / Aço EN 10083-1-C40 (1.1186)



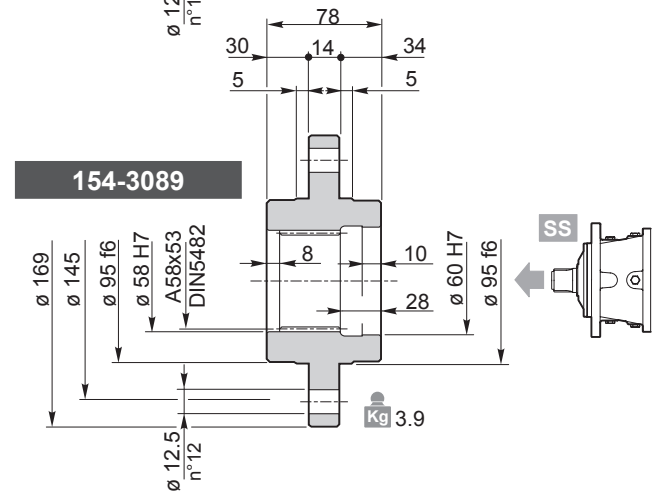
154-3086



154-3087



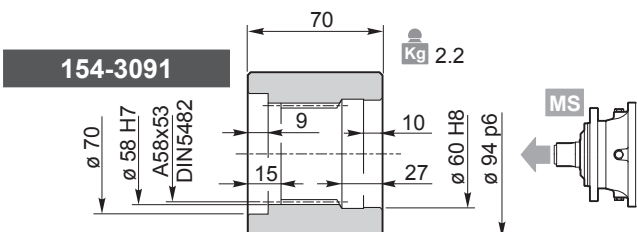
154-3088



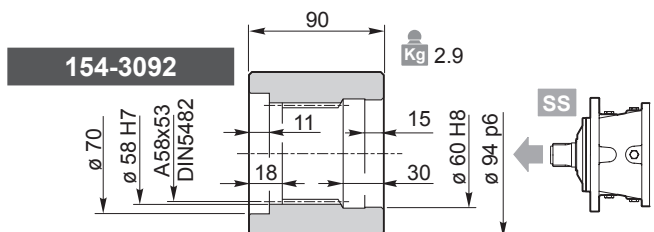
154-3089



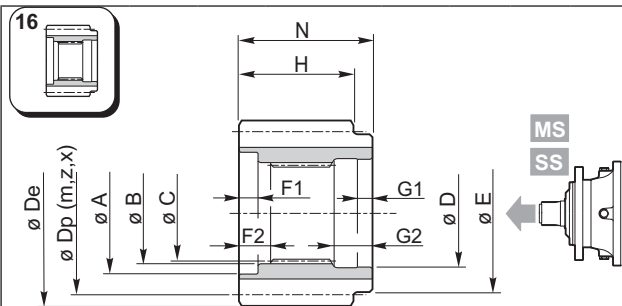
Materiale / Material / Material / Matériau / Material / Material:
 Acciaio / Steel / Stahl / Acier / Acero / Aço 39NiCrMo3 UNI 7845 (1.6511)



154-3091



154-3092



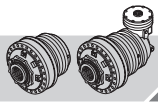
Materiale / Material / Material
 Matériau / Material / Material
 Acciaio / Steel / Stahl / Acier / Acero / Aço
 39NiCrMo3 UNI 7845 (1.6511)

	A	B	C	D	E	F1	F2	G1	G2	N	m	z	x	H	Dp	De	Code
MS	70	58 H7	DIN5482 A58x53	60 H7	72	7	13	12	27	68	4.5	18	0.4444	65	81	93	154-3106
	70	58 H7	DIN5482 A58x53	60 H7	68	7	13	10	27	68	5	17	0.4	65	85	98	154-2287
	70	58 H7	DIN5482 A58x53	60 H7	68	7	13	10	27	68	5	19	0	65	95	104	154-2286
	70	58 H7	DIN5482 A58x53	60 H7	75	7	13	12	27	68	6	14	0.5	65	84	101.5	154-3082
	70	58 H7	DIN5482 A58x53	60 H7	68	7	13	10	27	68	6	15	0.25	65	90	103	154-3107
	70	58 H7	DIN5482 A58x53	60 H7	68	7	13	10	27	68	6	16	0.25	65	96	109	154-3245
	70	58 H7	DIN5482 A58x53	60 H7	78	7	13	12	27	68	8	12	0.5	65	96	118	154-3074
	70	58 H7	DIN5482 A58x53	60 H7	68	7	13	10	27	68	8	14	0	65	112	126	154-3250
	70	58 H7	DIN5482 A58x53	60 H7	78	7	13	12	27	68	8	15	0	65	120	136	154-3246
	70	58 H7	DIN5482 A58x53	60 H7	68	7	13	10	27	68	8	15	0.25	65	120	138	154-3235
	70	58 H7	DIN5482 A58x53	60 H7	78	7	13	12	27	68	8	18	0	65	144	158	154-3103
	70	58 H7	DIN5482 A58x53	60 H7	78	7	13	12	27	68	10	10	0.25	65	100	124.5	154-3075
	70	58 H7	DIN5482 A58x53	60 H7	78	7	13	12	27	68	10	12	0.475	65	120	149.5	154-3105
	70	58 H7	DIN5482 A58x53	60 H7	68	7	13	10	27	68	10	15	0	65	150	167	154-3248
SS	70	58 H7	DIN5482 A58x53	60 H7	78	5	12	12	30	84	6	14	0.5	80	84	101.5	154-3238
	70	58 H7	DIN5482 A58x53	60 H7	78	5	12	12	30	84	6	16	0.4167	80	96	111	154-3234
	70	58 H7	DIN5482 A58x53	60 H7	78	5	12	12	30	84	6	19	0	80	114	126	154-2706
	70	58 H7	DIN5482 A58x53	60 H7	78	6	12	10	30	84	6	24	0	80	144	154	154-3101
	70	58 H7	DIN5482 A58x53	60 H7	78	5	12	12	30	84	7	13	0.5	80	91	109	154-3038
	70	58 H7	DIN5482 A58x53	60 H7	78	5	12	12	30	84	8	12	0.5	80	96	118	154-3076
	70	58 H7	DIN5482 A58x53	60 H7	78	5	12	12	30	84	8	13	0.35	80	104	125.6	154-3236
	70	58 H7	DIN5482 A58x53	60 H7	78	5	12	12	30	84	8	15	0.25	80	120	138	154-2288
	70	58 H7	DIN5482 A58x53	60 H7	78	5	12	12	30	84	8	18	0	80	144	158	154-2716
	70	58 H7	DIN5482 A58x53	60 H7	78	5	12	12	30	84	10	10	0.25	80	100	124.5	154-3067
	70	58 H7	DIN5482 A58x53	60 H7	78	5	12	12	30	84	10	12	0.475	80	120	149.5	154-3077
	70	58 H7	DIN5482 A58x53	60 H7	78	5	12	12	30	84	10	13	0	80	130	148	154-3070
	70	58 H7	DIN5482 A58x53	60 H7	78	5	12	12	30	84	10	14	0.4	80	140	164	154-2289
	70	58 H7	DIN5482 A58x53	60 H7	78	5	12	12	30	84	10	15	0	80	150	169	154-3078
70	58 H7	DIN5482 A58x53	60 H7	78	5	12	12	30	84	10	16	0	80	160	178	154-3108	

154-3052

Materiale / Materiale / Material
 Matériau / Material / Material:
 Acciaio / Steel / Stahl / Acier / Acero / Aço
 39NiCrMo3 UNI 7845 (1.6511)

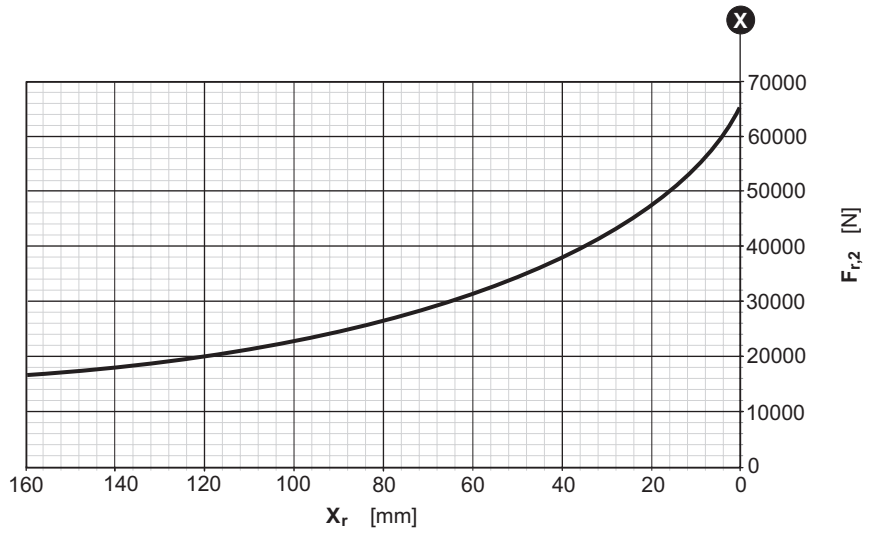
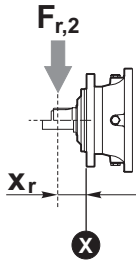
154B3090



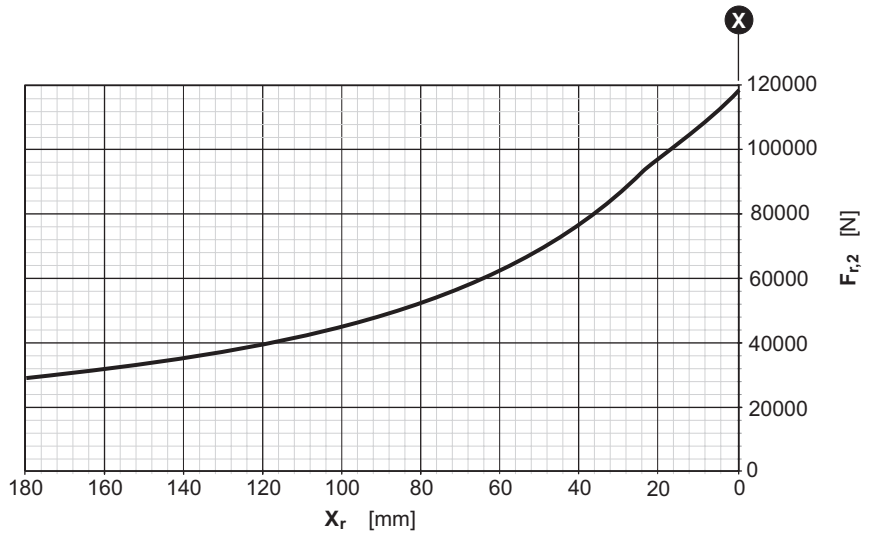
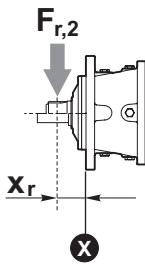
310

IT EN DE FR ES PT

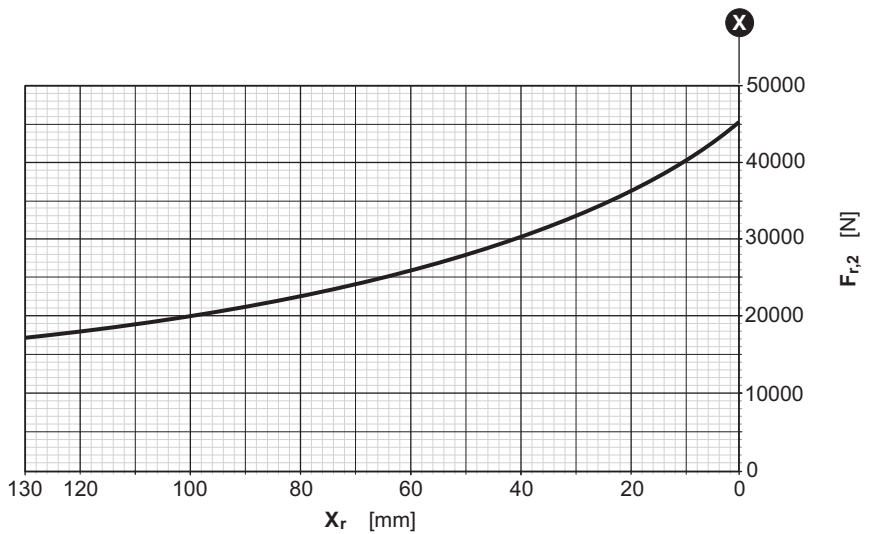
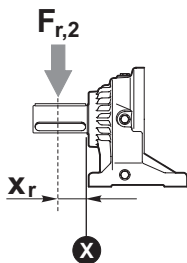
RR	310	..	MS
RA			MC

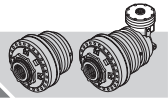


RR	310	..	SS
RA			SC
			SE

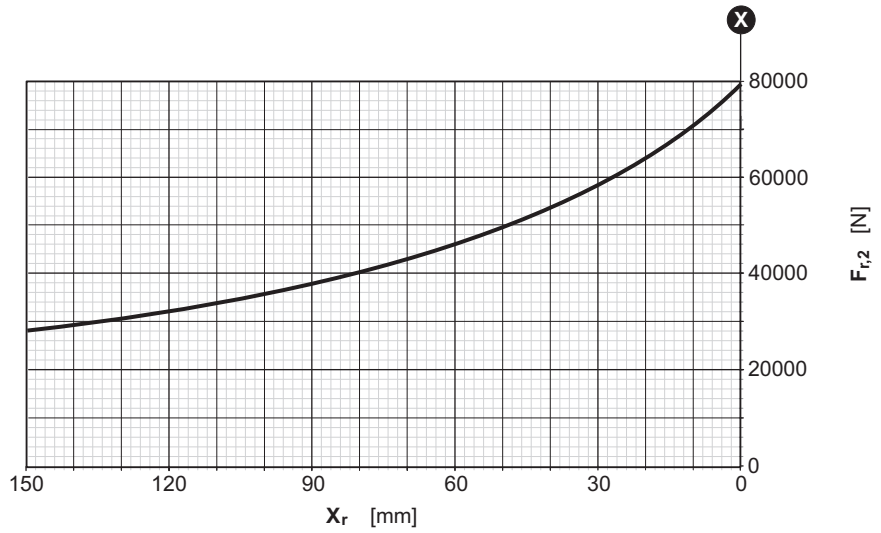
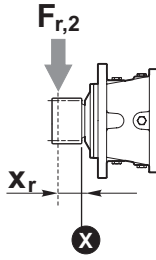


RR	310	..	UC
RA			





RR 310 .. SI



Fattore correttivo k_{r2} / k_{r2} Corrective coefficient / Korrekturfaktor k_{r2}
 Facteur correctif k_{r2} / Factor de corrección k_{r2} / Fator corretivo k_{r2}

