

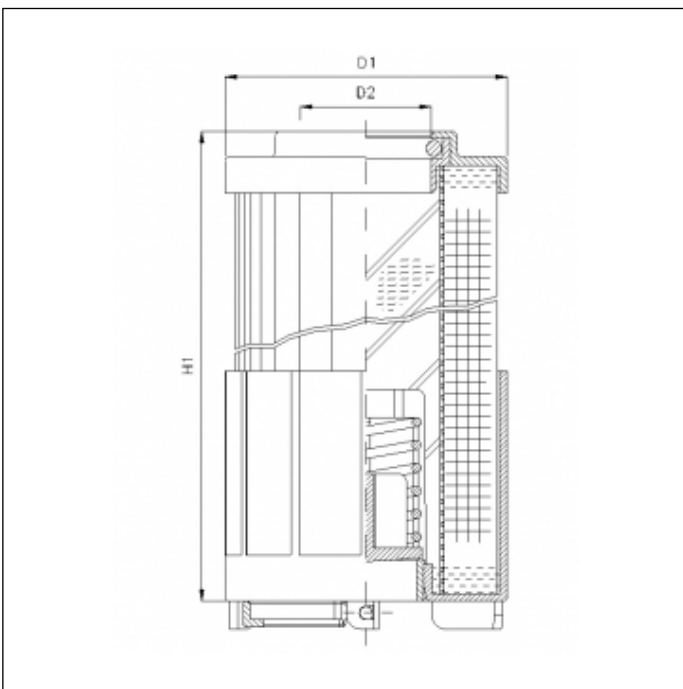
R631G10

printed on: 16-12-2023



TECHNICAL INFO

| | |
|---------------------|--|
| Media type | INORGANIC FIBERGLASS |
| Efficiency | 10 $\mu\text{m}_{(c)}$ $\beta_x \geq 200$ |
| Efficiency 1 | 12 $\mu\text{m}_{(c)}$ $\beta_x \geq 1000$ |
| Flow direction | OUT-IN |
| Collapse Δp | 10 bar |
| Bypass setting | 2.5 bar |
| Seals | NBR |
| Temperature range | -30°C +100°C |



OVERALL DIMENSIONS

| | |
|----|----------|
| D1 | 61,5 mm |
| D2 | 28,5 mm |
| H1 | 305,0 mm |