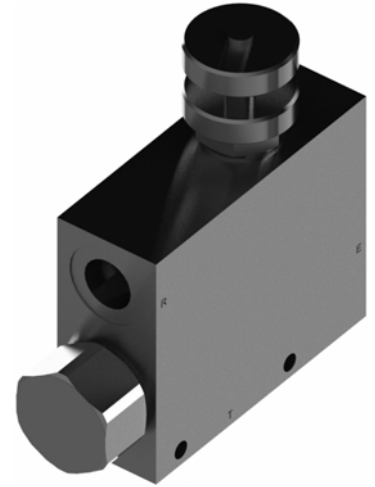
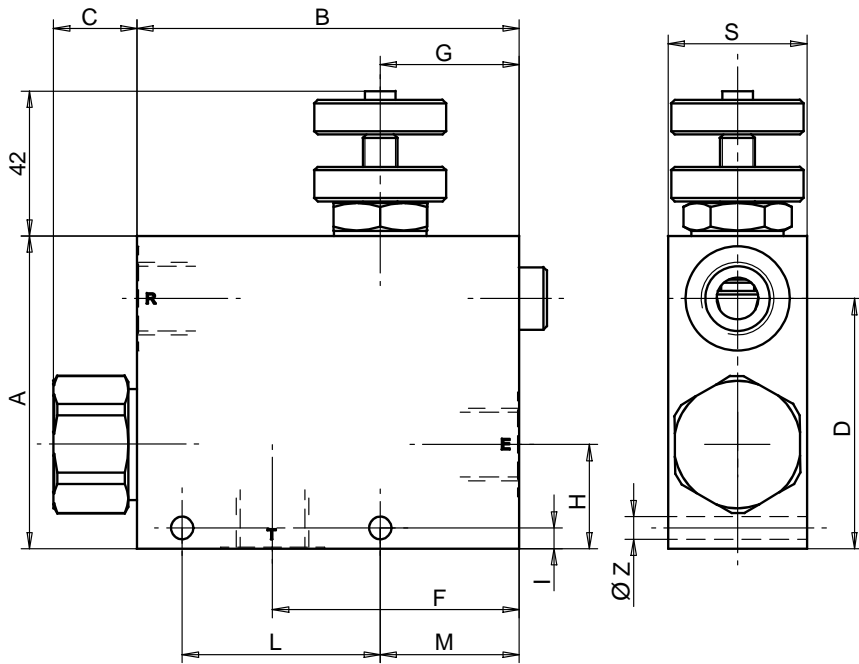
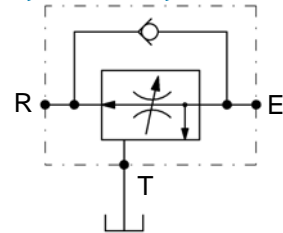


Dimensions



Size	A	B	C	D	F	G	H	I	L	M	S	Z
02	90	110	24	72	71	40	30	6	57	40	40	6,5
03	90	110	24	72	71	40	30	6	57	40	40	6,5
04	110	130	24	87	86	50	35	7	70	50	50	8,5

Hydraulic Symbol



Features

Size	02	03	04
Max Pressure (bar)	210		
Ports E-R	G 3/8	G 1/2	G 3/4
QE max (lpm)	55	90	150
QR max (lpm)	30	90	150

Materials: Zinc plated steel cartridge, hardened steel inner parts.
Aluminium manifold.

Ordering Code

PVETR - -

	Size BSP
02	3/8
03	1/2
04	3/4