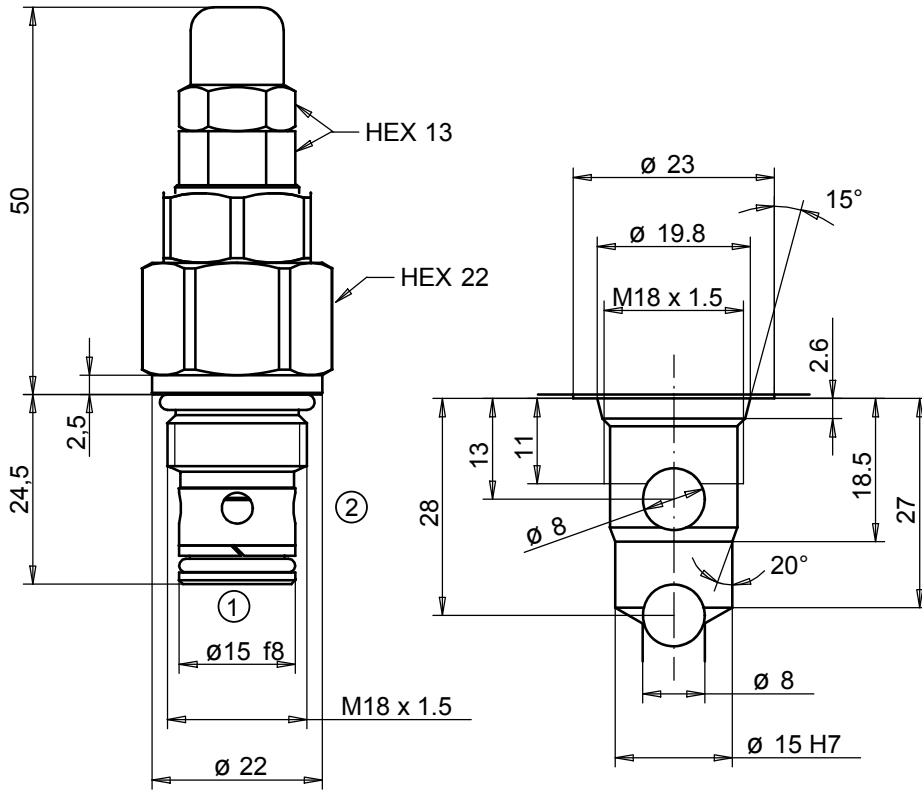
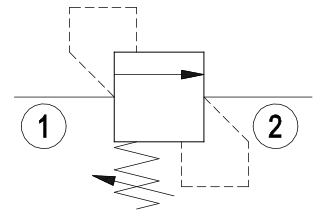


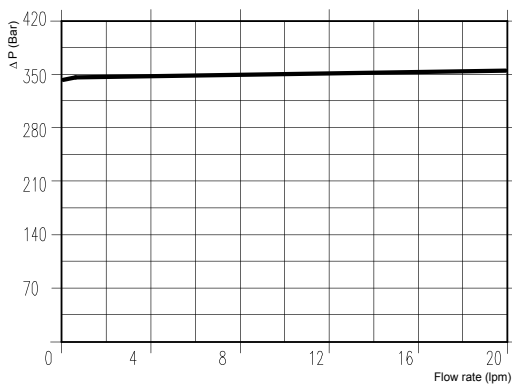
Dimensions



Hydraulic Symbol



Curves



Features

Max Pressure	350 bar
Max Flow	20 lpm
Installation torque	35-40 Nm

Materials: Zinc plated steel cartridge, hardened steel inner parts.

Ordering Code

PRC 20M18 --

	Spring (bar)
10	5-50
30	10-210

Ordering Code Example: PRC20M1830 = 10-210 bar setting range, Socket Screw adjustment.