

POMPE AD INGRANAGGI FISSAGGIO 4 FORI-ASAE FEMMINA

CODICE FAMIGLIA
FAMILY CODE

105-061-1

4 HOLES-ASAE HYDRAULIC GEAR PUMPS

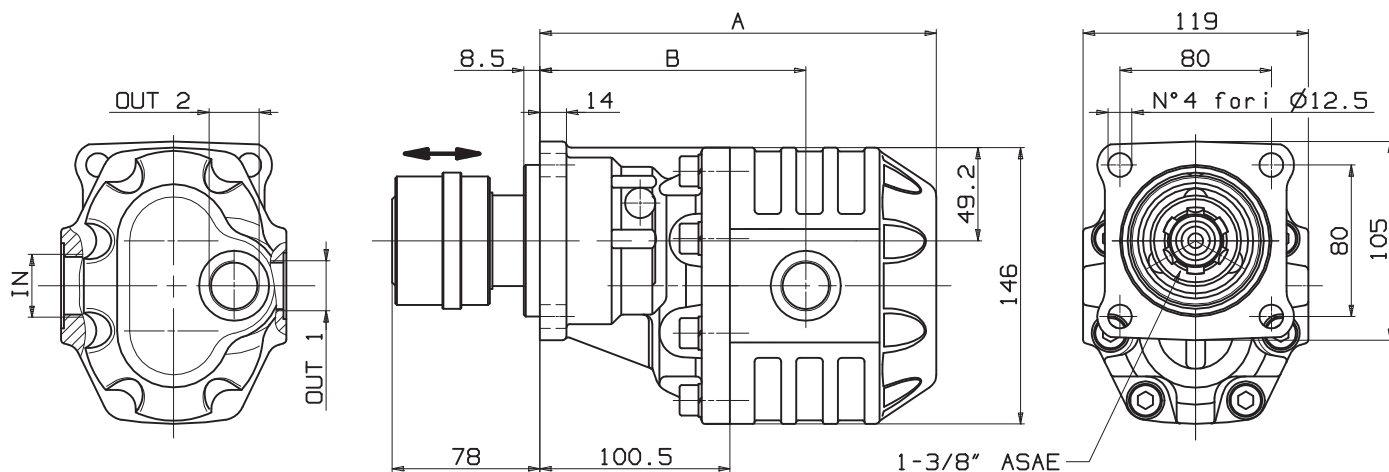
NPH ASAE-F

Codice fascicolo: 997-400-10515



| | | | | | |
|---|--|---|----------|---------|------|
| Fluido idraulico Fluid | Minerale o sintetico compatibile con guarnizioni: Mineral or synthetic compatible with the following seals: NBR, FKM, FPM, Nylon | | | | |
| Viscosità cinematica consigliata Kinematic viscosity suggested | T media ambiente (°C) Average ambient temp. (°C) | < -10 | -10 ÷ 10 | 10 ÷ 35 | > 35 |
| | VG (cSt = mm ² /s) | 22 | 32 | 46 | 68 |
| Viscosità cinematica ottimale di esercizio Optimale kinematic viscosity | | VG = 10 cSt ÷ 100 cSt | | | |
| Viscosità cinematica max consentita all'avviamento Max kinematic viscosity suggested at the start-up | | VG = 750 cSt | | | |
| Indice di viscosità consigliato Viscosity index suggested | VI > 100 | Temperatura di esercizio Working temperature -15°C +100°C | | | |
| Grado di filtrazione Oil filtering | | > 200 bar: 10 µm < 200 bar: 25 µm | | | |
| Pressione di aspirazione Inlet pressure | | -0,3 ÷ 2 bar | | | |
| Senso di rotazione Pump rotation | | Unidirezionale (DX o SX) Unidirectional (Right or Left) | | | |

Data: Lunedì 20 febbraio 2012

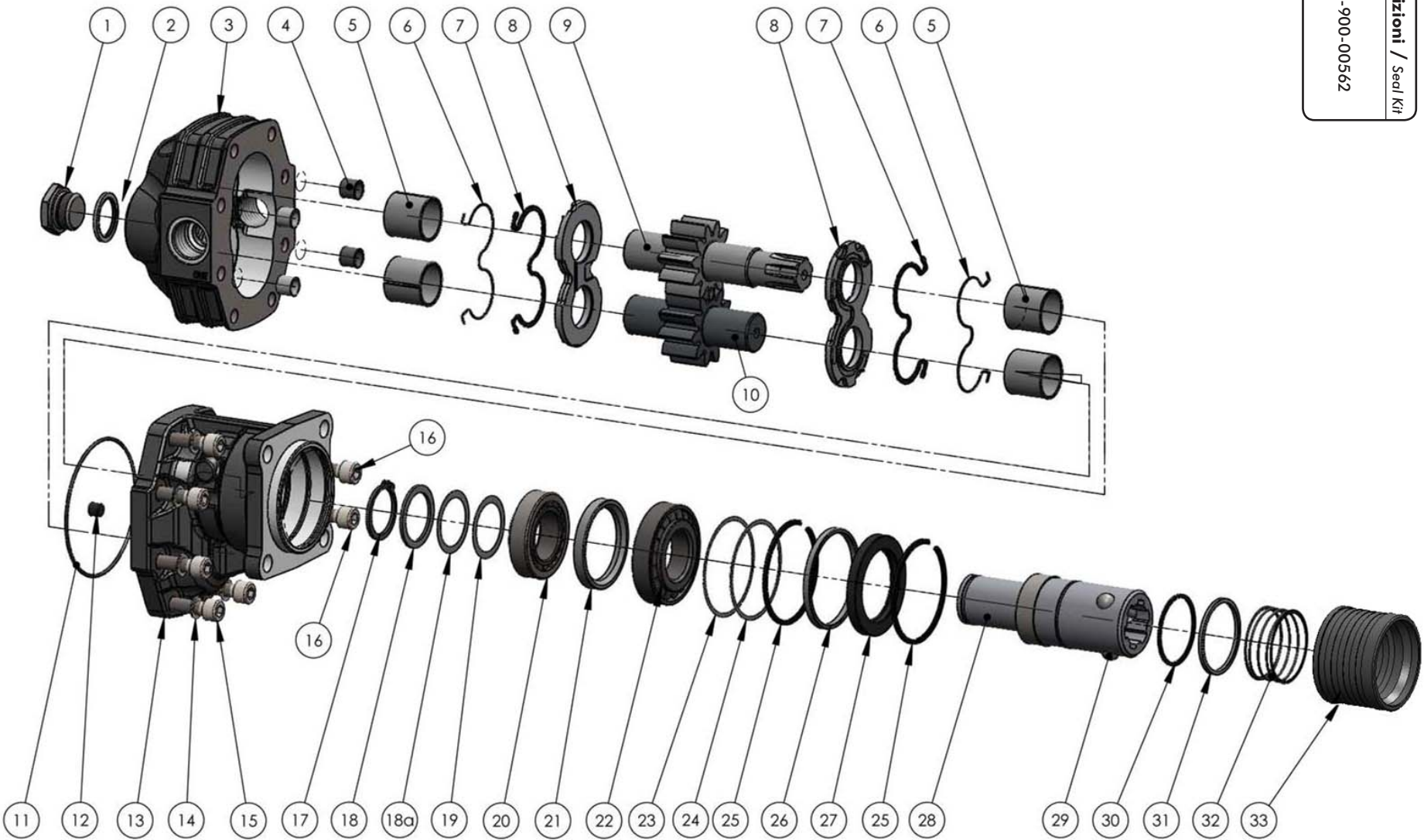


Codice foglio: 997-105-06102 Rev: AB

| Tipo pompa Pump type | Rotazione / Rotation | | IN ISO 228 | OUT 1 ISO 228 | OUT 2 ISO 228 | A mm | B mm | Peso Weight Kg |
|-----------------------------|----------------------|------------------|---------------|------------------|------------------|---------|---------|----------------------|
| | Destra Right | Sinistra Left | | | | | | |
| NPH-17 | 105-061-10173 | 105-061-10182 | G 1/2 | G 1/2 | | 168.5 | 119.5 | 11 |
| NPH-22 | 105-061-10226 | 105-061-10235 | | | | 172 | 121.5 | 11.5 |
| NPH-27 | 105-061-10271 | 105-061-10280 | | | | 174.5 | 124.5 | 12 |
| NPH-34 | 105-061-10342 | 105-061-10351 | G 3/4 | | | 179.5 | 125 | 13 |
| NPH-43 | 105-061-10431 | 105-061-10440 | | | | 185.5 | 130 | 13.5 |
| NPH-51 | 105-061-10511 | 105-061-10520 | G 1 | G 3/4 | | 190.5 | 130.5 | 14 |
| NPH-51 S203.14-2 | | 105-061-30526 | | | | 190.5 | 130.5 | 14 |
| NPH-61 | 105-061-10619 | 105-061-10628 | | | | 196.5 | 136.5 | 14.5 |
| NPH-73 | 105-061-10735 | 105-061-10744 | | | | 204.5 | 135.5 | 15 |
| NPH-82 | 105-061-10824 | 105-061-10833 | | | | 209.5 | 140.5 | 15.5 |
| NPH-100 | 105-061-11001 | 105-061-11010 | G 1 1/4 | G 1 | G 3/4 | 226.5 | 154.5 | 15 |
| NPH-125 | 105-061-11252 | 105-061-11261 | | | | 242.5 | 158.5 | 17 |

pag.17

| | |
|---------------|----------------------------|
| 6 | Kit guarnizioni / Seal Kit |
| 7 | |
| 11 | |
| 27 | |
| 105-900-00562 | |



pag. 18

COMPANY WITH
QUALITY SYSTEM
CERTIFIED BY DNV
= ISO 9001 =

O.M.F.B. Hydraulic Components

We reserve the right to make any changes without notice.
Edition: 2003.02 No reproduction, however partial, is permitted.
Via Cove, 7/9 25050 Pionaglia d'Isco (Brescia) Italy Tel.: +39 030 9830611
Fax: +39 030 9839207-208 Internet: www.omfb.it e-mail: info@omfb.it

OMFB
HYDRAULIC COMPONENTS



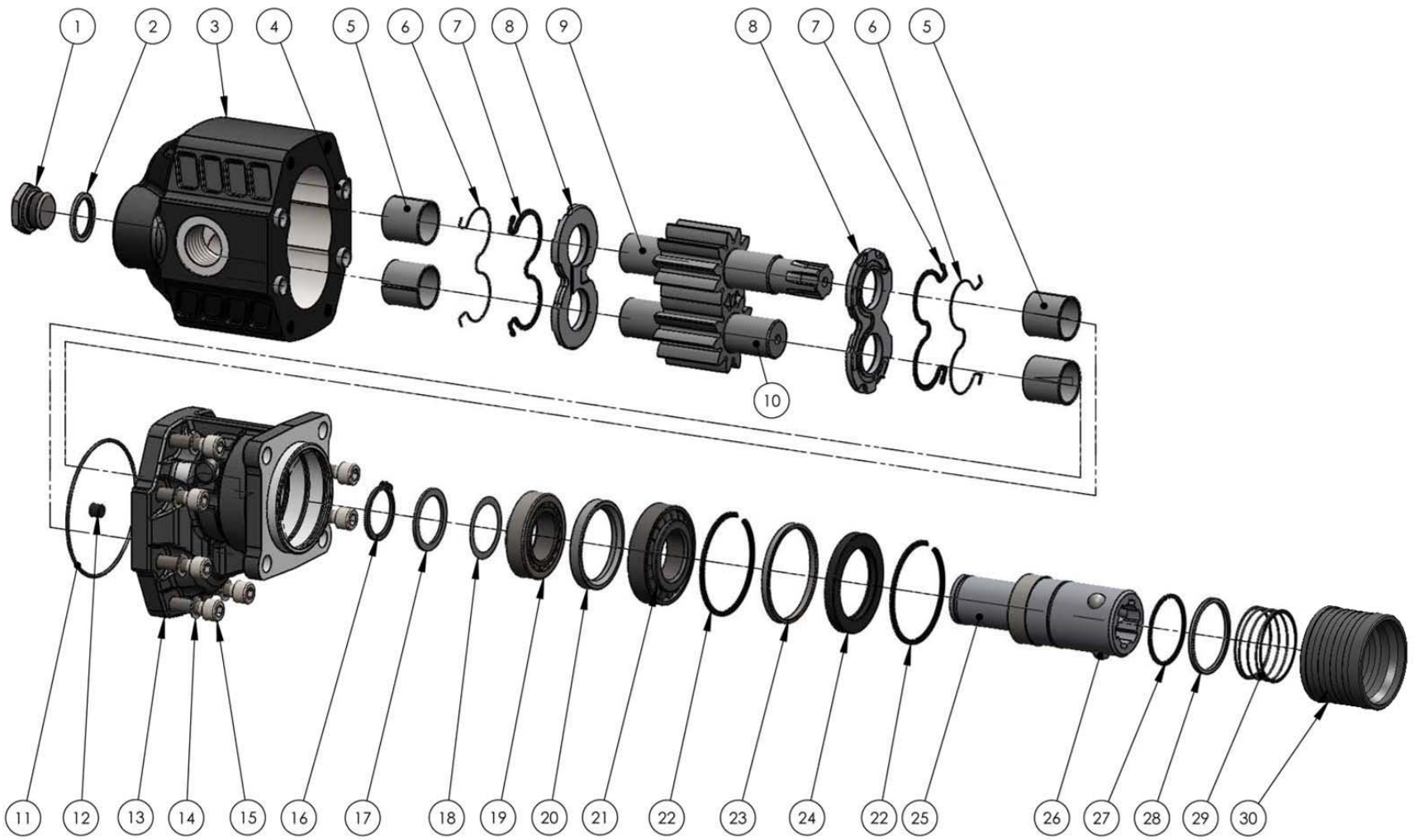
O.M.F.B. Hydraulic Components
We reserve the right to make any changes without notice.
Edition 2003.02 No reproduction, however partial, is permitted.
Via Cove, 719 25050 Povoletto di/seo (Brescia) Italy Tel.: +39 030 9830611
Fax: +39 030 9839207-208 Internet: www.omfb.it e-mail: info@omfb.it

pag. 19

COMPANY WITH
QUALITY SYSTEM
CERTIFIED BY DNV
= ISO 9001 =

| N° | 17 | 22 | 27 | 34 | 43 | 51 | 51 s203.14-2 | 61 | 73 | 82 | Codice/Code | Descrizione / Description | Q.tà/Q.ty | |
|-----|----|----|----|----|----|----|--------------|----|----|---------------|---------------|---------------------------------------|--------------------------------------|---|
| 1 | • | • | • | | | | | | | | 540-002-00110 | Tappo Acciaio 1/2" | Steel plug 1/2" | 1 |
| | | | | | | | • | | • | • | 540-002-00129 | Tappo Acciaio 3/4" | Steel plug 3/4" | |
| 2 | • | • | • | | | | | | | | 116-009-10129 | Rondella acciaio-gomma 1/2" | Steel-rubber washer 1/2" | 1 |
| | | | | | | | • | | • | • | 116-009-10343 | Rondella acciaio-gomma 3/4" | Steel-rubber washer 3/4" | |
| 3 | • | | | | | | | | | | 517-010-00173 | Corpo pompa | Gear housing | 1 |
| | | • | | | | | | | | | 517-010-00226 | | | |
| | | | • | | | | | | | | 517-010-00271 | | | |
| | | | | • | | | | | | | 517-010-00342 | | | |
| | | | | | • | | | | | | 517-010-00431 | | | |
| | | | | | | • | | | | | 517-010-00511 | | | |
| | | | | | | | • | | | | 517-010-00619 | | | |
| | | | | | | | | • | | 517-010-00717 | | | | |
| | | | | | | | | | | • | 517-010-00824 | | | |
| 4 | • | • | • | • | • | • | • | • | • | • | 501-003-00282 | Spine forate di centraggio 14x12.5 | Pins 14x12.5 | 4 |
| 5 | • | • | • | • | • | • | • | • | • | • | 533-004-00033 | Boccola autolub. 28x32x30 | Bushing 28x32x30 | 4 |
| 6 | • | • | • | • | • | • | • | • | • | • | 506-000-01097 | Guarnizione antiestrusione | Back-up ring | 2 |
| 7 | • | • | • | • | • | • | • | • | • | • | 506-000-01088 | Guarnizione per rasamento | Thrust plate seal | 2 |
| 8 | • | • | • | • | • | • | • | • | • | • | 510-010-00293 | Rasamento ad occhiale | Thrust plate | 2 |
| 9 | • | | | | | | | | | | 523-020-00178 | Albero dentato conduttore | Drive shaft | 1 |
| | | • | | | | | | | | | 523-020-00221 | | | |
| | | | • | | | | | | | | 523-020-00276 | | | |
| | | | | • | | | | | | | 523-020-00347 | | | |
| | | | | | • | | | | | | 523-020-00436 | | | |
| | | | | | | • | | | | | 523-020-00516 | | | |
| | | | | | | | • | | | | 523-020-00614 | | | |
| | | | | | | | | • | | 523-020-00712 | | | | |
| | | | | | | | | | | • | 523-020-00829 | | | |
| | • | | | | | | | | | | 523-021-00177 | Albero dentato condotto | Driven shaft | 1 |
| | | • | | | | | | | | | 523-021-00220 | | | |
| | | | • | | | | | | | | 523-021-00275 | | | |
| | | | | • | | | | | | | 523-021-00346 | | | |
| | | | | | • | | | | | | 523-021-00435 | | | |
| | | | | | | • | | | | | 523-021-00515 | | | |
| | | | | | | | | • | | | 523-021-00613 | | | |
| | | | | | | | | | | • | 523-021-00711 | | | |
| | | | | | | | | | | • | 523-021-00828 | | | |
| 11 | • | • | • | • | • | • | • | • | • | • | 506-000-01579 | Guarnizione OR (2x95) | O-ring (2x95) | 1 |
| 12 | • | • | • | • | • | • | • | • | • | • | 504-010-00063 | Grano conico 1/8" | Plug 1/8" | 1 |
| 13 | • | • | • | • | • | • | • | • | • | • | 518-003-00116 | Coperchio anteriore | Mounting cover | 1 |
| 14 | • | • | • | • | • | • | • | • | • | • | 501-020-00101 | Rondella elastica | Washer | 8 |
| 15 | • | • | • | • | • | • | • | • | • | • | 502-004-00574 | Vite TCE M10x40 | Screw M10x40 | 8 |
| | | | | | | | | | | | | | | 6 |
| 16 | • | • | • | • | • | • | • | • | • | • | 502-004-00565 | Vite TCE M10x35 | Screw M10x35 | 2 |
| 17 | • | • | • | • | • | • | • | • | • | • | 501-000-01355 | Anello seeger | Seeger ring | 1 |
| 18 | • | • | • | • | • | • | • | • | • | • | 529-007-00226 | Rondella speciale 45x35x0,,2 | Special washer 45x35x0,2 | 2 |
| 18a | • | • | • | • | • | • | • | • | • | • | 529-007-00217 | Rondella speciale 45x35x0,,1 | Special washer 45x35x0,1 | 2 |
| 19 | • | • | • | • | • | • | • | • | • | • | 529-007-00208 | Rondella speciale 45x35x2 | Special washer 45x35x2 | 1 |
| 20 | • | • | • | • | • | • | • | • | • | • | 510-002-00202 | Cuscinetto a rulli conici 35x62x18 | Tapered roller bearing 35x62x18 | 1 |
| 21 | • | • | • | • | • | • | • | • | • | • | 530-004-00164 | Distanziale 52x64,2x8,25 | Spacer 52x64,2x8,25 | 1 |
| 22 | • | • | • | • | • | • | • | • | • | • | 510-002-00211 | Cuscinetto a rulli conici 35x72x18,25 | Tapered roller bearing 35x72x18 | 1 |
| 23 | • | • | • | • | • | • | • | • | • | • | 529-007-00995 | Rondella 66x72x0.4 | Washer 66x72x0.4 | 1 |
| 24 | • | • | • | • | • | • | • | • | • | • | 529-007-00986 | Rondella 66x72x0.2 | Washer 66x72x0.2 | 1 |
| 25 | • | • | • | • | • | • | • | • | • | • | 501-000-02729 | Anello elastico | Circlip | 2 |
| 26 | • | • | • | • | • | • | • | • | • | • | 530-001-00916 | Distanziale paraolio | Oil seal spacer | 1 |
| 27 | • | • | • | • | • | • | • | • | • | • | 506-028-50729 | Guarnizione paraolio | Oil seal | 1 |
| 28 | • | • | • | • | • | • | • | • | • | • | 114-005-00290 | Manicotto femmina 1" 3/8 ASAE | Female coupling 1" 3/8 ASAE | 1 |
| | | | | | | | | | | | 114-005-00361 | Manicotto femmina S203.14-2 | Female coupling 1" 3/8 ASAE FORM "A" | |
| 29 | • | • | • | • | • | • | • | • | • | • | 510-009-00134 | Sfera 1/2" ISO 20 | Ball 1/2" ISO 20 | 3 |
| 30 | • | • | • | • | • | • | • | • | • | • | 501-000-00329 | Anello elastico E-SW48X1.5 | Circlip | 1 |
| 31 | • | • | • | • | • | • | • | • | • | • | 530-001-00890 | Distanziale per molla | Spring spacer | 1 |
| 32 | • | • | • | • | • | • | • | • | • | • | 512-006-00535 | Molla | Spring | 1 |
| 33 | • | • | • | • | • | • | • | • | • | • | 534-000-00062 | Anello centraggio | Ring | 1 |

| Kit guarnizioni / Seal Kit | |
|----------------------------|---------------|
| 6 | 105-900-05802 |
| 7 | |
| 11 | |
| 24 | |



COMPANY WITH
QUALITY SYSTEM
CERTIFIED BY DNV
= ISO 9001 =

pag. 20

O.M.F.B. Hydraulic Components
We reserve the right to make any changes without notice.
Edition: 2003.02 No reproduction, however partial, is permitted.
Via Cove, 7/9 25050 Proseppio d'Isco (Brescia) Italy Tel.: +39 030 9830611
Fax: +39 030 9839207-208 Internet: www.omfb.it e-mail: info@omfb.it



| N° | 100 | 125 | Codice/Code | Descrizione / Description | | Q.tà Q.ty |
|----|-----|-----|---------------|---------------------------------------|---------------------------------|--------------|
| 1 | • | • | 540-002-00129 | Tappo Acciaio 3/4" | Steel plug 3/4" | 1 |
| 2 | • | • | 116-009-10343 | Rondella acciaio-gomma 3/4" | Steel-rubber washer 3/4" | 1 |
| 3 | • | • | 517-010-00995 | Corpo pompa | Gear housing | 1 |
| | | | 517-010-01252 | | | |
| 4 | • | • | 501-003-00282 | Spine forate di centraggio 14x12.5 | Pins 14x12.5 | 4 |
| 5 | • | • | 533-004-00060 | Boccola autolub. 30x34x35 | Bushing 30x34x35 | 4 |
| 6 | • | • | 506-000-01284 | Guarnizione antiestrusione | Back-up ring | 2 |
| 7 | • | • | 506-000-01275 | Guarnizione per rasamento | Thrust plate seal | 2 |
| 8 | • | • | 510-010-00346 | Rasamento ad occhio | Thrust plate | 2 |
| 9 | • | • | 523-023-01003 | Albero dentato conduttore | Drive shaft | 1 |
| | | | 523-023-01254 | | | |
| 10 | • | • | 523-023-01012 | Albero dentato condotto | Driven shaft | 1 |
| | | | 523-023-01263 | | | |
| 11 | • | • | 506-000-01579 | Guarnizione OR (2x95) | O-ring (2x95) | 1 |
| 12 | • | • | 504-010-00063 | Grano conico 1/8" | Plug 1/8" | 1 |
| 13 | • | • | 518-003-00152 | Coperchio anteriore | Mounting cover | 1 |
| 14 | • | • | 501-020-00101 | Rondella elastica | Washer | 8 |
| 15 | • | • | 502-004-00574 | Vite TCE M10x40 | Screw M10x40 | 8 |
| 16 | • | • | 501-000-01355 | Anello seeger | Seeger ring | 1 |
| 17 | • | • | 529-007-00226 | Rondella speciale 45x35x0,,2 | Special washer 45x35x0,2 | 1 |
| 18 | • | • | 529-007-00208 | Rondella speciale 45x35x2 | Special washer 45x35x2 | 2 |
| 19 | • | • | 510-002-00202 | Cuscinetto a rulli conici 35x62x18 | Tapered roller bearing 35x62x18 | 1 |
| 20 | • | • | 530-004-00164 | Distanziale 52x64,2x8,25 | Spacer 52x64,2x8,25 | 1 |
| 21 | • | • | 510-002-00211 | Cuscinetto a rulli conici 35x72x18,25 | Tapered roller bearing 35x62x18 | 1 |
| 22 | • | • | 501-000-02729 | Anello elastico | Circlip | 2 |
| 23 | • | • | 530-001-00916 | Distanziale paraolio | Oil seal spacer | 1 |
| 24 | • | • | 506-028-50729 | Guarnizione paraolio | Oil seal | 1 |
| 25 | • | • | 114-005-00290 | Manicotto femmina 1" 3/8 ASAE | Female coupling 1" 3/8 ASAE | 1 |
| 26 | • | • | 510-009-00134 | Sfera 1/2" ISO 20 | Ball 1/2" ISO 20 | 3 |
| 27 | • | • | 501-000-00329 | Anello elastico E-SW48X1.5 | Circlip | 1 |
| 28 | • | • | 530-001-00890 | Distanziale per molla | Spring spacer | 1 |
| 29 | • | • | 512-006-00535 | Molla | Spring | 1 |
| 30 | • | • | 534-000-00062 | Anello centraggio | Ring | 1 |

CARATTERISTICHE TECNICHE DI FUNZIONAMENTO/TECHNICAL FEATURES

| Tipo pompa Pump type | Cilindrata Displacement cm ³ /rev | Pressione/Pressure | | | Velocità max. continua Max. continuous speed rpm | Velocità max. intermittente Max. intermittent speed rpm | Velocità min. Min. speed rpm |
|-------------------------|--|--------------------|-----------|-----------|--|---|---------------------------------------|
| | | P1 bar | P2 bar | P3 bar | | | |
| NPH-17 | 17.04 | 290 | 315 | 325 | 2500 | 3000 | 300 |
| NPH-22 | 22.15 | | | | | | |
| NPH-27 | 26.18 | | | | | | |
| NPH-34 | 38.88 | 280 | 300 | 310 | 2200 | 2800 | |
| NPH-43 | 43.12 | 270 | 290 | 300 | 2000 | 2500 | |
| NPH-51 | 50.82 | 240 | 260 | 280 | | | |
| NPH-61 | 60.06 | 220 | 240 | 250 | 1800 | 2000 | |
| NPH-73 | 72.88 | 200 | 220 | 230 | 1600 | 1800 | |
| NPH-82 | 81.08 | 190 | 210 | 220 | | | |
| NPH-100 | 98.18 | 180 | 200 | 200 | 1500 | 1800 | |
| NPH-125 | 122.72 | 160 | 180 | | | | |

P1=Pressione max.continua

Max. continuous pressure

(100%)

P2=Pressione max. intermittente

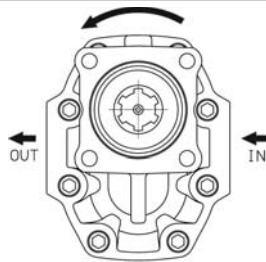
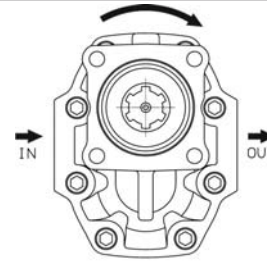
Max. Intermittent pressure

(20 sec.max.)

P3=Pressione max. di punta

Max. peak pressure

(6 sec.max)

SENSO DI ROTAZIONE POMPA / DIRECTION OF ROTATION**Rotazione antioraria, pompa sinistra**
Anti-clockwise rotation, left pumpVista FRONTALE
FRONT**Rotazione oraria, pompa destra**
Clockwise rotation, right pumpVista FRONTALE
FRONT