

POMPE AD INGRANAGGI FISSAGGIO 4 FORI-ASAE 4 HOLES-ASAE HYDRAULIC GEAR PUMPS

CODICE FAMIGLIA
FAMILY CODE

105-062

NPGH ASAE



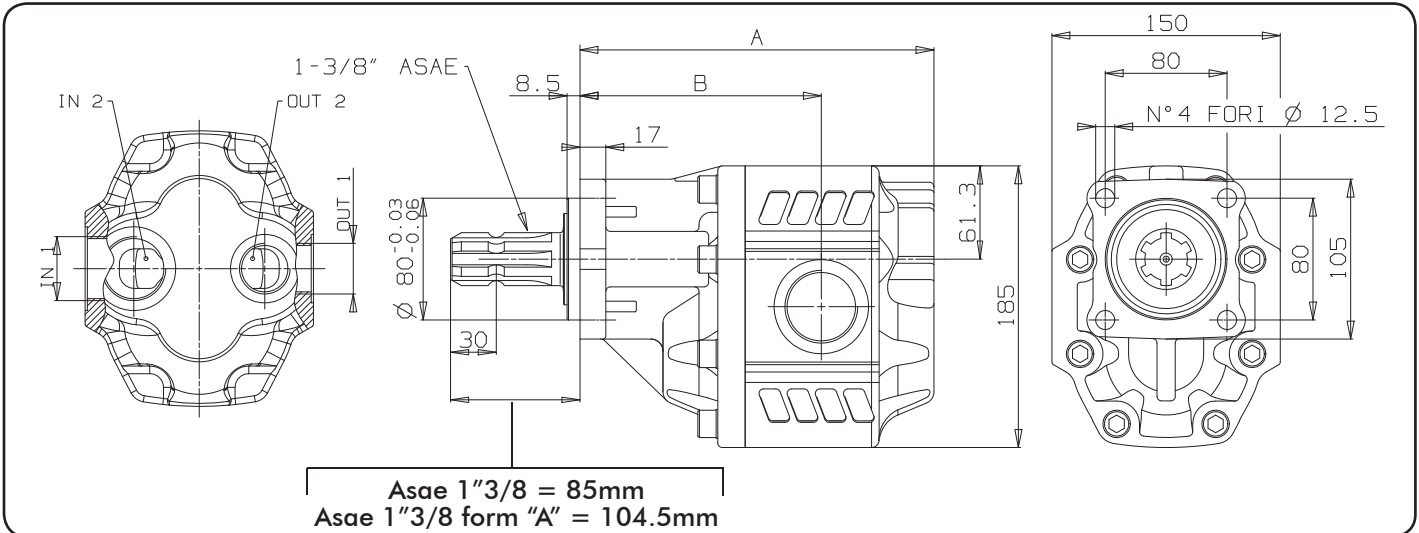
Fluido idraulico Fluid	Minerale o sintetico compatibile con guarnizioni: Mineral or synthetic compatible with the following seals: NBR, FKM, FPM, Nylon				
Viscosità cinematica consigliata Kinematic viscosity suggested	T media ambiente (°C) Average ambient temp. (°C)	< -10	-10 ÷ 10	10 ÷ 35	> 35
	VG (cSt = mm ² /s)	22	32	46	68
Viscosità cinematica ottimale di esercizio Optimale kinematic viscosity		VG = 10 cSt ÷ 100 cSt			
Viscosità cinematica max consentita all'avviamento Max kinematic viscosity suggested at the start-up		VG = 750 cSt			
Indice di viscosità consigliato Viscosity index suggested	VI > 100	Temperatura di esercizio Working temperature			-15°C +100°C
Grado di filtrazione/Oil filtering		> 200 bar: 10 μm < 200 bar: 25 μm			
Pressione di aspirazione/Inlet pressure		-0,3 ÷ 2 bar			
Senso di rotazione Pump rotation		Unidirezionale (DX o SX) Unidirectional (Right or Left)			

Codice fascicolo: 997-400-10515

Data: Lunedì 16 luglio 2012

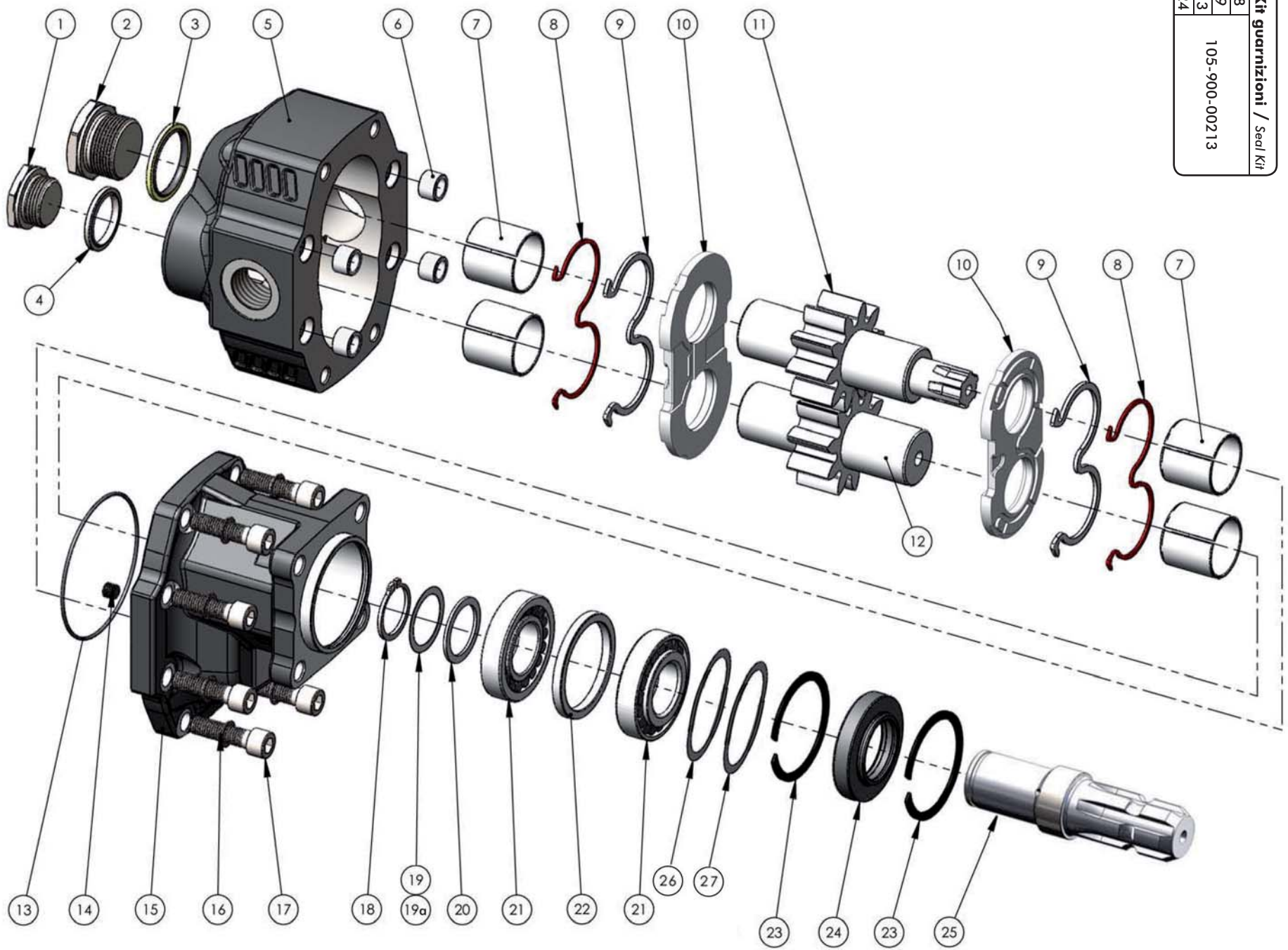
Rev: AC

Codice foglio: 997-105-06201



Tipo pompa Pump type	Rotazione / Rotation		IN 1-2 ISO 228	OUT 1-2 ISO 228	A mm	B mm	Peso Weight Kg
	Destra / Right	Sinistra / Left					
NPGH 63 - ASAE 1" 3/8	105-062-00638	105-062-00647	G 1	G 3/4	201.5	136.5	19
NPGH 63 - ASAE 1" 3/8 FORM "A"		105-062-40649					
NPGH 73 - ASAE 1" 3/8	105-062-00736	105-062-00745					
NPGH 73 - ASAE 1" 3/8 FORM "A"		105-062-40747	G 1 1/4	G 1	205.5	140.5	21
NPGH 85 - ASAE 1" 3/8	105-062-00843	105-062-00852			209.5	141	21.5
NPGH 85 - ASAE 1" 3/8 FORM "A"		105-062-40854			215.5	144.5	22
NPGH 100 - ASAE 1" 3/8	105-062-01002	105-062-01011			221.5	150.5	22.5
NPGH 100 - ASAE 1" 3/8 FORM "A"		105-062-41013	G 1 1/2	G 1	227.5	153.5	23.5
NPGH 116 - ASAE 1" 3/8	105-062-01164	105-062-01173			221.5	150.5	22.5
NPGH 116 - ASAE 1" 3/8 FORM "A"		105-062-41175			227.5	153.5	23.5
NPGH 133 - ASAE 1" 3/8	105-062-01333	105-062-01342	G 1 1/2	G 1	232.5	158.5	24
NPGH 133 - ASAE 1" 3/8 FORM "A"		105-062-41344			227.5	153.5	23.5
NPGH 150 - ASAE 1" 3/8	105-062-01502	105-062-01511			232.5	158.5	24
NPGH 150 - ASAE 1" 3/8 FORM "A"		105-062-41513					

8	Kit guarnizioni / Seal Kit
9	
13	
24	
105-900-00213	



COMPANY WITH QUALITY MANAGEMENT
SYSTEM CERTIFIED BY DIN
= ISO 9001:2008 =

O.M.F.B. Hydraulic Components
We reserve the right to make any changes without notice.
Edition 2003.02 No reproduction, however partial, is permitted.
Via Cove, 7/9 25050 Pionaglio d'Isco (Brescia) Italy tel.: +39 030 9830611
Fax: +39 030 9839207-208 Internet: www.omfb.it e-mail: info@omfb.it

pag. 24



N°	63 FORM "A"	73 FORM "A"	85 FORM "A"	100 FORM "A"	116 FORM "A"	133 FORM "A"	150 FORM "A"	Codice Code	Descrizione Description	Q	
1	•	•	•	•	•	•	•	540-002-00129	Tappo acciaio 3/4"	Steel plug 3/4"	1
	•	•	•	•	•	•	•	540-002-00138	Tappo acciaio 1"	Steel plug 1"	
2	•	•	•	•	•	•	•	540-002-00138	Tappo acciaio 1"	Steel plug 1"	1
	•	•	•	•	•	•	•	540-002-00165	Tappo acciaio 1"1/4	Steel plug 1"1/4	
3	•	•	•	•	•	•	•	540-002-00174	Tappo acciaio 1"1/2	Steel plug 1"1/2	1
	•	•	•	•	•	•	•	116-009-11002	Rondella acciaio-gomma 1"	Steel-rubber washer 1"	
4	•	•	•	•	•	•	•	116-009-11137	Rondella acciaio-gomma 1"1/4	Steel-rubber washer 1"1/4	1
	•	•	•	•	•	•	•	116-009-11208	Rondella acciaio-gomma 1"1/2	Steel-rubber washer 1"1/2	
5	•	•	•	•	•	•	•	116-009-10343	Rondella acciaio-gomma 3/4"	Steel-rubber washer 3/4"	1
	•	•	•	•	•	•	•	116-009-11002	Rondella acciaio-gomma 1"	Steel-rubber washer 1"	
6	•	•	•	•	•	•	•	517-010-00637	Corpo pompa	Gear housing	1
	•	•	•	•	•	•	•	517-010-00726			
	•	•	•	•	•	•	•	517-010-00842			
	•	•	•	•	•	•	•	517-010-01001			
	•	•	•	•	•	•	•	517-010-01163			
7	•	•	•	•	•	•	•	517-010-01323			
	•	•	•	•	•	•	•	517-010-01501			
8	•	•	•	•	•	•	•	501-003-00291	Spine forate centr. 18x12.5	Pins 18x12.5	4
9	•	•	•	•	•	•	•	533-004-00088	Boccole autolub. 38x42x38	Bushing 38x42x38	4
10	•	•	•	•	•	•	•	506-000-01195	Guarnizione antiestrusione	Back-up ring	2
11	•	•	•	•	•	•	•	506-000-01186	Guarnizione per rasamento	Thrust plate seal	2
	•	•	•	•	•	•	•	510-010-00328	Rasamento ad occhiale	Thrust plate	2
12	•	•	•	•	•	•	•	523-021-00631	Albero dentato conduttore	Drive shaft	1
	•	•	•	•	•	•	•	523-021-00720			
	•	•	•	•	•	•	•	523-021-00846			
	•	•	•	•	•	•	•	523-021-01005			
	•	•	•	•	•	•	•	523-021-01167			
13	•	•	•	•	•	•	•	523-021-01327	Albero dentato condotto	Driven shaft	1
	•	•	•	•	•	•	•	523-021-01505			
	•	•	•	•	•	•	•	523-020-00632			
	•	•	•	•	•	•	•	523-020-00721			
	•	•	•	•	•	•	•	523-020-00847			
14	•	•	•	•	•	•	•	523-020-01006			
	•	•	•	•	•	•	•	523-020-01168			
15	•	•	•	•	•	•	•	523-020-01328			
	•	•	•	•	•	•	•	523-020-01506			
16	•	•	•	•	•	•	•	506-000-01337	Guarnizione OR	O-Ring	1
17	•	•	•	•	•	•	•	504-010-00063	Grano conico 1/8"	Plug 1/8"	1
18	•	•	•	•	•	•	•	518-003-00161	Coperchio anteriore	Mounting cover	1
19	•	•	•	•	•	•	•	501-020-00129	Rondella elastica	Washer	8
20	•	•	•	•	•	•	•	502-005-00573	Vite TCE M12x45	Screw M12x45	8
21	•	•	•	•	•	•	•	501-000-01355	Anello seeger	Seeger ring	1
22	•	•	•	•	•	•	•	529-007-00226	Rondella speciale 45x35x0,2	Special washer 45x35x0,2	2
23	•	•	•	•	•	•	•	529-007-00217	Rondella speciale 45x35x0,1	Special washer 45x35x0,1	2
24	•	•	•	•	•	•	•	529-007-00208	Rondella speciale 45x35x2	Special washer 45x35x2	1
25	•	•	•	•	•	•	•	510-002-00211	Cuscinetto rulli conici 35x72x18,25	Tapered roller bearing 35x72x18,25	2
26	•	•	•	•	•	•	•	530-001-00783	Distanziale 60x72x6,75	Spacer 60x72x6,75	1
27	•	•	•	•	•	•	•	501-000-02729	Anello elastico	Circlip	2
28	•	•	•	•	•	•	•	506-008-42723	Guarnizione paraolio	Oil seal	1
	•	•	•	•	•	•	•	114-005-00156	Manicotto 1" 3/8 ASAE	Coupling 1" 3/8 ASAE	1
29	•	•	•	•	•	•	•	114-005-00405	Manicotto 1" 3/8 ASAE FORM "A"	Coupling 1" 3/8 ASAE FORM "A"	1
	•	•	•	•	•	•	•	529-007-00995	Rondella 66x72x0.4	Washer 66x72x0.4	1
30	•	•	•	•	•	•	•	529-007-00986	Rondella 66x72x0.2	Washer 66x72x0.2	1

CARATTERISTICHE TECNICHE DI FUNZIONAMENTO / TECHNICAL FEATURES

Tipo pompa Pump type	Cilindrata Displacement cm ³ /rev	Pressione Pressure			Velocità max. continua Max. continuous speed rpm	Velocità max. intermittente Max. intermittent speed rpm	Velocità min. Min. speed rpm
		P1 bar	P2 bar	P3 bar			
NPGH-63	63.70	290	315	325	1800	2700	300
NPGH-73	74.87	280	300	315			
NPGH-85	85.96	260	280	290			
NPGH-100	102.60	250	270	280			
NPGH-116	119.24	240	260	270	1500	2500	
NPGH-133	135.88	220	250	260			
NPGH-150	149.75	180	210	220			

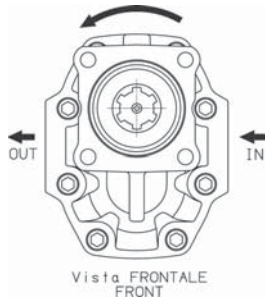
P1=Pressione max.continua
P2=Pressione max. intermittente
P3=Pressione max. di punta

Max. continuous pressure
Max. Intermittent pressure
Max. peak pressure

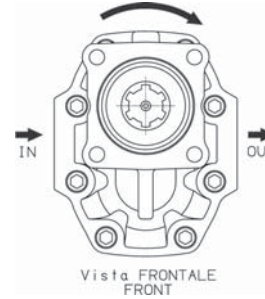
(100%)
(20 sec.max.)
(6 sec.max.)

SENSO DI ROTAZIONE POMPA / DIRECTION OF ROTATION

Rotazione antioraria, pompa sinistra
Anti-clockwise rotation, left pump



Rotazione oraria, pompa destra
Clockwise rotation, right pump



LA POMPA É MUNITA DI PARAOLIO BIDIREZIONALE E DI CUSCINETTI A RULLI CONICI SULL'ALBERO DI USCITA
THE PUMP IS COMPLETE WITH DOUBLE OIL-SEAL AND TAPERED ROLLER BEARING ON THE OUTPUT SHAFT