

# POMPE AD INGRANAGGI FISSAGGIO 4 FORI-ASAE 4 HOLES-ASAE HYDRAULIC GEAR PUMPS

**CODICE FAMIGLIA**  
FAMILY CODE

# 105-061

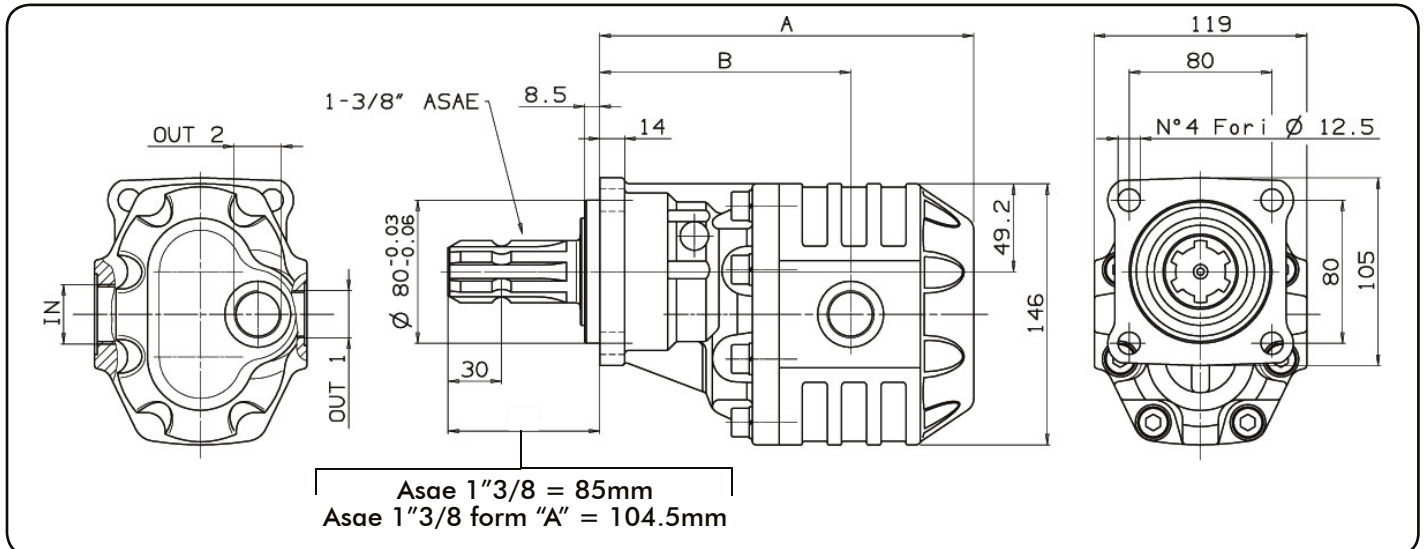
## NPH ASAE

Codice fascicolo: 997-400-10515



Fluido idraulico Fluid	Minerale o sintetico compatibile con guarnizioni: Mineral or synthetic compatible with the following seals: NBR, FKM, FPM, Nylon				
Viscosità cinematica consigliata Kinematic viscosity suggested	T media ambiente (°C) Average ambient temp. (°C)	< -10	-10 ÷ 10	10 ÷ 35	> 35
	VG (cSt = mm <sup>2</sup> /s)	22	32	46	68
Viscosità cinematica ottimale di esercizio Optimale kinematic viscosity		VG = 10 cSt ÷ 100 cSt			
Viscosità cinematica max consentita all'avviamento Max kinematic viscosity suggested at the start-up		VG = 750 cSt			
Indice di viscosità consigliato Viscosity index suggested	VI > 100	Temperatura di esercizio Working temperature			
		-15°C +100°C			
Grado di filtrazione Oil filtering		> 200 bar: 10 µm < 200 bar: 25 µm			
Pressione di aspirazione Inlet pressure		-0,3 ÷ 2 bar			
Senso di rotazione Pump rotation		Unidirezionale (DX o SX) Unidirectional (Right or Left)			

Data: Lunedì 16 luglio 2012



Codice foglio: 997-105-06101 Rev: AB

Tipo pompa Pump type	Rotazione / Rotation		IN ISO 228	OUT 1 ISO 228	OUT 2 ISO 228	A mm	B mm	Peso Weight Kg
	Destra / Right	Sinistra / Left						
<b>NPH 17 - ASAE 1" 3/8</b>	105-061-00175	105-061-00184	G 1/2	G 1/2	G 1/2	168.5	119.5	11
<b>NPH 22 - ASAE 1" 3/8</b>	105-061-00228	105-061-00237				172	121.5	11.5
<b>NPH 27 - ASAE 1" 3/8</b>	105-061-00273	105-061-00282				174.5	124	12
<b>NPH 34 - ASAE 1" 3/8</b>	105-061-00344	105-061-00353	G 3/4	G 3/4	G 3/4	179.5	125	13
<b>NPH 43 - ASAE 1" 3/8</b>	105-061-00433	105-061-00442				185.5	130	13.5
<b>NPH 51 - ASAE 1" 3/8</b>	105-061-00513	105-061-00522				190.5	130.5	14
<b>NPH 61 - ASAE 1" 3/8</b>	105-061-00611	105-061-00620	G 1	G 3/4	G 3/4	196.5	136.5	14.5
<b>NPH 61 - ASAE 1" 3/8 FORM "A"</b>		105-061-40622				204.5	135.5	15
<b>NPH 73 - ASAE 1" 3/8</b>	105-061-00737	105-061-00746				209.5	140.5	15.5
<b>NPH 82 - ASAE 1" 3/8</b>	105-061-00826	105-061-00833	G 1 1/4	G 1	G 3/4	226.5	154.5	15
<b>NPH 82 - ASAE 1" 3/8 FORM "A"</b>		105-061-40833				242.5	158.5	17
<b>NPH 100 - ASAE 1" 3/8</b>	105-061-01003	105-061-01012						
<b>NPH 100 - ASAE 1" 3/8 FORM "A"</b>		105-061-41014						
<b>NPH 125 - ASAE 1" 3/8</b>	105-061-01254	105-061-01263						

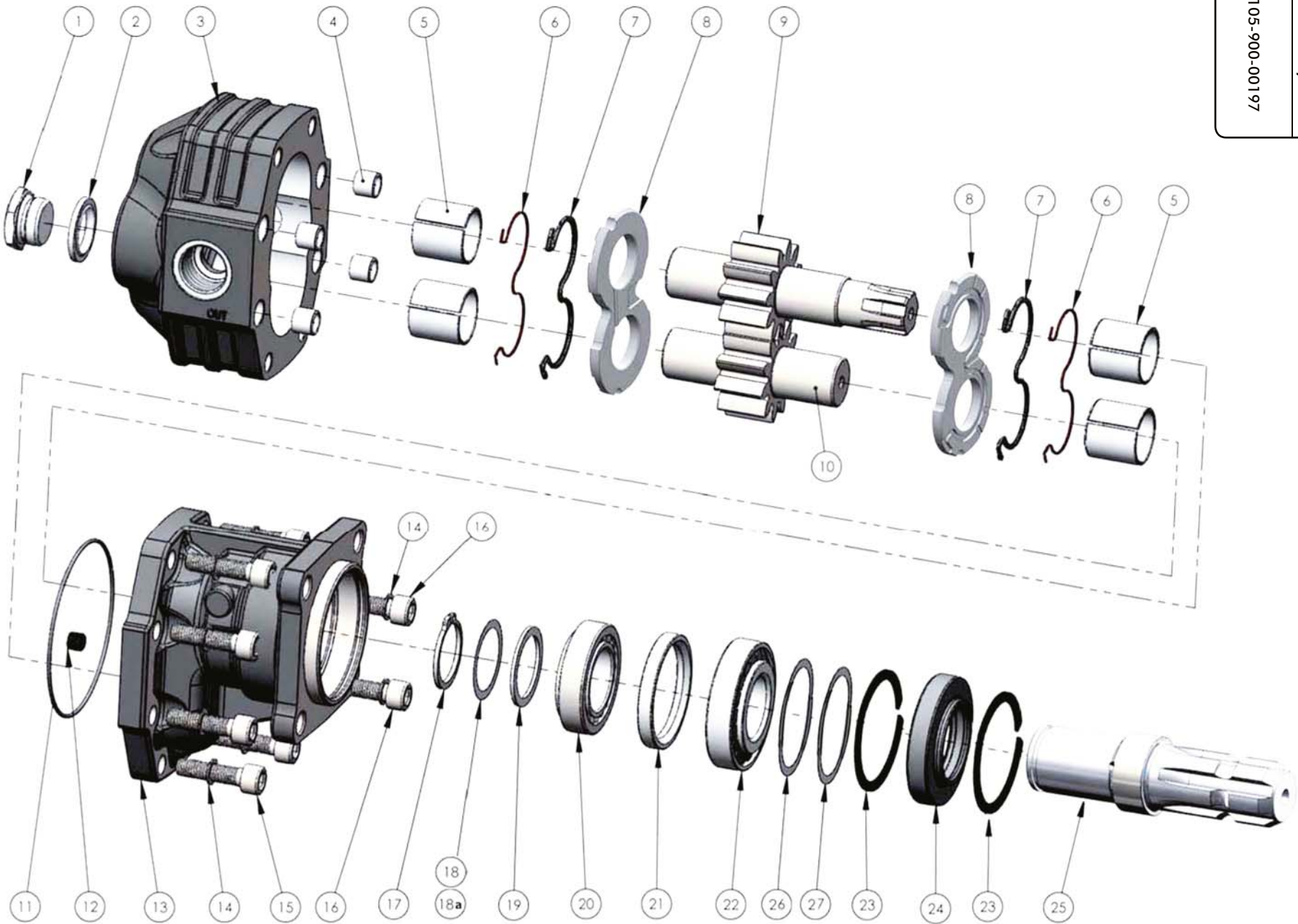
pag. 11



O.M.F.B. Hydraulic Components  
We reserve the right to make any changes without notice.  
Edition 2003.02 No reproduction, however partial, is permitted.  
Via Cave, 7/9 25050 Provatigla d'Iseo (Brescia) Italy Tel.: +39.030.9830611  
Fax: +39.030.9839207-208 Internet: www.omfb.it e-mail: info@omfb.it

**COMPANY WITH  
QUALITY SYSTEM  
CERTIFIED BY DNV GL  
= ISO 9001 =**

Kit guarnizioni / Seal Kit	
6	
7	
11	105-900-00197
24	



pag. 12

COMPANY WITH  
QUALITY SYSTEM  
CERTIFIED BY DNV GL  
= ISO 9001 =

O.M.F.B. Hydraulic Components

We reserve the right to make any changes without notice.  
Edition: 2003.02 No reproduction, however partial, is permitted.  
Via Cove, 7/9 25050 Poggio di Isco (Brescia) Italy Tel.: +39 030 9830611  
Fax: +39 030 9839207-208 Internet: www.omfb.it e-mail: info@omfb.it





O.M.F.B. Hydraulic Components  
 We reserve the right to make any changes without notice.  
 Edition 2003.02 No reproduction, however partial, is permitted.  
 Via Cove, 719 25050 Povegliano d'Isola (Brescia) Italy Tel.: +39 030 9830611  
 Fax: +39 030 9839207-208 Internet:www.omfb.it e-mail:info@omfb.it

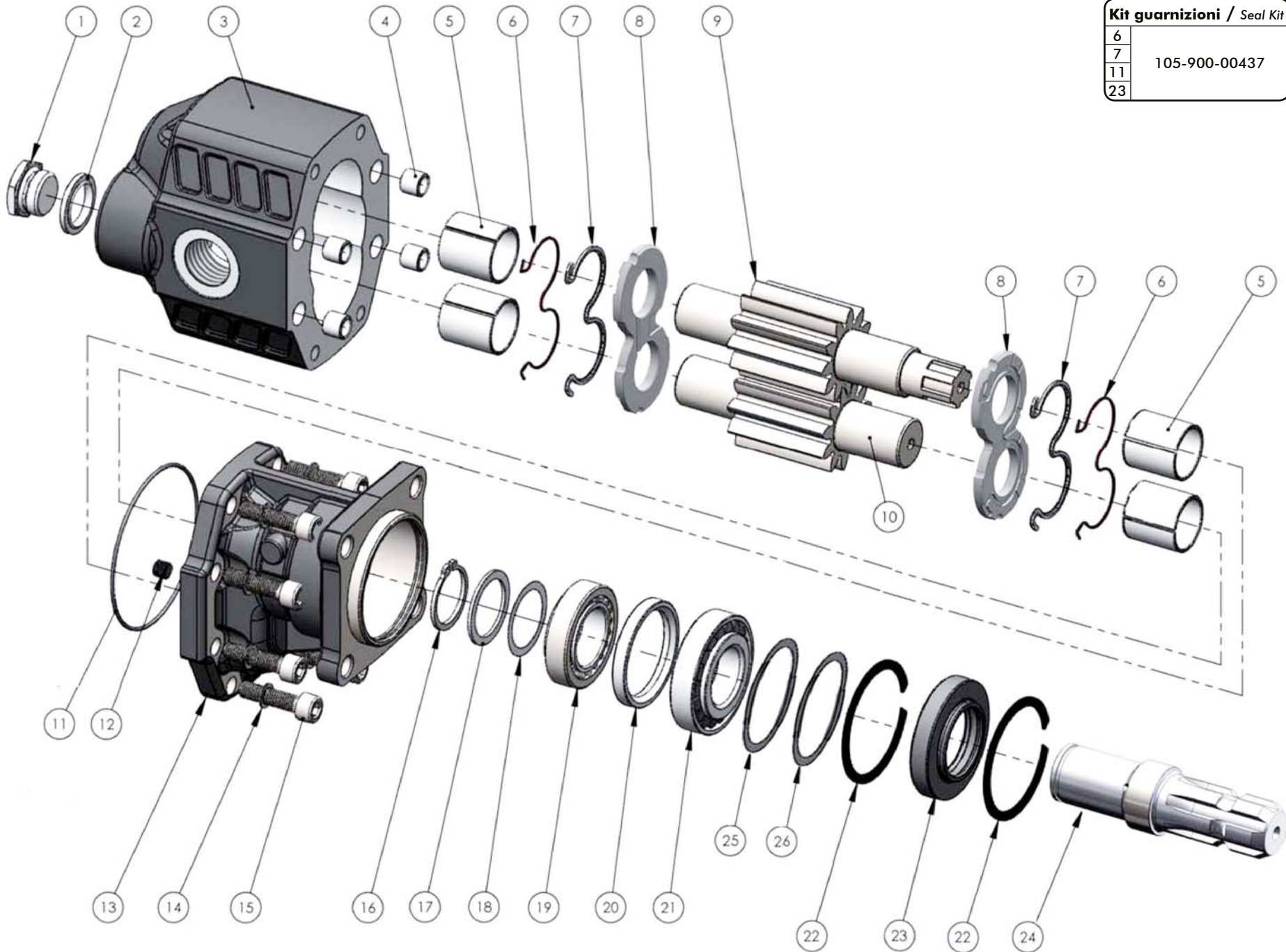
pag. 13

COMPANY WITH  
 QUALITY SYSTEM  
 CERTIFIED BY DNV GL  
 = ISO 9001 =

N°	17	22	27	34	43	51	61	61 FORM "A"	73	82	82 FORM "A"	Codice/Code	Descrizione / Description	Q.tà Q.ty	
1	•	•	•					•	•	•	•	540-002-00110	Tappo Acciaio 1/2"	Steel plug 1/2"	1
				•	•	•	•	•	•	•	•	540-002-00129	Tappo Acciaio 3/4"	Steel plug 3/4"	
2	•	•	•					•	•	•	•	116-009-10129	Rondella acciaio-gomma 1/2"	Steel-rubber washer 1/2"	1
				•	•	•	•	•	•	•	•	116-009-10343	Rondella acciaio-gomma 3/4"	Steel-rubber washer 3/4"	
3	•											517-010-00173	Corpo pompa	Gear housing	1
		•										517-010-00226			
			•									517-010-00271			
				•								517-010-00342			
					•							517-010-00431			
						•						517-010-00511			
							•					517-010-00619			
									•	•	•	517-010-00717			
										•	•	517-010-00824			
4	•	•	•	•	•	•	•	•	•	•	•	501-003-00282	Spine forate di centraggio 14x12.5	Pins 14x12.5	4
5	•	•	•	•	•	•	•	•	•	•	•	533-004-00033	Boccola autolub. 28x32x30	Bushing 28x32x30	4
6	•	•	•	•	•	•	•	•	•	•	•	506-000-01097	Guarnizione antiestrusione	Back-up ring	2
7	•	•	•	•	•	•	•	•	•	•	•	506-000-01088	Guarnizione per rasamento	Thrust plate seal	2
8	•	•	•	•	•	•	•	•	•	•	•	510-010-00293	Rasamento ad occhiale	Thrust plate	2
9	•											523-020-00178	Albero dentato conduttore	Drive shaft	1
		•										523-020-00221			
			•									523-020-00276			
				•								523-020-00347			
					•							523-020-00436			
						•						523-020-00516			
							•					523-020-00614			
									•	•	•	523-020-00712			
10	•											523-020-00829	Albero dentato condotto	Driven shaft	1
		•										523-021-00177			
			•									523-021-00220			
				•								523-021-00275			
					•							523-021-00346			
						•						523-021-00435			
							•					523-021-00515			
									•	•	•	523-021-00613			
									•	•	•	523-021-00711			
										•	•	523-021-00828			
11	•	•	•	•	•	•	•	•	•	•	•	506-000-01579	Guarnizione OR (2x95)	O-ring (2x95)	1
12	•	•	•	•	•	•	•	•	•	•	•	504-010-00063	Grano conico 1/8"	Plug 1/8"	1
13	•	•	•	•	•	•	•	•	•	•	•	518-003-00116	Coperchio anteriore	Mounting cover	1
14	•	•	•	•	•	•	•	•	•	•	•	501-020-00101	Rondella elastica	Washer	8
15	•	•	•	•	•	•	•	•	•	•	•	502-004-00574	Vite TCE M10x40	Screw M10x40	8
															6
16	•	•	•	•	•	•	•	•	•	•	•	502-004-00565	Vite TCE M10x35	Screw M10x35	2
17	•	•	•	•	•	•	•	•	•	•	•	501-000-01355	Anello seeger	Seeger ring	1
18	•	•	•	•	•	•	•	•	•	•	•	529-007-00226	Rondella speciale 45x35x0,,2	Special washer 45x35x0,2	2
18a	•	•	•	•	•	•	•	•	•	•	•	529-007-00217	Rondella speciale 45x35x0,,1	Special washer 45x35x0,1	2
19	•	•	•	•	•	•	•	•	•	•	•	529-007-00208	Rondella speciale 45x35x2	Special washer 45x35x2	1
20	•	•	•	•	•	•	•	•	•	•	•	510-002-00202	Cuscinetto a rulli conici 35x62x18	Tapered roller bearing 35x62x18	1
21	•	•	•	•	•	•	•	•	•	•	•	530-004-00164	Distanziale 52x64,2x8,25	Spacer 52x64,2x8,25	1
22	•	•	•	•	•	•	•	•	•	•	•	510-002-00211	Cuscinetto a rulli conici 35x72x18,25	Tapered roller bearing 35x62x18	1
23	•	•	•	•	•	•	•	•	•	•	•	501-000-02729	Anello elastico	Circlip	2
24	•	•	•	•	•	•	•	•	•	•	•	506-008-42723	Guarnizione paraolio	Oil seal	1
25	•	•	•	•	•	•	•	•	•	•	•	114-005-00156	Manicotto 1" 3/8 ASAE	Coupling 1" 3/8 ASAE	1
												114-005-00405	Manicotto 1" 3/8 ASAE FORM "A"	Coupling 1" 3/8 ASAE FORM "A"	1
26	•	•	•	•	•	•	•	•	•	•	•	529-007-00995	Rondella 66x72x0.4	Washer 66x72x0.4	1
27	•	•	•	•	•	•	•	•	•	•	•	529-007-00986	Rondella 66x72x0.2	Washer 66x72x0.2	1

**Kit guarnizioni / Seal Kit**

6	
7	
11	105-900-00437
23	



**COMPANY WITH  
QUALITY SYSTEM  
CERTIFIED BY DNV GL  
= ISO 9001 =**

**O.M.F.B. Hydraulic Components**  
We reserve the right to make any changes without notice.  
Edition: 2003.02 No reproduction, however partial, is permitted.  
Via Cove, 7/9 25050 Poggio di Isco (Brescia) Italy tel.: +39 030 9830611  
Fax: +39 030 9839207-208 Internet: www.omfb.it e-mail: info@omfb.it

pag. 14



N°	100	100 FORM "A"	125	Codice Code	Descrizione Description		Q.tà Q.ty
1	•	•	•	540-002-00129	Tappo Acciaio 3/4"	Steel plug 3/4"	1
2	•	•	•	116-009-10343	Rondella acciaio-gomma 3/4"	Steel-rubber washer 3/4"	1
3	•	•	•	517-010-00995	Corpo pompa	Gear housing	1
				517-010-01252			
4	•	•	•	501-003-00282	Spine forate di centraggio 14x12.5	Pins 14x12.5	4
5	•	•	•	533-004-00060	Boccola autolub. 30x34x35	Bushing 30x34x35	4
6	•	•	•	506-000-01284	Guarnizione antiestrusione	Back-up ring	2
7	•	•	•	506-000-01275	Guarnizione per rasamento	Thrust plate seal	2
8	•	•	•	510-010-00346	Rasamento ad occhiale	Thrust plate	2
9	•	•	•	523-023-01003	Albero dentato conduttore	Drive shaft	1
				523-023-01254			
10	•	•	•	523-023-01012	Albero dentato condotto	Driven shaft	1
				523-023-01263			
11	•	•	•	506-000-01579	Guarnizione OR (2x95)	O-ring (2x95)	1
12	•	•	•	504-010-00063	Grano conico 1/8"	Plug 1/8"	1
13	•	•	•	518-003-00152	Coperchio anteriore	Mounting cover	1
14	•	•	•	501-020-00101	Rondella elastica	Washer	8
15	•	•	•	502-004-00574	Vite TCE M10x40	Screw M10x40	8
16	•	•	•	501-000-01355	Anello seeger	Seeger ring	1
17	•	•	•	529-007-00226	Rondella speciale 45x35x0,,2	Special washer 45x35x0,2	2
18	•	•	•	529-007-00208	Rondella speciale 45x35x2	Special washer 45x35x2	1
19	•	•	•	510-002-00202	Cuscinetto a rulli conici 35x62x18	Tapered roller bearing 35x62x18	1
20	•	•	•	530-004-00164	Distanziale 52x64,2x8,25	Spacer 52x64,2x8,25	1
21	•	•	•	510-002-00211	Cuscinetto a rulli conici 35x72x18,25	Tapered roller bearing 35x72x18,25	1
22	•	•	•	501-000-02729	Anello elastico	Circlip	2
23	•	•	•	506-008-42723	Guarnizione paraolio	Oil seal	1
24	•	•	•	114-005-00156	Manicotto ASAE 1"3/8	Coupling ASAE 1"3/8	1
				114-005-00405	Manicotto ASAE 1"3/8 FORM "A"	Coupling ASAE 1"3/8 FORM "A"	1
25	•	•	•	529-007-00995	Rondella 66x72x0.4	Washer 66x72x0.4	1
26	•	•	•	529-007-00986	Rondella 66x72x0.2	Washer 66x72x0.2	1

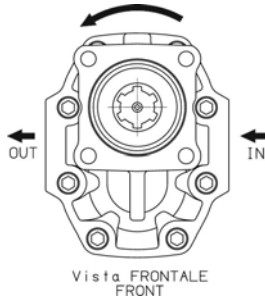
**CARATTERISTICHE TECNICHE DI FUNZIONAMENTO / TECHNICAL FEATURES**

Tipo pompa Pump type	Cilindrata Displacement cm <sup>3</sup> /rev	Pressione/Pressure			Velocità max. continua Max. continuous speed rpm	Velocità max. intermittente Max. intermittent speed rpm	Velocità min. Min. speed rpm
		P1 bar	P2 bar	P3 bar			
<b>NPH-17</b>	17.04	290	315	325	2500	3000	300
<b>NPH-22</b>	22.15						
<b>NPH-27</b>	26.18						
<b>NPH-34</b>	38.88	280	300	310	2200	2800	
<b>NPH-43</b>	43.12	270	290	300	2000	2500	
<b>NPH-51</b>	50.82	240	260	280			
<b>NPH-61</b>	60.06	220	240	250	1800	2000	
<b>NPH-73</b>	72.88	200	220	230	1600	1800	
<b>NPH-82</b>	81.08	190	210	220	1500		
<b>NPH-100</b>	98.18	180	200				
<b>NPH-125</b>	122.72	160	180	200			

P1 = Pressione max. continua      Max. continuous pressure      (100%)  
P2 = Pressione max. intermittente      Max. Intermittent pressure      (20 sec. max.)  
P3 = Pressione max. di punta      Max. peak pressure      (6 sec. max.)

**SENSO DI ROTAZIONE POMPA / DIRECTION OF ROTATION**

**Rotazione antioraria, pompa sinistra**  
*Anti-clockwise rotation, left pump*



**Rotazione oraria, pompa destra**  
*Clockwise rotation, right pump*

