

**PACKING PLATE TYPE EQKM103...**  
**PLATTE TYP EQKM103...**

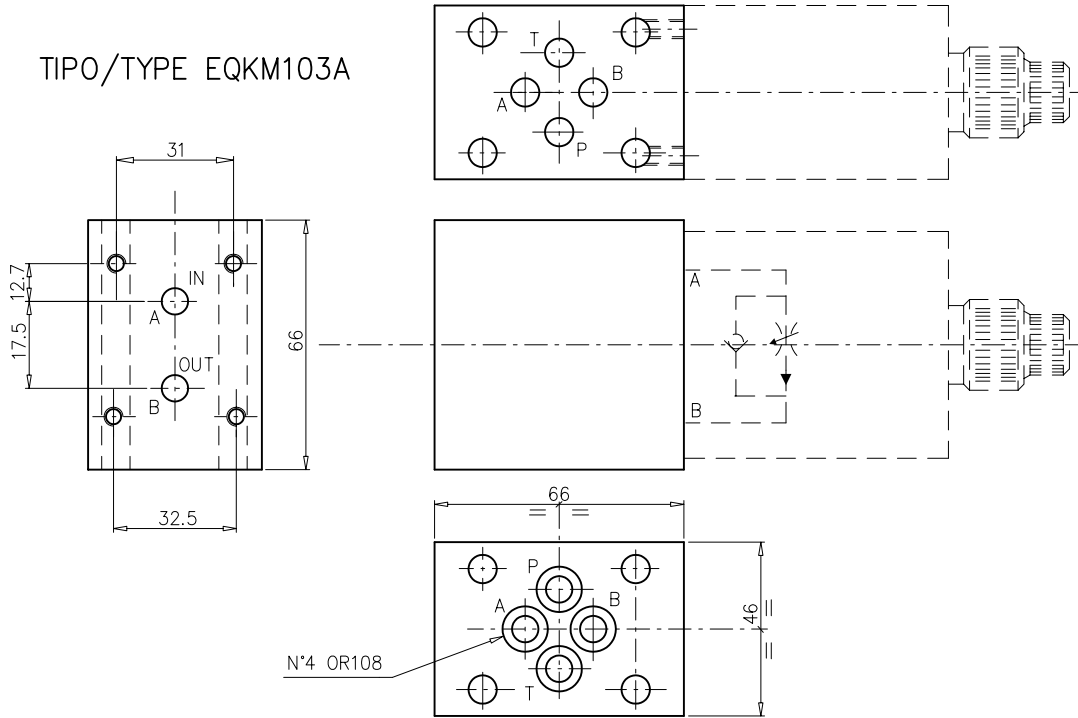
Packing plate for compensated flow regulator on A-B-AB-T-P.

Kompensiertdrosselventil in A-B-AB-T-P fuer Modularmontage

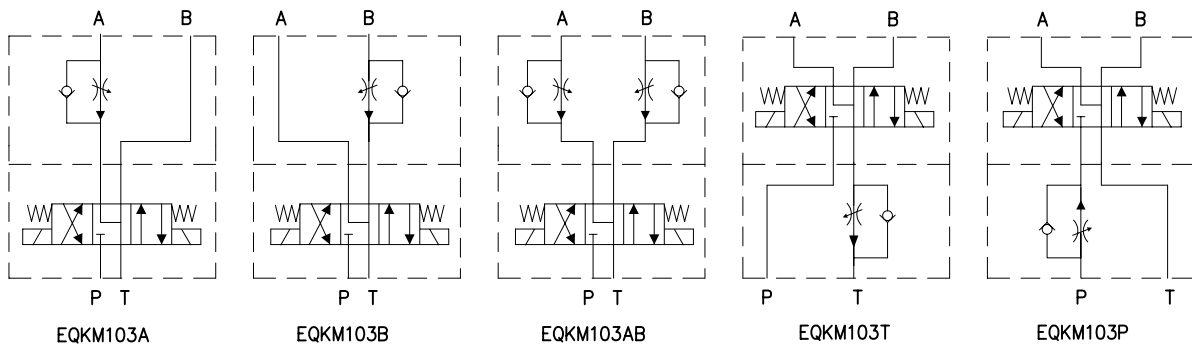
Weight = 1.4 Kg

Gewicht = 1.4 Kg

TIPO/TYP EQKM103A



Hydr. Symbol / Symbol



EQKM103A

EQKM103B

EQKM103AB

EQKM103T

EQKM103P

Ordering code

Bestell-Code:



EUROFLUID =

version for compensated flow regulator = Q K  
 Ausfuhrung fuer Kompensiertdrosselventil

type of modular mounting = M  
 Typ fuer Modularmontage

Standard version = 10  
 Std. Ausfuhrung

Control on:  
 Kontrolle in:

Side regulator:  
 Regler Seite:

A	A
B	B
A-B	A-B
T	B
P	B

CETOP 3