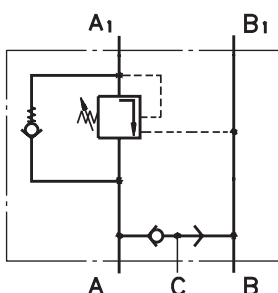
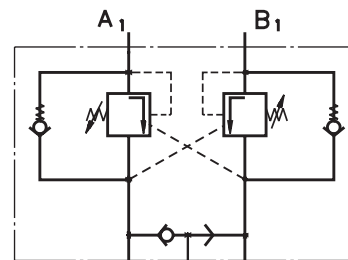


VALVES FOR HYDRAULIC MOTORS

OVERCENTER VALVES WITH BRAKE CONTROL



Single Overcenter Valves with Brake Control



Dual Overcenter Valves with Brake Control

CONTENTS

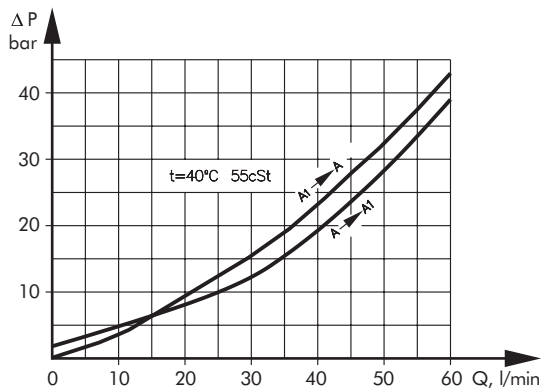
- Valves for OP and OR type VAKR ... Valves-02
- Valves for OS type VAKS Valves-03
- Valves for OT type VAKT Valves-04
- Switch valves type VAAR1 and VAAS1. Valves-05
- Order Code Valves-10

SPECIFICATION DATA

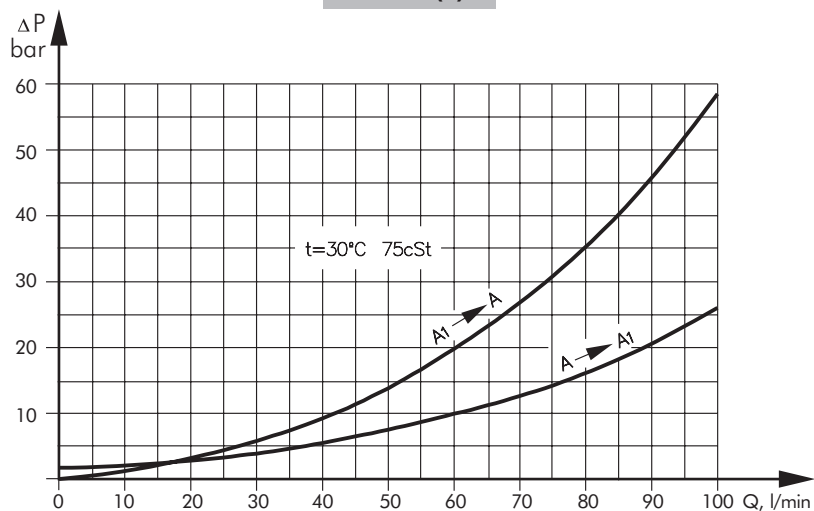
Parameters	Type					
	VAKR1	VAKS1	VAKR2	VAKS2	VAKT1	VAKT2
Flow Rate, l/min	60				100	
Rated Pressure, bar	250				250	
Pilot Ratio	4,25:1				4,25:1	
Weight, kg	3,300	3,340	3,350	3,390	5,400	5,800

PRESSURE LOSSES

VAKR1(2) and VAKS1(2)

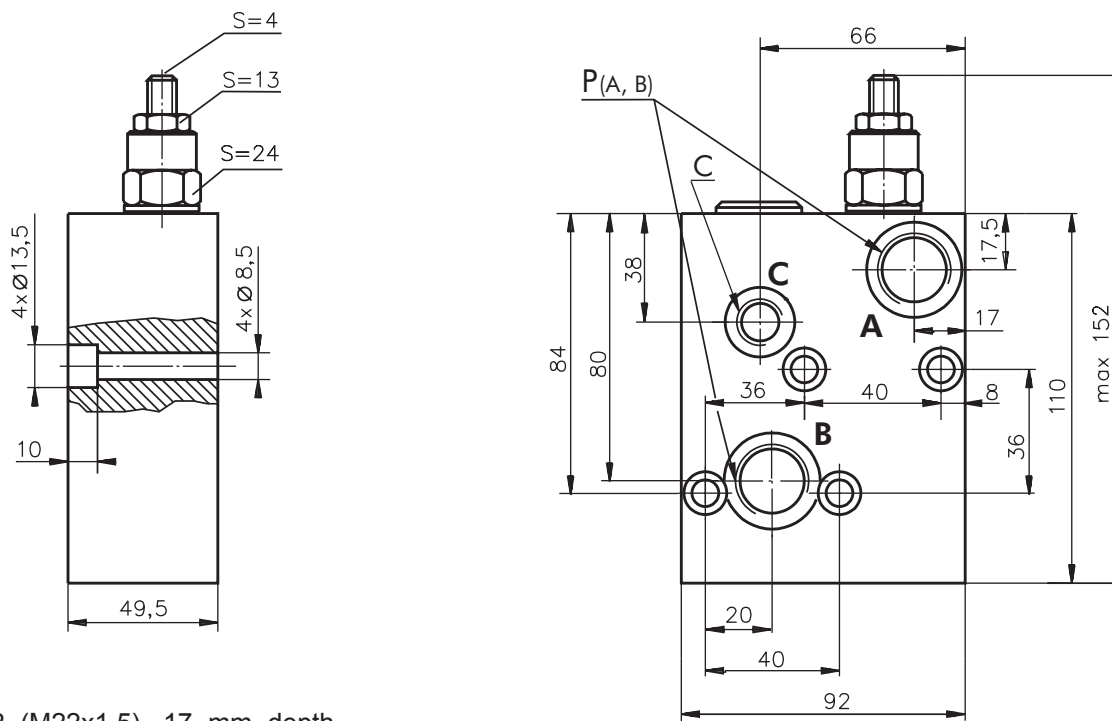


VAKT1(2)



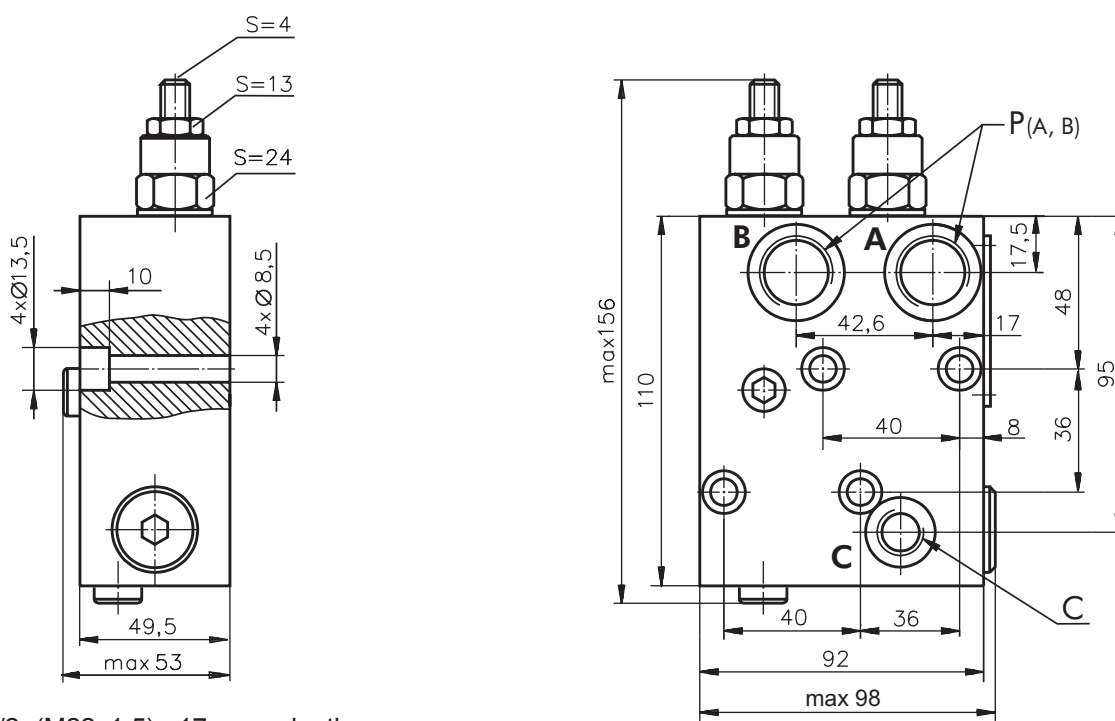
VALVES FOR OP, OR HYDRAULIC MOTORS

SINGLE VALVE VAKR1.. - Series 2



P_(A, B) : G1/2 (M22x1,5), 17 mm depth
C : G1/4 (M14x1,5), 14 mm depth

DUAL VALVE VAKR2 ... - Series 2

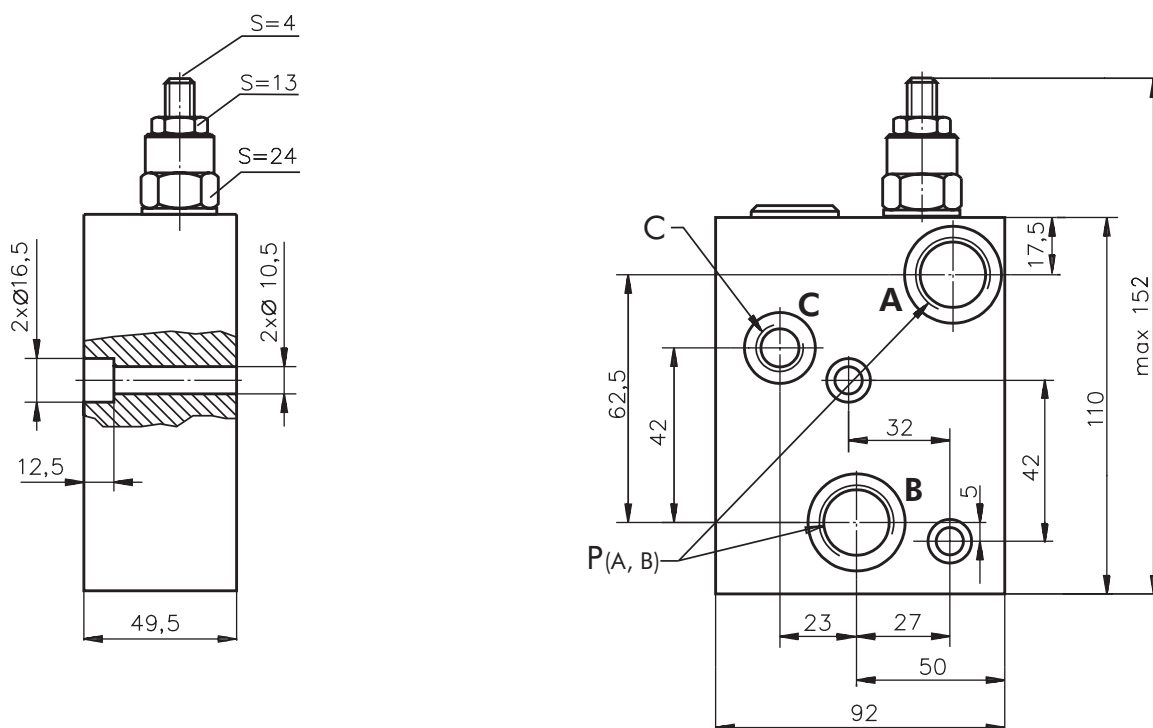


P_(A, B) : G1/2 (M22x1,5), 17 mm depth
C : G1/4 (M14x1,5), 14 mm depth

Note : VAKR Blocks are installed directly on OP and OR Motors with four bolts M8x50 - 8.8 DIN 912.
 Tightening torque $2^{+0.5}$ daNm.

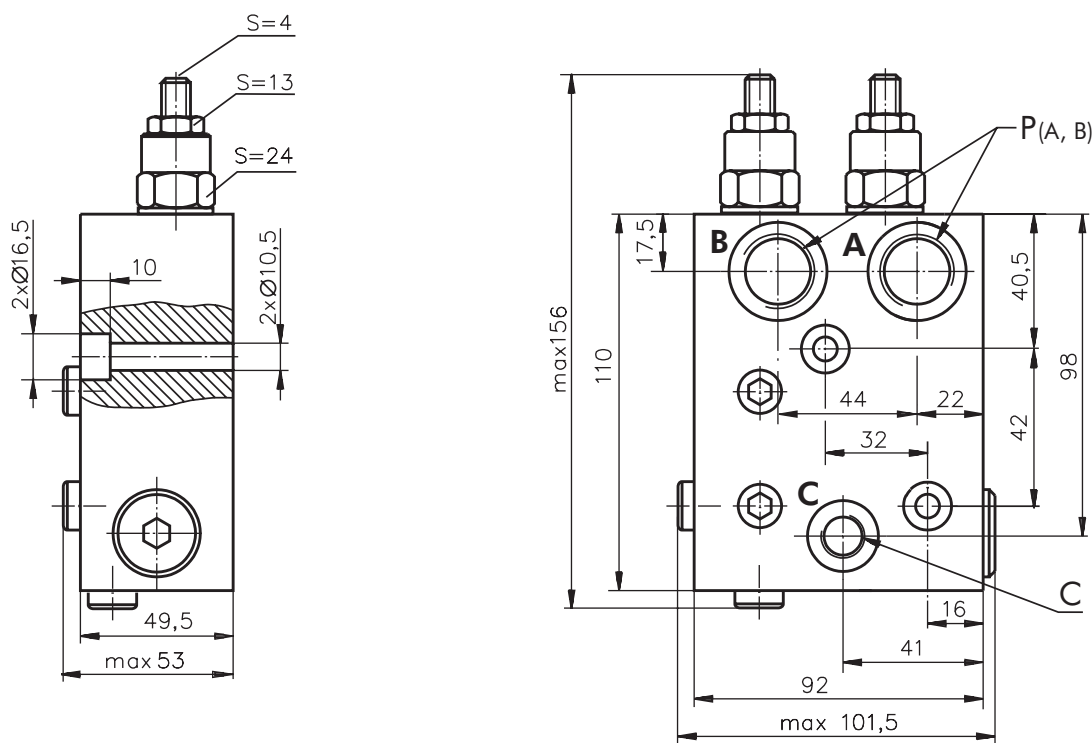
VALVES FOR OS HYDRAULIC MOTORS

SINGLE VALVE VAKS1 ... - Series 2



P_(A,B) : G1/2 (M22x1,5), 17 mm depth
C : G1/4 (M14x1,5), 14 mm depth

DUAL VALVE VAKS2... - Series 2

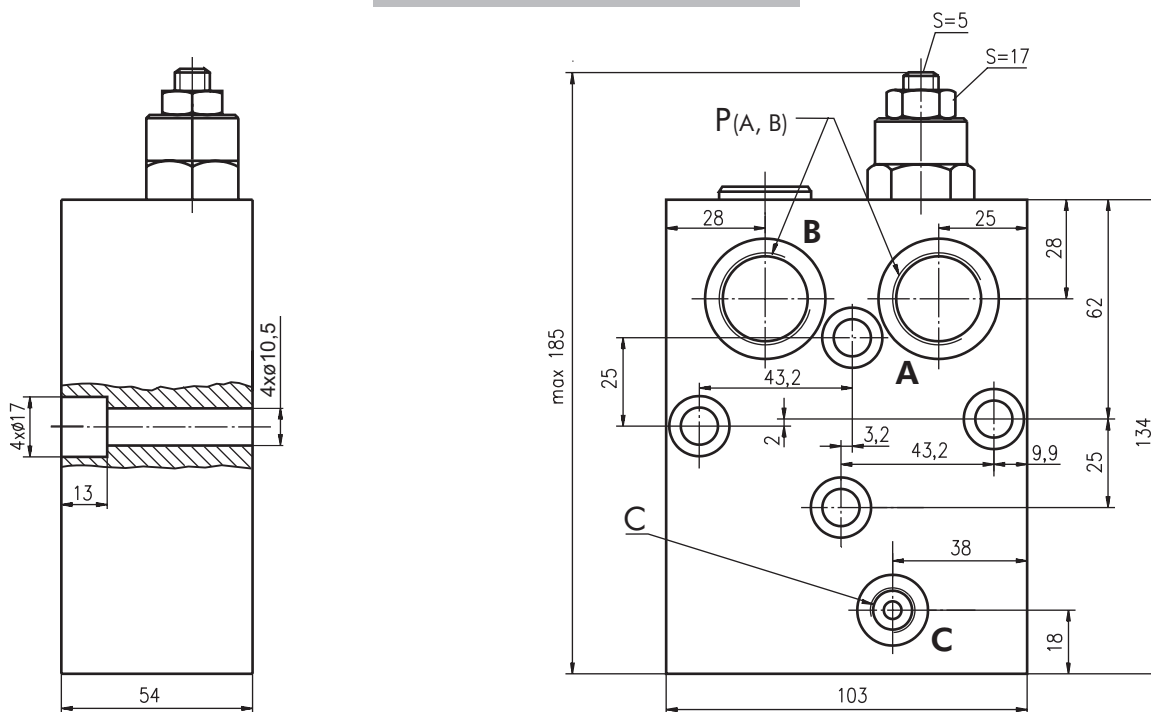


P_(A,B) : G1/2 (M22x1,5), 17 mm depth
C : G1/4 (M14x1,5), 14 mm depth

Note : VAKS Blocks are installed directly on OS Motors with two bolts M10x50 - 8.8 DIN 912.
 Tightening torque $4,5^{+0,5}$ daNm.

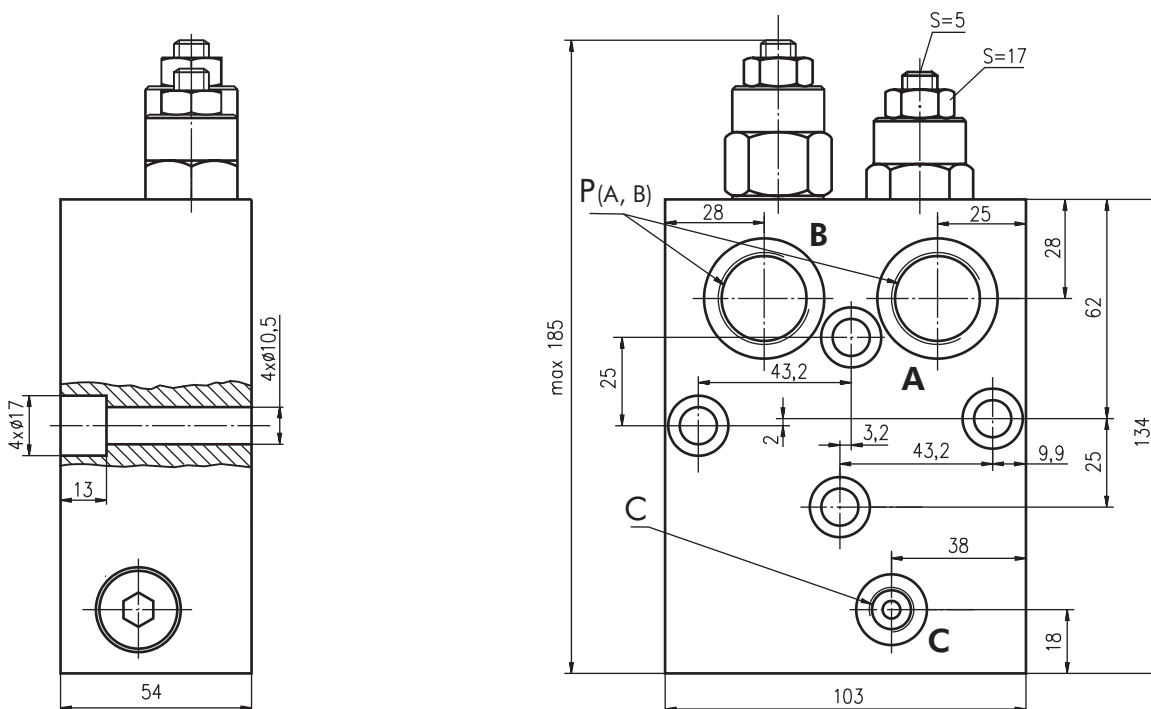
VALVES FOR OT HYDRAULIC MOTORS

SINGLE VALVE VAKT1 ...



P_(A, B) : G3/4 (M27x2), 17 mm depth
C : G1/4 (M14x1,5), 14 mm depth

DUAL VALVE VAKT2 ...



P_(A, B) : G3/4 (M27x2), 17 mm depth
C : G1/4 (M14x1,5), 14 mm depth

Note :VAKT Blocks are installed directly on OT Motors with four bolts M10x55 - 8.8 DIN 912.
 Tightening torque $4,5^{+0,5}$ daNm.