



**Catalogo parti di ricambio**  
**Spare parts catalogue**  
**Ersatzteilkatalog**  
**Catalogue pieces detachees**  
**Catalogo de repuestos**

Model:..... **MSU 678-200 (M)** .....

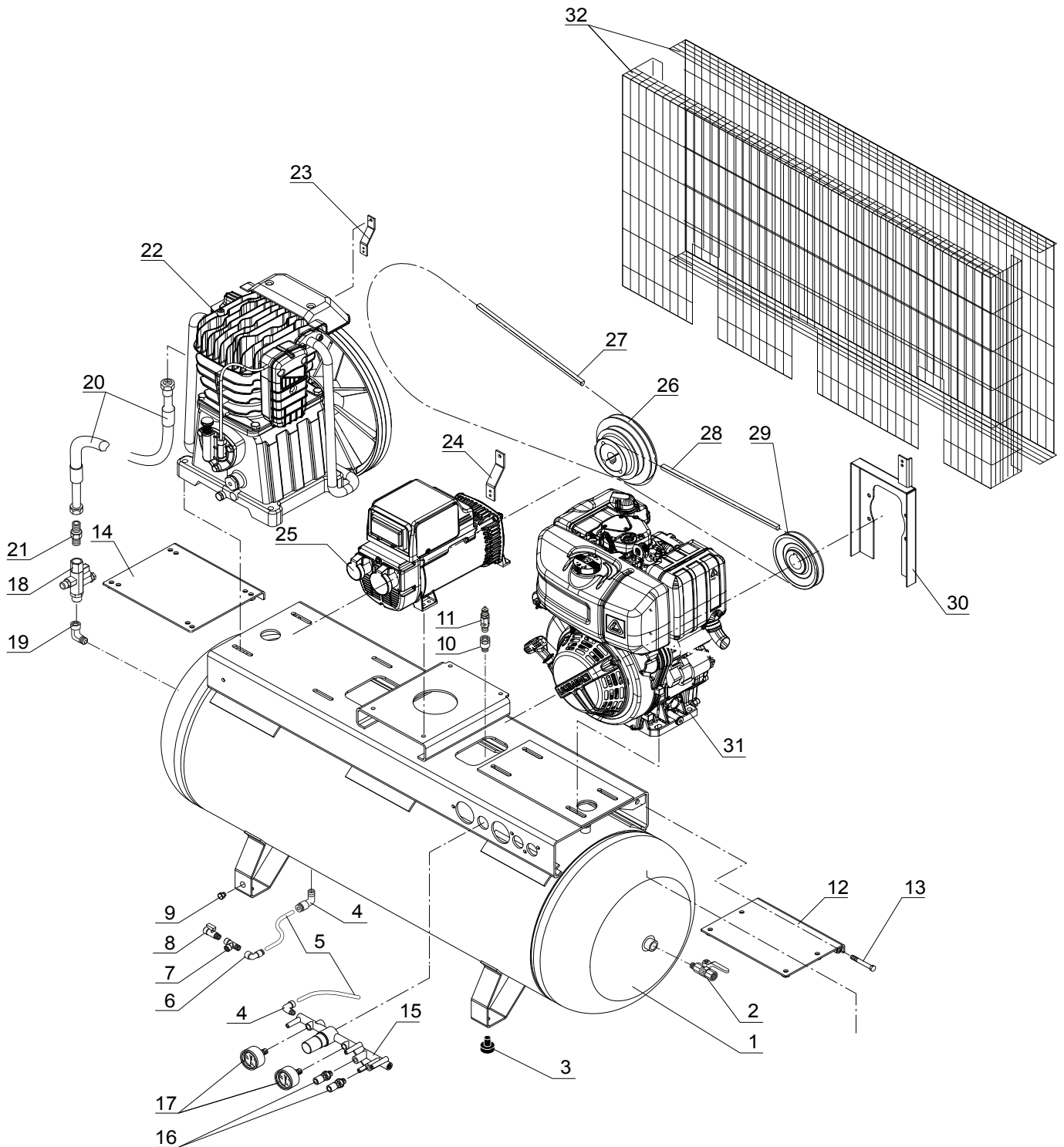
Code:..... **1121440861** .....

Valid from: ..... **01/01/2016** .....



## INDEX

Table	Model	pag.
1	MSU 598-678-200_00	4
2	AB678_00	6
3		
4		
5		
6		
7		
8		
9		
10		





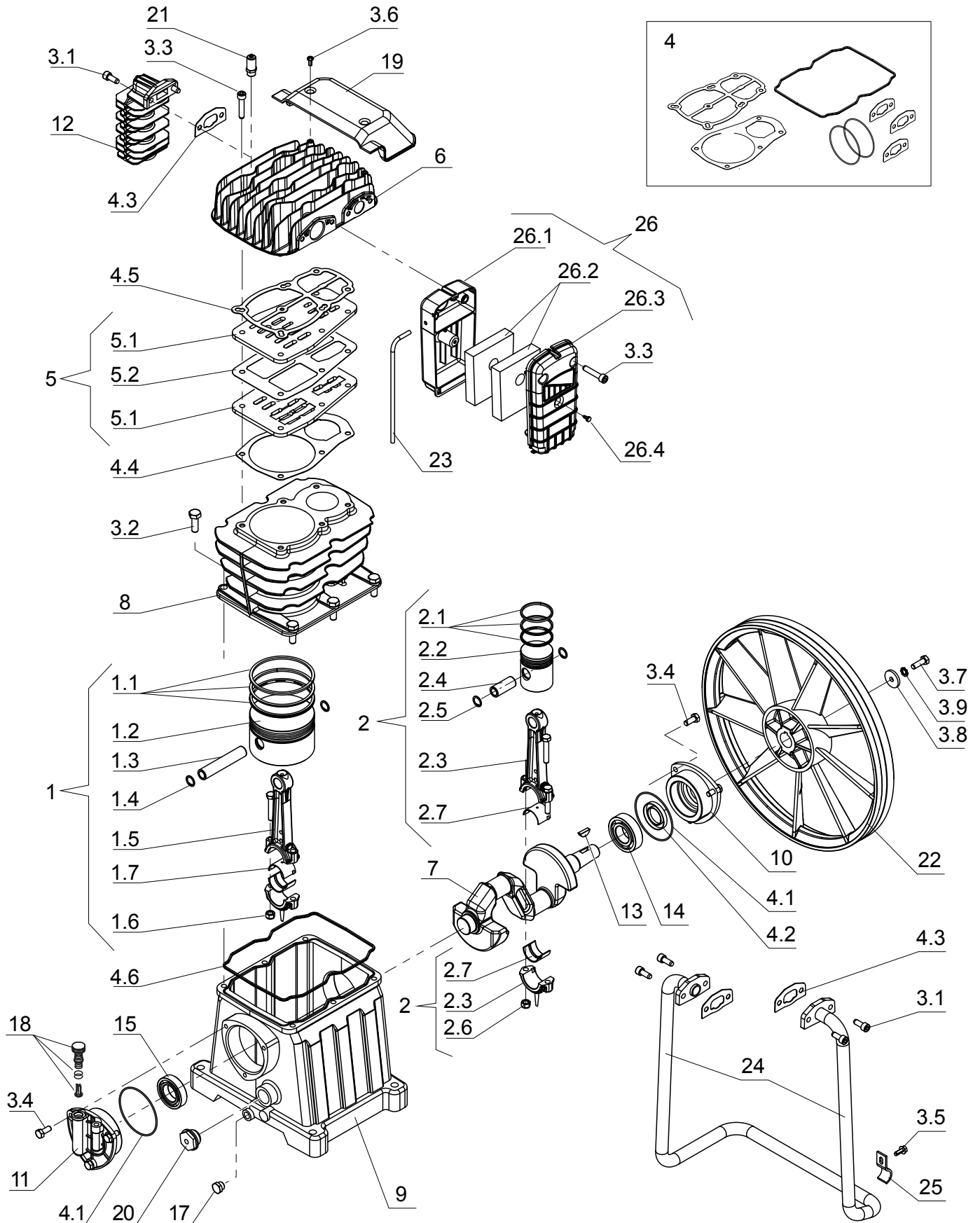


Model: ..... MSU 678-200 (M) .....  
 Code: ..... 1121440861 .....  
 Valid from: 01/01/2016 .....  
 Tav.: ..... MSU 598-678-200\_00 .....

N°	Code	Q.ty	Q.ty*	Description	N°	Code	Q.ty	Q.ty*	Description
1	1125150239	1		SERBATOIO TANK					
2	1127130015	1		RUBINETTO A SFERA BALL COCK					
3	1127360433	4		PIEDE IN GOMMA RUBBER FOOT					
4	1127080282	3		RACCORDO FITTING					
5	1127230008	0,7		TUBO RILSAN RILSAN TUBE					
6	1127080097	1		RACCORDO FITTING					
7	1126000027	1		RACCORDO FITTING					
8	1127130044	1		RUBINETTO A SFERA BALL COCK					
9	1127090009	1		TAPPO M1/4 - OTTONE PLUG					
10	1127080502	1		RIDUZIONE REDUCTION					
11	1127190252	1		VALVOLA DI SIC. RELIEF VALVE					
12	1127450592	1		PIASTRA TENDICINGHIA MOTORE PLATE					
13	1127010278	4		VITE SCREW					
14	1127450591	1		PIASTRA TENDICINGHIA GRUPPO PLATE					
15	1129700576	1		DISTRIBUTORE DISTRIBUTOR					
16	1126000202	2		RUBINETTO RAPIDO SNAP COCK					
17	1127110030	2		MANOMETRO PRESSURE GAUGE					
18	1127190517	1		DISGIUNTORE AUTOMATIC UNLOADING VALVE					
19	1127080077	1		RACCORDO FITTING					
20	1127230330	1		TUBO FLESSIBILE FLEXIBLE HOSE					
22	1123020139	1		GRUPPO POMPANTE PUMP UNIT					
23	1127450899	1		STAFFA PARACINGHIA BELT GUARD SUPPORT					
24	1127450594	1		SUPPORTO PARACINGHIA SUPPORT					
25	1127560016	1		GENERATORE GENERATOR					
26	1127400509	1		PULEGGIA 112-150 2A PULLEY					
27	1127370111	1		CINGHIA BELT					
28	1127370074	1		CINGHIA BELT					
29	1127400505	1		PULEGGIA 132 1A PULLEY					
30	1127450593	1		STAFFA PARACINGHIA BELT GUARD SUPPORT					
31	1127380777	1		MOTORE DIESEL MOTOR					
32	1127240082	1		PARACINGHIA BELT GUARD					

Q.ty = Quantità unitaria / Single unit quantity / Quantité unitaire / Cantidad unitaria / Einzeleinheitsmenge

Q.ty\* = Ricambi consigliati in percentuale / Suggested spare parts in percentage / Pièces de rechange suggérées en pourcentage / Piezas de repuesto sugeridas en porcentaje / Vorgeschlagene Ersatzteile in Prozent





Model: ..... MSU 678-200 (M) .....  
 Code: ..... 1121440861 .....  
 Valid from: 01/01/2016 .....  
 Tav.: ..... **AB678\_00** .....

N°	Code	Q.ty	Q.ty*	Description	N°	Code	Q.ty	Q.ty*	Description
1	1124080087	1	20	KIT BIELLA/PISTONE BP CON ROD-PISTON KIT	4.5.	X	1		GUARNIZIONE TESTA-PIASTRA GASKET
1.1	1124080009	1	30	KIT SEGMENTI PISTON RING KIT	4.6.	X	1		GUARNIZIONE GASKET
1.2	1127220014	1		PISTONE Ø105 PISTON	5	1124230124	1	30	KIT PIASTRA VALVOLE VALVE PLATE KIT
1.3	1127050015	1		SPINOTTO 18X94X12 GUDGEON PIN	5.1.	X	2		PIASTRA VALVOLE VALVE PLATE
1.4.	X	2		ANELLO SEEGER I18 UNI7437 SEEGER RING	5.2.	X	1		GUARNIZIONE GASKET
1.5	1124190037	1		BIELLA CONNECTING ROD	6	1125030062	1		TESTA HEAD
1.6.	X	2		DADO M8 DIN-980 NUT	7	1125040115	1		ALBERO A GOMITO CRANKSHAFT
1.7	1127060217	1		CUSCINETTO BIELLA BEARING	8	1125060072	1		CILINDRO CYLINDER
2	1124080088	1	20	KIT BIELLA/PISTONE AP CON ROD-PISTON KIT	9	1125070027	1		CARTER CRANKCASE
2.1	1124080008	1	30	KIT SEGMENTI PISTON RING KIT	10	1125080205	1		SUPPORTO SUPPORT
2.2	1127220012	1		PISTONE Ø52 PISTON	11	1125080209	1		SUPPORTO SUPPORT
2.3	1124190037	1		BIELLA CONNECTING ROD	12	1125130001	1		REFRIGERATORE COOLER
2.4	1127050013	1		SPINOTTO Ø18 GUDGEON PIN	13	1127050152	1		CHIAVETTA 6X9 FEATHER
2.5.	X	2		ANELLO SEEGER I18 UNI7437 SEEGER RING	14	1127060015	1		CUSCINETTO 6206 BEARING
2.6.	X	2		DADO M8 DIN-980 NUT	15	1127060016	1		CUSCINETTO 6006 BEARING
2.7	1127060217	1		CUSCINETTO BIELLA BEARING	16	1127070011	1		GUARNIZIONE OR GASKET
3	1124080091	1		KIT VITI SCREWS KIT	17	1127090009	1		TAPPO M1/4 - OTTONE PLUG
3.1.	X	6		VITE TCEI M8X20-UNI5931 SCREW	18	1129701377	1		TAPPO DI SFIATO PLUG
3.2.	X	6		VITE M10X30 UNI-5739 SCREW	19	1127150305	1		CONVOGLIATORE CONVEYOR
3.3.	X	8		VITE TCEI M8X40-UNI5931 SCREW	20	1127180006	1		SPIA LIVELLO OLIO OIL LIGHT
3.4.	X	6		VITE M8X20 UNI-5739 SCREW	21	1127190235	1		VALVOLA DI SICUREZZA M1/4 RELIEF VALVE
3.5.	X	1		VITE M6X16 UNI 8111 SCREW	22	1127200105	1		VOLANO FLYWHEEL
3.6.	X	2		VITE M5X12-UNI8112 SCREW	23	1127230004	1		TUBO DI SFIATO 6X4 PIPE
3.7.	X	1		VITE M8X25 UNI-5739 SCREW	24	1127230270	1		REFRIGERATORE INTERMEDIO COOLER
3.8.	X	1		RONDELLA Ø8X30 UNI-6593 WASHER	25	1127450891	1		STAFFA BRACKET
3.9.	X	1		RONDELLA WASHER	26	1129702979	1		FILTRO COMPLETO FILTER
4	1124080190	1	30	KIT GUARNIZIONI GASKETS KIT	26.1.	X	1		BASE FILTRO BASE PLATE
4.1.	X	2		O-RING Ø82X2 O RING	26.2	1129101380	2	30	ELEMENTO FILTRANTE FILTER CARTRIDGE
4.2.	X	1		PARAOLIO 30X47X7 OIL SEAL	26.3.	X	1		COPERCHIO FILTRO FILTER COVER
4.3.	X	3		GUARNIZIONE GASKET	26.4.	X	1		VITE Ø4.2X12 - UNI1477 SCREW
4.4.	X	1		GUARNIZIONE GASKET					

Q.ty = Quantità unitaria / Single unit quantity / Quantité unitaire / Cantidad unitaria / Einzeleinheitsmenge

Q.ty\* = Ricambi consigliati in percentuale / Suggested spare parts in percentage / Pièces de rechange suggérées en pourcentage / Piezas de repuesto sugeridas en porcentaje / Vorgeschlagene Ersatzteile in Prozent