

TECHNICAL CATALOGUE

SWING CHECK VALVE



ITAP SpA, founded in Lumezzane (Brescia) in 1972, is currently one of the leading production companies in Italy of valves, fittings and distribution manifolds for plumbing and heating systems. Thanks to fully automated production processes, with 72 tooling machines and 51 assembly lines, we are able to produce 200,000 pieces per day. Our innate pursuit for innovation and observance of technical regulations is supported by the company certification ISO 9001: 2008. The company has always considered its focus on quality as the main tool to obtain significant business results: today ITAP SpA is proud to offer products bearing the approval of numerous international certifying bodies.





TEC

A detailed wireframe model of a swing check valve, showing the internal components like the valve body, disc, and hinge mechanism. The model is rendered in a light gray color against a white background.

SWING
CHECK VALVE

CHECK AND FOOT

130

SWING CHECK VALVE



NBR SEAT

SIZE	PRESSURE	CODE	PACKING
3/8" (DN 10)	16bar/232psi	1300038G	16/128
1/2" (DN 15)	16bar/232psi	1300012G	16/128
3/4" (DN 20)	16bar/232psi	1300034G	12/96
1" (DN 25)	12bar/174psi	1300100G	8/56
1" 1/4 (DN 32)	10bar/145psi	1300114G	5/40
1" 1/2 (DN 40)	10bar/145psi	1300112G	4/32
2" (DN 50)	10bar/145psi	1300200G	2/24

METAL SEAT

SIZE	PRESSURE	CODE	PACKING
3/8" (DN 10)	16bar/232psi	1300038M	16/128
1/2" (DN 15)	16bar/232psi	1300012M	16/128
3/4" (DN 20)	16bar/232psi	1300034M	12/96
1" (DN 25)	12bar/174psi	1300100M	8/56
1" 1/4 (DN 32)	10bar/145psi	1300114M	5/40
1" 1/2 (DN 40)	10bar/145psi	1300112M	4/32
2" (DN 50)	10bar/145psi	1300200M	2/24
2" 1/2 (DN 65)	8bar/116psi	1300212M	1/12
3" (DN 80)	8bar/116psi	1300300M	1/10
4" (DN 100)	8bar/116psi	1300400M	1/4

TECHNICAL SPECIFICATIONS

Body in brass.

O-ring for upper plug in NBR.

O-ring of the side plug in NBR.

Plate in brass.

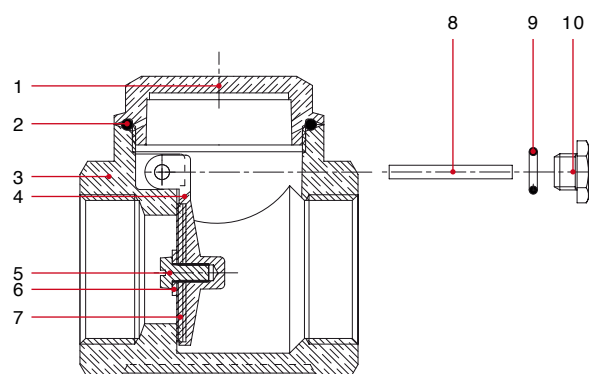
Minimum and maximum working temperatures: 0°C, 90°C.

Threads: ISO228 (equivalent to DIN EN ISO 228 and BS EN ISO 228).

Available 3/8" through 2" with NBR seat, 3/8" through 4" with metal seat.

Available also with NPT thread in the sizes 2" 1/2, 3" e 4".

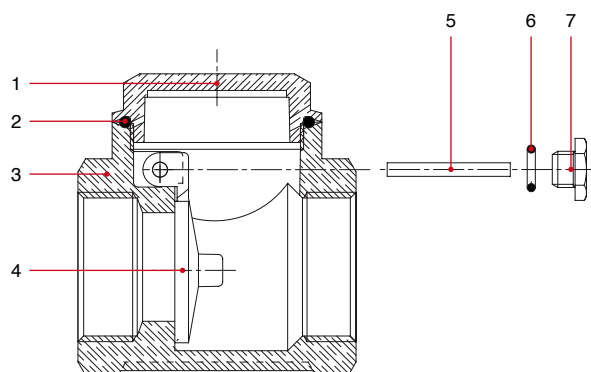
MATERIALS 130G



POS.	DESCRIPTION	N.	MATERIAL
1	End adapter	1	Brass CW617N
2	O-Ring	1	NBR
3	Body	1	Brass CW617N
4	Plate	1	Brass CW617N
5	Screw	1	Brass CW617N
6	Washer	1	Brass UNI EN 1652
7	Seat	1	NBR
8	Pin	1	Brass CW614N
9	O-Ring	1	NBR
10	Plug	1	Brass CW614N

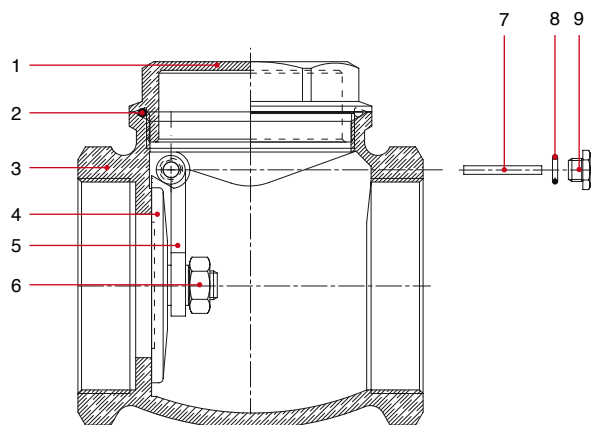


MATERIALS 130M
FROM 3/8" TO 2"



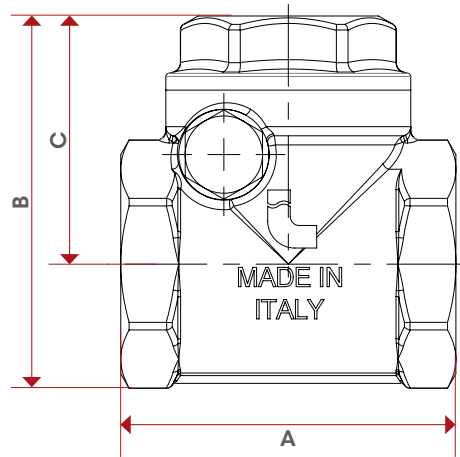
POS.	DESCRIPTION	N.	MATERIAL
1	End adapter	1	Brass CW617N
2	O-Ring	1	NBR
3	Body	1	Brass CW617N
4	Plate	1	Brass CW617N
5	Pin	1	Brass CW614N
6	O-Ring	1	NBR
7	Plug	1	Brass CW614N

MATERIALS 130M
FROM 2 1/2" TO 4"



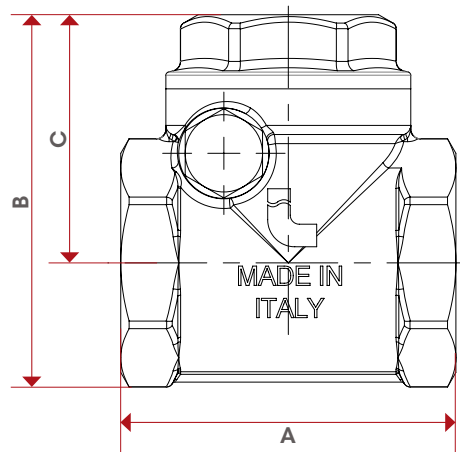
POS.	DESCRIPTION	N.	MATERIAL
1	End adapter	1	Brass CW617N
2	O-Ring	1	NBR
3	Body	1	Brass CB753S
4	Plate	1	Brass CW617N
5	Arm	1	Brass CW617N
6	Nut	1	Brass CW614N
7	Pin	1	Brass CW614N
8	O-Ring	1	NBR
9	Plug	1	Brass CW614N

OVERALL
DIMENSIONS
130G



	3/8"	1/2"	3/4"	1"	1"1/4	1"1/2	2"
DN	10	15	20	25	32	40	50
A	43	43	52	62	72	81	94
B	49	49	58	66	76	86	98,7
C	34	34	38,5	42	47	54	59
Kg/cm ² bar	16	16	16	12	10	10	10
LBS - psi	232	232	232	174	145	145	145

OVERALL
DIMENSIONS
130M

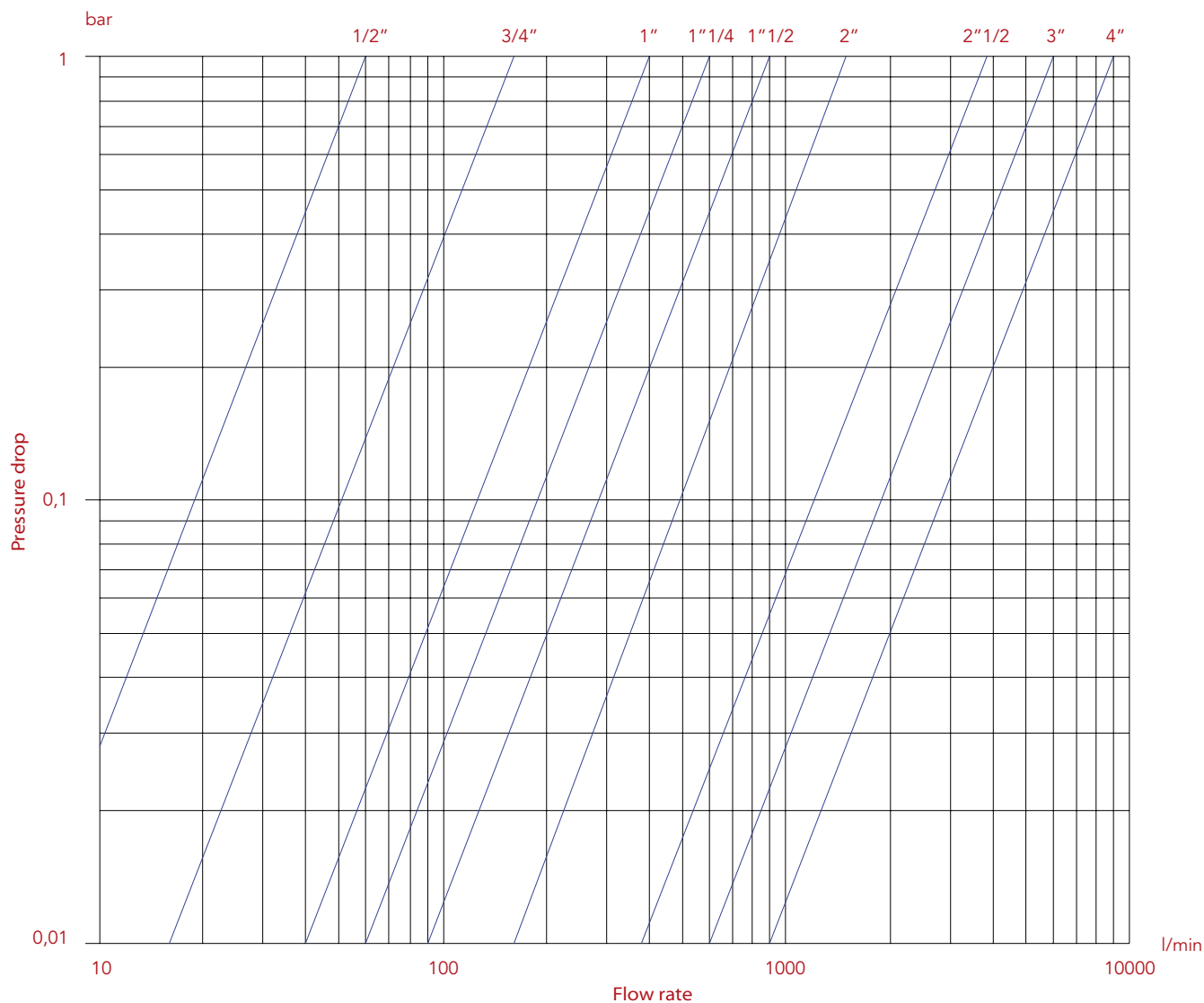


	3/8"	1/2"	3/4"	1"	1"1/4	1"1/2	2"	2"1/2	3"	4"
DN	10	15	20	25	32	40	50	65	80	100
A	43	43	52	62	72	81	94	119	134	169
B	49	49	58	66	76	86	98,7	126,7	146,5	183,5
C	34	34	38,5	42	47	54	59	78	90	111
Kg/cm ² bar	16	16	16	12	10	10	10	8	8	8
LBS - psi	232	232	232	174	145	145	145	116	116	116

CERTIFICATIONS

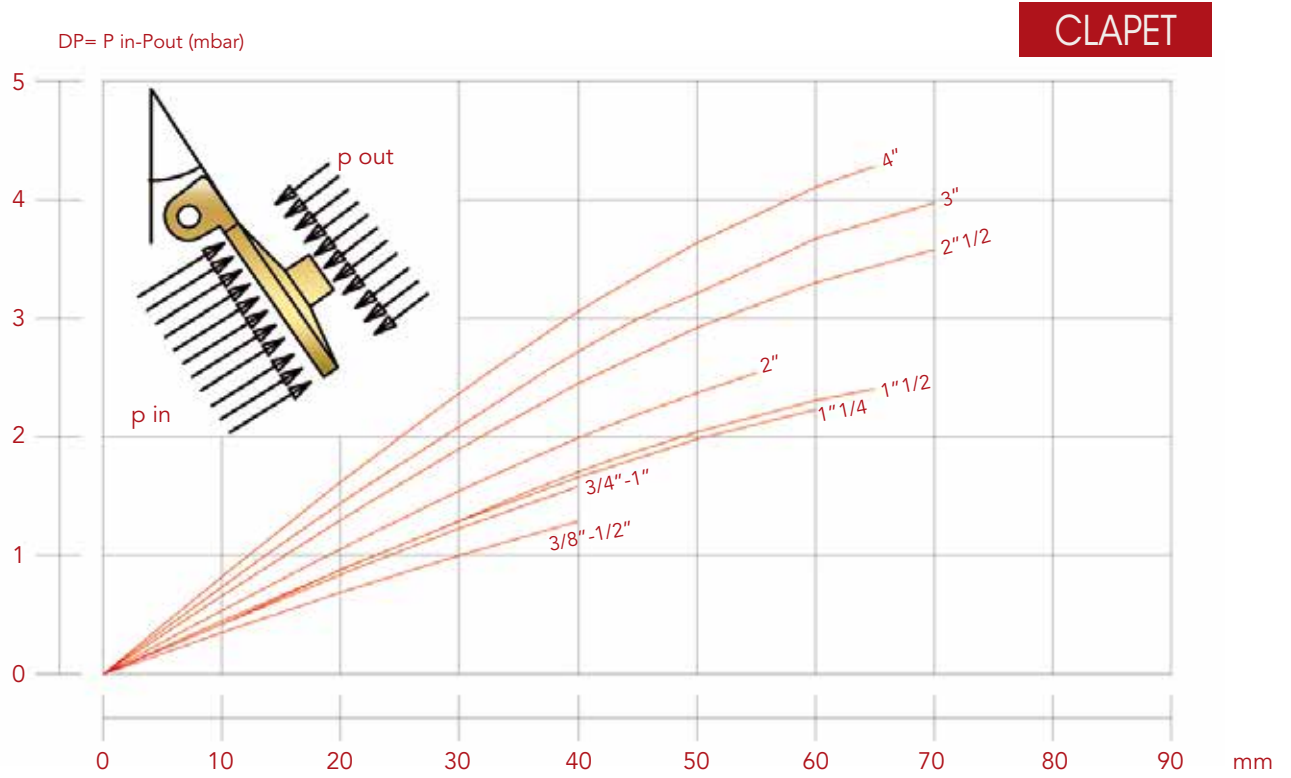


FLOW RATE AND PRESSURE DROP CHART WITH WATER



SIZE	3/8"	1/2"	3/4"	1"	1 1/4"	1 1/2"	2"	2 1/2"	3"	4"
Kv	-	3,60	9,50	23	35	56	86	222	360	540

DIAGRAM MINIMUM PRESSURE TO GET THE VALVES OPENING





NOTES

Area with horizontal dashed lines for taking notes.

SWING CHECK VALVE



ITAP S.p.A.
Via Ruca 19
25065 Lumezzane
Brescia (ITALIA)
Tel 030 89270
Fax 030 8921990
www.itap.it - info@itap.it