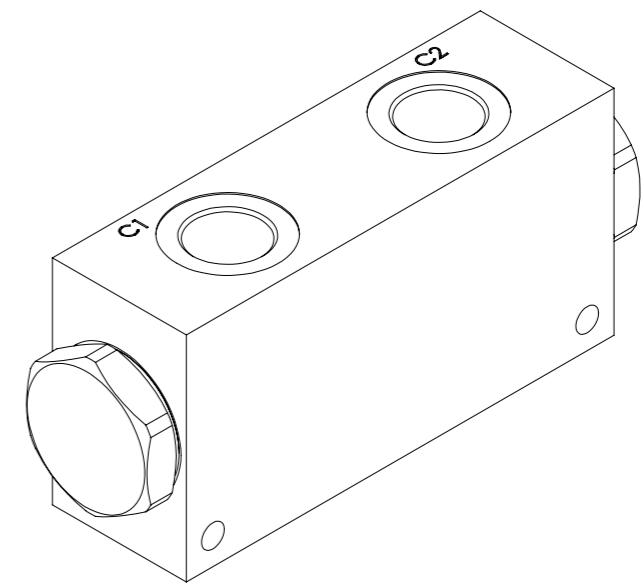


Max. Pressure: 350 bar
Rated flow: 150 l/min
Inlet capacity: 90 - 150 l/min

Ports:
C1, C2: G 3/4"
V: G 1"

Zinc plated steel manifold



TITLE				MFDT-150-BFAR-15-G10-N350		Atlantic Fluid Tech srl	
RATED FLOW	150	MAXIMUM PRESSURE	350	SCHEME		WEIGHT	4,5 kg
CUSTOMER						CUSTOMER CODE	
FIRST ANGLE PROJECTION						DRAWING NUMBER	
A3	REPLACES	DRAWN	A.L.	CHECKED	A.L.	DATE	29/02/2016
				ALL DIMENSIONS IN mm	SCALE	REVISION	A
					1:1	MF000346	

This drawing is the copyright property of Atlantic Fluid Tech Srl and must not be copied or reproduced without written consent. Strictly secret and confidential information.