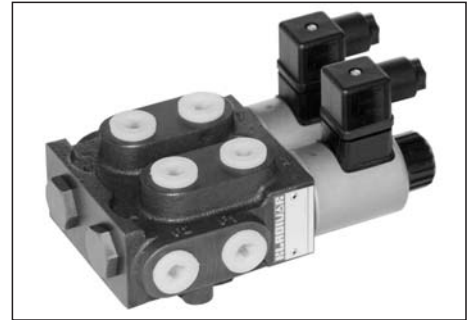


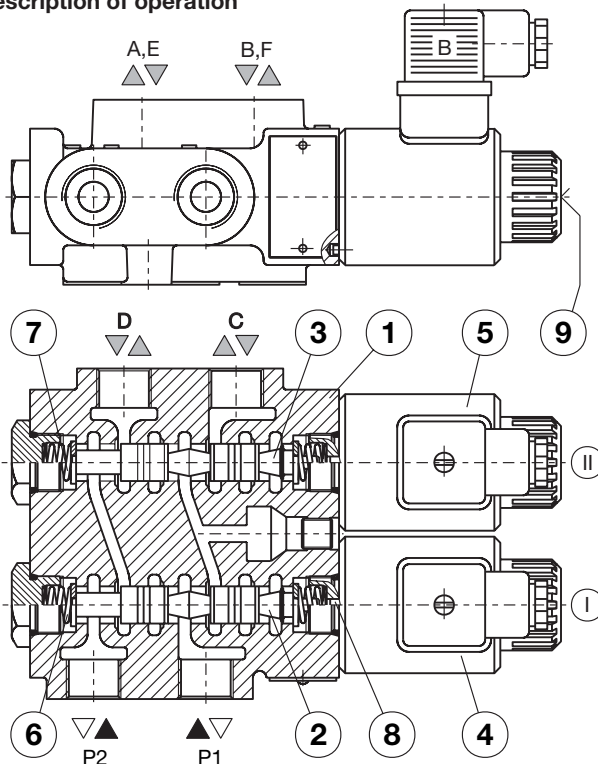
8/3-WAY DIRECTIONAL VALVES type KV

- NS 6
- to 210 bar
- to 50 l/min
- Direct operation by solenoid
- Plug-in connector for solenoids to ISO 4400
- Threaded connection to ISO 9974, ISO 1179
- Fulfil EMC (89/336/EEC)



KV-8/3-6

Description of operation



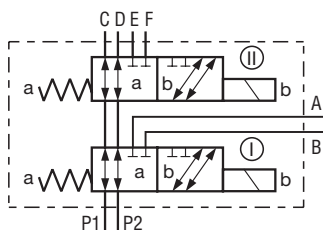
Directional valves type KV with direct solenoid operation control the direction of the hydraulic medium flow. They are mostly used as link between three consumers and the basic directional valve, when we wish to control both consumers alternately by means of one basic directional valve.

The KV type directional valves consist of a housing (1), a control spool (2,3), two solenoids (4,5) with return spring (6,7). Change-over to one of the operating positions is done by combination of operation of solenoids (4,5), whereby the solenoid plunger acts on the control spool (2,3) via the operating pin (8), thus clearing the corresponding flow ways and establishing respective links between the ports P1, A, B, C, D, E, F and P2, as seen forth in the schematic diagram of a mounting example.

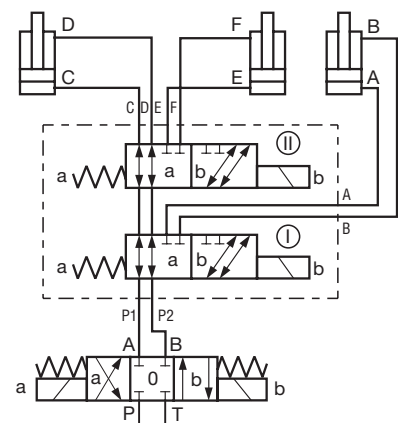
When the solenoid (4,5) is de-energised, the control spool (2,3) is returned to their neutral position by the return spring (6,7).

The change-over can also be done manually by pressing the emergency hand operator (9).

Symbol



Mounting example



Technical data

		Hydraulic
Size		6
Flow rate	l/min	50
Operating pressure	bar	210
Oil temperature range	°C	-20 to +70
Viscosity range	mm ² /s	15 to 380
Mounting position	optional	
Mass	kg	3,8
Filtration	NAS 1638	8

Electrical

Supply voltage	V	12, 24 DC
Power	W	29
(12 V DC supply voltage)	W	36
Switching frequency	1/h	15000
Ambient temperature	°C	to +50
Coil temperature	°C	to +180
Duty cycle	continuous	

Ordering code

KV-8/3-6 - - - - *

Supply voltage

Threaded connections

Plug-in connector

Seal type

Special requirements to be briefly specified

Supply voltage

direct voltage 24 V = no desig.
direct voltage 12 V = 12 DC

Threaded connections

M 18x1.5 = no desig.
M 22x1,5 = M 22
G 3/8 = G 3/8
G 1/2 = G 1/2

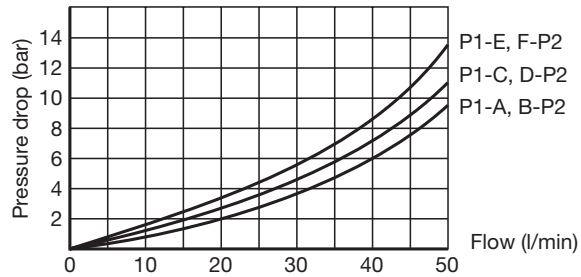
Plug-in connector

without signal lamp = no desig.
with signal lamp = L

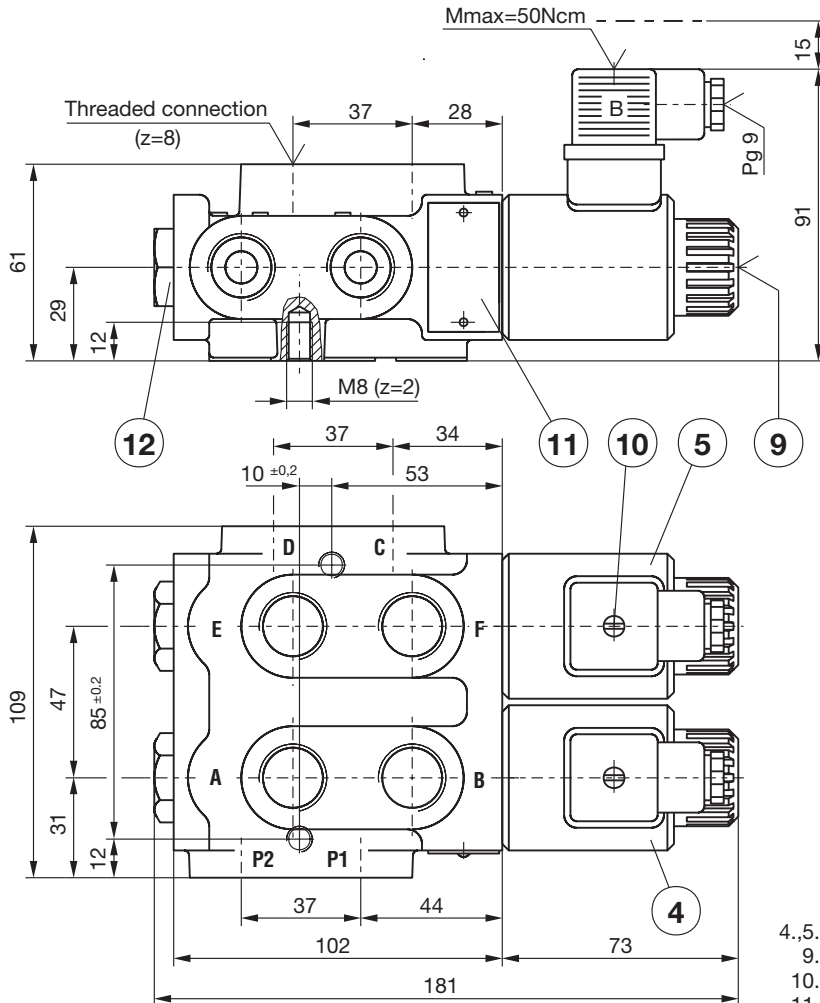
Seal type

NBR seals for mineral oil HL, HLP, to DIN 51524 = no desig.
FPM seals for HETG, HEES, HEPG to VDMA 24568 = E
and ISO 15380

$\Delta p - Q$ Performance curves
(measured at $t = 50\text{ }^\circ\text{C}$ and $\nu = 32\text{ mm}^2/\text{s}$)



Dimensions (mm)



- 4.,5. Solenoids "b" MR-045
- 9. Emergency hand operator
- 10. Plug-in connector "b" - black
- 11. Nameplate
- 12. Valve cap