

# SECTION A

## DC MOTOR OPTIONS



### Starting relays

for motors diameter Ø80 and Ø114

Weight: 0,3kg (100A), 0,6 kg (150A)

Protection degree: IP54

Max current drawn by the solenoid: 3,6A 12V - 2,0A 24V

Nominal current	Peak Current (5s)	Spare part code
100A	200A	M47RC0001 (12V DC) M47RC0002 (24V DC)
150A	300A	M47SC0001 (12V DC) M47SC0002 (24V DC)



### Starting relay (reversible) 100A

for reversible motors and pumps

Weight: 0,50 kg

Protection degree: IP65

Nominal current: 100A (S3 25%)

Peak current (40ms): 400A

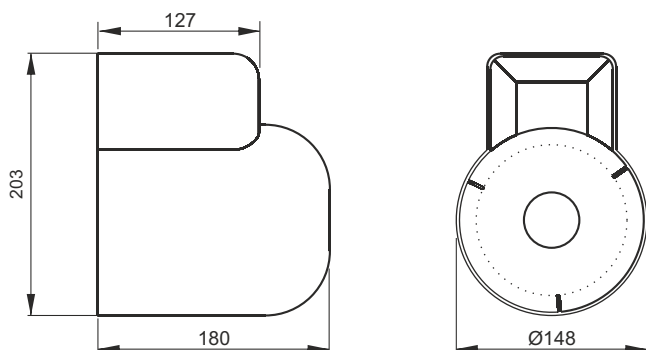
Current drawn by the solenoid: 1A 12V - 0,5A 24V

Spare part code
M47NB0001 (12V DC) M47NB0002 (24V DC)



### Plastic cover for DC motors Ø 114

Weight: 0,27 kg

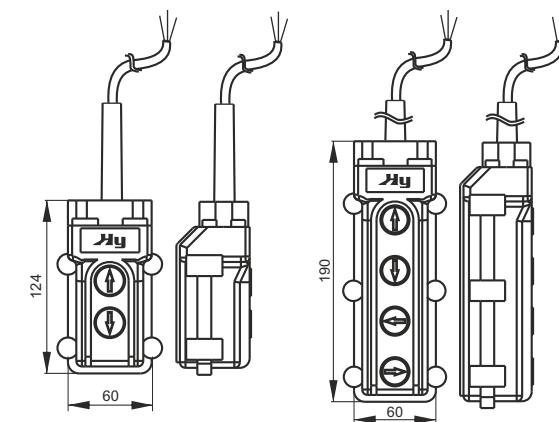


Assembly code	Spare part code
MC	F16000001



Weight: 0,60 kg

Protection degree: IP65



Description	Spare part code
Remote wired control with 2 buttons single/double acting	P0201
Remote wired control with 4 buttons double acting	P0202