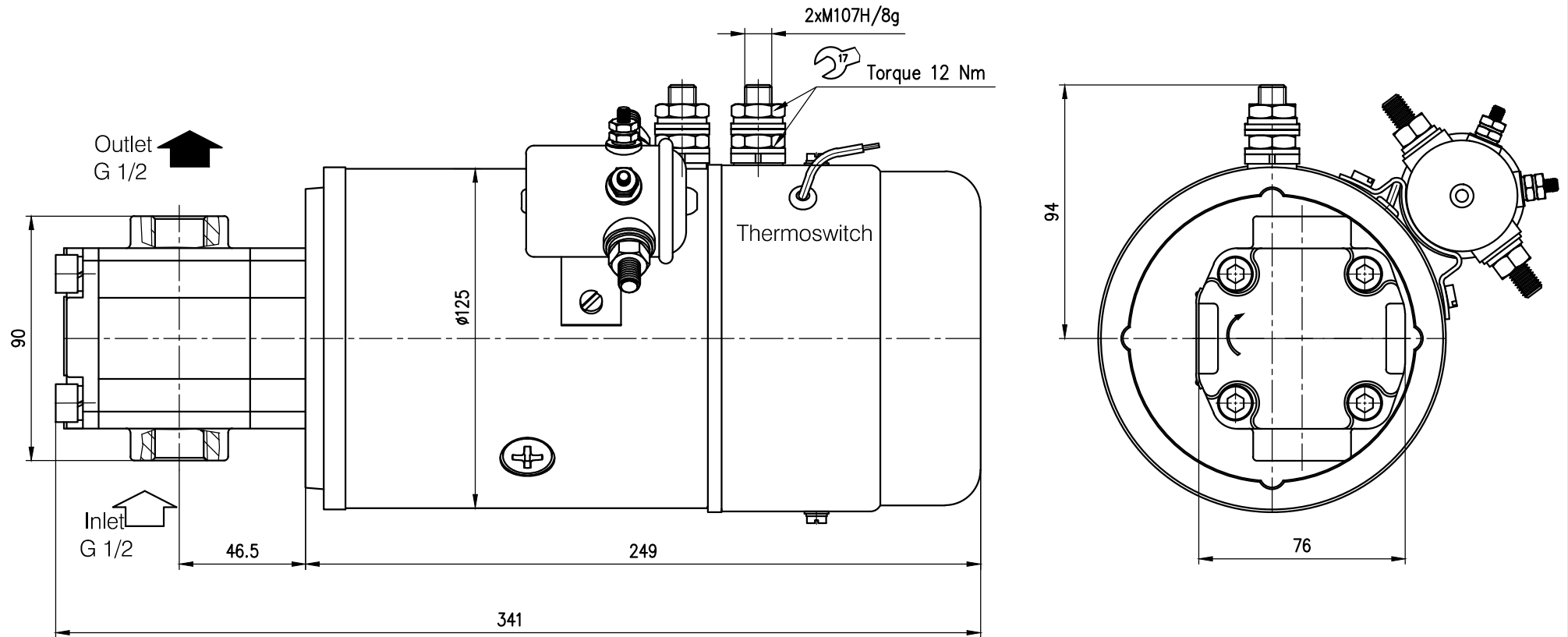


MOTOR - PUMP
DCM 3/2.4/35-01-V - 10A4.2X001G



MOTOR

Supply Voltage 24 V
 Rated Power 3 kW
 Rated speed 3500 rpm
 Rated current 168 A
 Operation mode S2 = 8 min
 IP 20
 Insulation F

PUMP

Displacement 4.2 cc
 Max pressure 90 bar
 Flow ~14 L/min



JOINT-STOCK COMPANY

caproni

HYDRAULIC COMPONENTS AND SYSTEMS

6100 Kazanlak, BULGARIA, 45, General Stoletov Str.

Tel: +359 /431/62 229; 6231

Fax: +359 /431/ 62 230; +359 /431/ 63 134

E-mail: caproni@caproni.bg; WEB: <http://www.caproni.bg>