

SUZZARA
BLUE

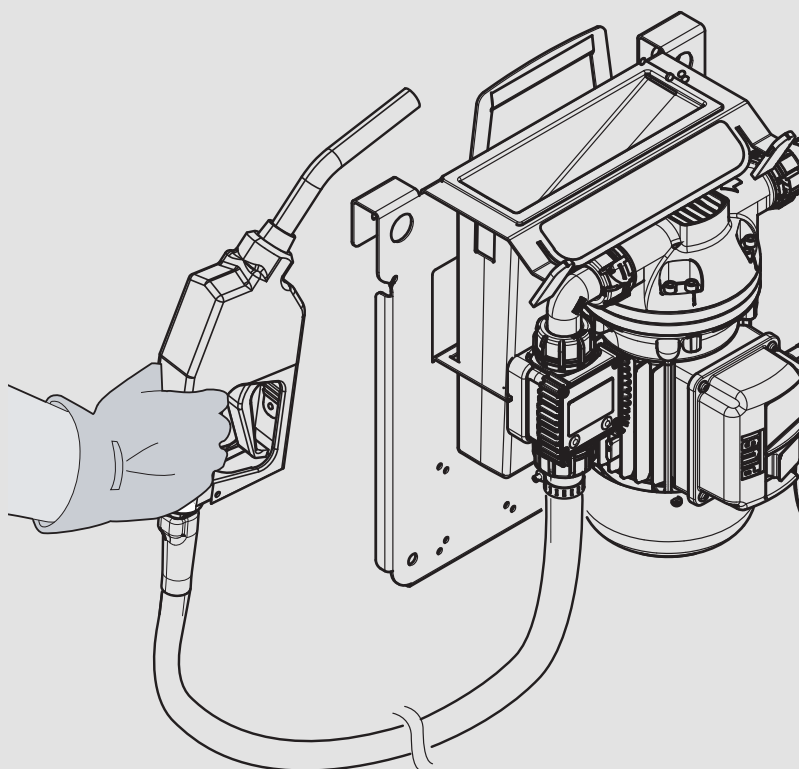
**PRO
BASIC**

INSTRUCTION MANUAL

INSTALLATION. USE AND MAINTENANCE

MANUALE DI ISTRUZIONI

INSTALLAZIONE, USO E MANUTENZIONE



M0195ENIT rev.1

INDEX

1.1.	GENERAL WARNINGS	5
1.2.	SAFETY INSTRUCTIONS	6
1.2.1.	SAFETY WARNINGS	6
1.2.2.	FIRST AID RULES	6
1.2.3.	GENERAL SAFETY RULES	7
1.3.	DISPENSING SYSTEM PACKAGING	7
1.4.	PACKAGE CONTENTS/PRE-INSPECTION	8
1.4.1.	SIDE CONSISTS OF	8
1.5.	MACHINE AND MANUFACTURER IDENTIFICATION ...	9
1.6.	PLATE POSITION	9
1.7.	TECHNICAL SPECIFICATIONS	10
1.8.	INTENDED USE	11
1.9.	TREATED PRODUCT CHARACTERISTICS	12
1.10.	INSTALLATION	13
1.11.	ASSEMBLY	14
1.12.	INSTALLATION ONTO IBC/TOTE TANKS	15
1.13.	OPERATION AND USE	16
1.14.	LEAVING THE SYSTEM UNUSED FOR LONG PERIODS OF TIME	18
1.15.	WASHING THE DISPENSING SYSTEM	18
1.16.	MAINTENANCE	19
1.17.	TROUBLESHOOTING	20
1.18.	DEMOLITION AND DISPOSAL	21
1.19.	WARRANTY	22

DECLARATION CE OF CONFORMITY

The undersigned:

PIUSI S.p.A
Via Pacinotti c.m. z.i.Rangavino
46029 Suzzara - Mantova - Italy

HEREBY STATES

under its own responsibility, that the equipment described below:

Description : urea and water solution dispenser
Model : Suzzara Blue Side
Serial number: refer to Lot Number shown on CE plate affixed to product
Year of manufacture: refer to the year of production shown on the CE plate affixed to the product

is in conformity with the legal provisions indicated in the directives :

- **Machine Directive 2006/42/EC**
- **Low-Voltage Directive 2006/95/EC**
- **Electromagnetic Compatibility Directive 2004/108/EC**

The documentation is at the disposal of the competent authority following motivated request at Piusi S.p.A. or following request sent to the email address: doc_tec@piusi.com

The person authorised to compile the technical file and draw up the declaration is Otto Varini as legal representative.

Place and date
01/01/2010

Signature
Otto Varini



1.1. GENERAL WARNINGS

Warnings

To ensure operator safety and to protect the dispensing system from potential damage, workers must be fully acquainted with this instruction manual before attempting to operate the dispensing system.

Symbols used in the manual

The following symbols will be used throughout the manual to highlight safety information and precautions of particular importance:



WARNING

This symbol indicates safe working practices for operators and/or potentially exposed persons.



WARNING

This symbol indicates that there is risk of damage to the equipment and/or its components.



NOTE

This symbol indicates useful information.

Manual preservation

This manual should be complete and legible throughout. It should remain available to end users and specialist installation and maintenance technicians for consultation at any time.

Reproduction rights

All reproduction rights are reserved by Piusi S.p.A.
The text cannot be reprinted without the written permission of Piusi inc.

© Piusi S.p.A.

THIS MANUAL IS THE PROPERTY OF Piusi S.p.A.

ANY REPRODUCTION, EVEN PARTIAL, IS FORBIDDEN.

1.2. SAFETY INSTRUCTIONS

1.2.1. SAFETY WARNINGS

Mains - preliminary checks before installation

Before installation, make sure that the electric power supply network is fitted with a suitable earth-line and complies with the regulations in force.



WARNING

You must avoid any contact between the electrical power supply and the fluid that needs to be pumped.

Maintenance control

Before any checks or maintenance work are carried out, switch the system's power off by disconnecting the plug from the socket.

Prohibitions



WARNING

**It is strictly forbidden to support or transport the system using a power supply cable.
It is strictly forbidden to support or transport the system using a suction or outlet pipe.**

1.2.2. FIRST AID RULES

Contact with the product

In the event of problems developing following EYE/SKIN CONTACT, INHALATION or INGESTION of the treated product, please refer to the SAFETY DATA SHEET AD-BLUE/AUS32

Persons who have suffered electric shock

Disconnect the power source, or use a dry insulator to protect yourself while you move the injured person away from any electrical conductor. Avoid touching the injured person with your bare hands until he is far away from any conductor. Immediately call for help from qualified and trained personnel. Do not operate switches with wet hands.



NOTE: Please refer to the safety data sheet for the product

1.2.3. GENERAL SAFETY RULES

Essential protective equipment characteristics

Wear protective equipment that is:

- suited to the operations that need to be performed;
- resistant to cleaning products.

Personal protective equipment that must be worn

Wear the following personal protective equipment during handling and installation:



safety shoes;



close-fitting clothing;



protective gloves;



safety goggles;



instruction manual



DANGER

Never touch the electric plug or socket with wet hands.

Do not switch the dispensing system on if the network connection cable or important parts of the apparatus are damaged, such as the inlet/outlet pipe, nozzle or safety devices. Replace the damaged pipe immediately.

Before each use, check that the network connection cable and power plug are not damaged. Have the network connection cable replaced immediately by a qualified electrician.



WARNING

The electrical connection between the plug and socket must be kept well away from water.

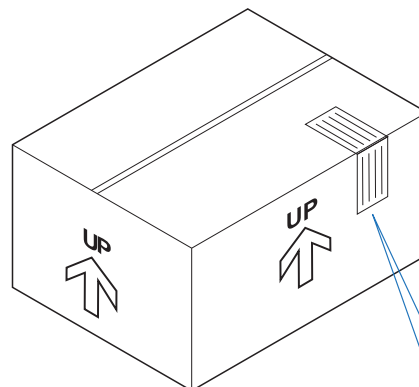
Unsuitable extension leads can be dangerous. In accordance with current regulations, only extension cords that are labelled for outdoor use and have a sufficient conduction path should be used outdoors.

For safety reasons, we recommend that, in principle, the equipment be used only with a earth-leakage circuit breaker (max 30 mA).

1.3. DISPENSING SYSTEM PACKAGING

The dispensing system comes packed in a cardboard box bearing the following markings:

- an arrow indicating the TOP side;
- a label containing all the information relating to the equipment (model, weight, etc.)..



1.4. PACKAGE CONTENTS/PRE-INSPECTION

To open the cardboard packaging, use a pair of scissors or a cutter, being careful not to damage the dispensing system or its components. Open the packaging and check that the following components provided as part of the equipment are available:



NOTE

In the event that one or more of the components described below are missing from inside the package, please contact Piusi inc technical support.

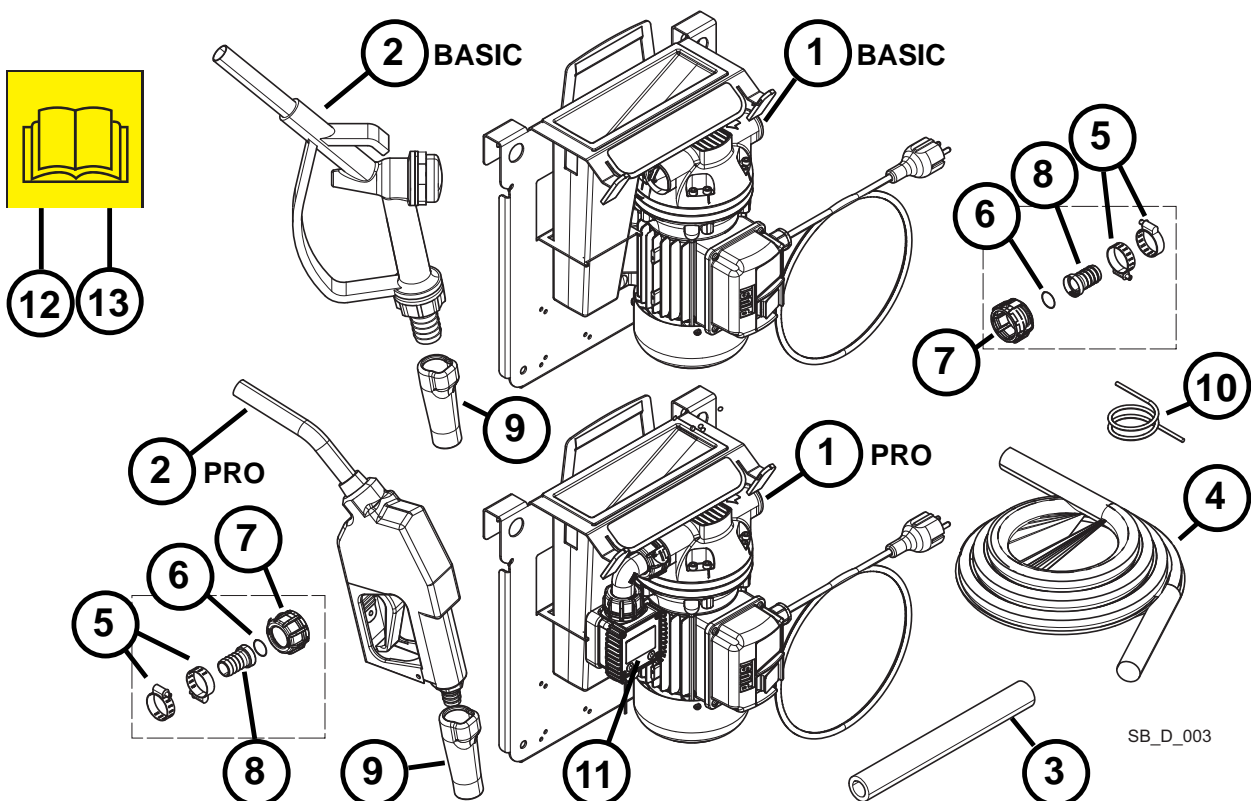


WARNING

Check that the data on the plate correspond to the desired specifications. In the event of any anomaly, contact the supplier immediately, indicating the nature of the defects. Do not use equipment which you suspect might not be safe.

1.4.1. SIDE CONSISTS OF:

- | | | | |
|---|-------------------------------------|----|--|
| 1 | Pump assembly | 8 | No. 2 hose-end fittings |
| 2 | nozzle | 9 | swivel protection |
| 3 | suction hose | 10 | synthetic rope |
| 4 | delivery hose | 11 | Meter K24 (PRO version) |
| 5 | No. 4 clamps | 12 | use and maintenance handbook for SUZZARABLUE dosing system |
| 6 | No. OR seals | 13 | use and maintenance handbook for meter K24 (PRO version) |
| 7 | No. 2 ring nuts for swivel, plastic | | |



THIS MANUAL IS THE PROPERTY OF PIUSI S.p.A. - ANY REPRODUCTION, EVEN PARTIAL, IS FORBIDDEN
translated from Italian

1.5. MACHINE AND MANUFACTURER IDENTIFICATION

The dispensing system comes with an identification plate; this is attached to the pump and contains the following information:

- type;
- lot number / Production year;
- technical data;
- use and maintenance handbook code



WARNING
Before installing, always make sure the type of dispensing system is correct and suitable for the available power supply (Voltage/Frequency.)

1.6. PLATES POSITION

The dispensing system is equipped with decals and/or plates to provide operators with the necessary important information. Make sure that these do not deteriorate or become detached over time.



NOTE
Should this situation arise, please contact our support department and arrange to have the damaged or missing plates sent back and replaced where necessary.

The decals present are as follows:



protection gloves;



consult the user and maintenance manual;



safety goggles



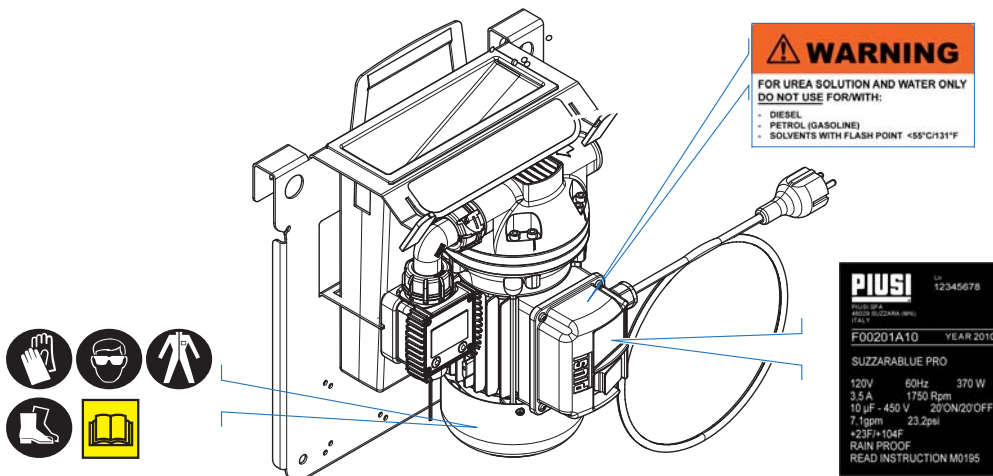
product for dispensing.



close-fitting clothing



safety shoes



1.7. TECHNICAL SPECIFICATIONS

Dimensions	
Length (A) *	324 mm / 12,75"
Depth (B)	208 mm / 8,19"
Height (C)	393 mm / 15,47"

Weight	
BASIC Version	13,2 kg / 29,10 lb
PRO Version	15,9 kg / 35 lb

Technical Specifications	
Voltage	230 V
Frequency	50 Hz
Power	520 W
Absorption	2,4 A
Revolutions	2900 rpm
Operating temperature	+23°F / +104°F / -5°C/+40°C
Q-max	10,5 gpm / 40 l/min
P-max	50,75 psi / 3,5 bar
Protection	IP55
Reference manual	M0195

1.8. INTENDED USE

Intended use

The dispensing system "SUZZARABLUE" was designed and built for the distribution of the product called AdBlue®, AUS32 or water.

Conditions of use

The dispensing system "SUZZARABLUE" should be used by observing the following conditions:

- Max. temperature of dispensed product: +35 °C.
 - Min temperature of dispensed product: -11 °C.
 - Max. temperature of dispensed product permitted by materials: +40°C.
 - Voltage variation permitted: +/- 5%
 - Equivalent continuous sound pressure level at the workstation: ≤75 dB(A)
 - Make sure that the pump operates within its nominal operating parameters.
-

Flammable liquids and explosive atmosphere



WARNING

The system "SUZZARABLUE" was not designed for dispensing of diesel, petrol, flammable liquids with flash point <55°C/131°F, or for operation in environments with potentially explosive atmosphere. The use in the above mentioned conditions is forbidden.

Unintended use



WARNING

The use of the system for purposes different from those specified in section "Intended use" is strictly forbidden.

Do not operate the system for any purpose other than the purpose described within this manual; all other use is considered "IMPROPER" and will result in Piusi S.p.A. disclaiming any responsibility for damage to property, people, animals or to the system itself.



WARNING

Do not keep the pump in motion with the nozzle in the closed position for more than 3 minutes.

1.9. TREATED PRODUCT CHARACTERISTICS

Products permitted

The "SUZZARABLUE" dispensing system was designed and built to dispense a special liquid, made from an aqueous urea solution, known as AdBlue®/AUS32 , based on the ISO 22241 standard SUZZARABLUE can also be used with water.



Products not permitted

WARNING

All products not listed in the "Intended Use" and "Treated Product Characteristics" paragraphs are to be considered not permitted, improper and therefore prohibited.

Piusi S.p.A. accepts no responsibility for damage to persons or property caused by failure to comply with this requirement.

1.10. INSTALLATION

Foreword

The "SUZZARABLUE" dispensing system has been designed and equipped for IBC/TOTE tank installation. Any different form of installation must guarantee secure fastening.

Authorised installation personnel

All installations must be carried out by authorised and competent personnel only. Authorised persons must:

- install the system in dry and well-ventilated place;
 - ensure the correct installation of equipment required for the correct functioning of the pump;
 - only use accessories that have been supplied with the system.
-

Accessories not permitted



WARNING

The use of accessories that are unsuitable and were not provided with the system is strictly prohibited. Piusi S.p.A. accepts no responsibility for damage to persons, property or the environment caused by failure to comply with this requirement.



WARNING

The "SUZZARABLUE" dispensing system is for professional use only.



WARNING

As per the current legislation, the "SUZZARABLUE" dispensing system must be installed in premises that are sufficiently well-lit.



WARNING

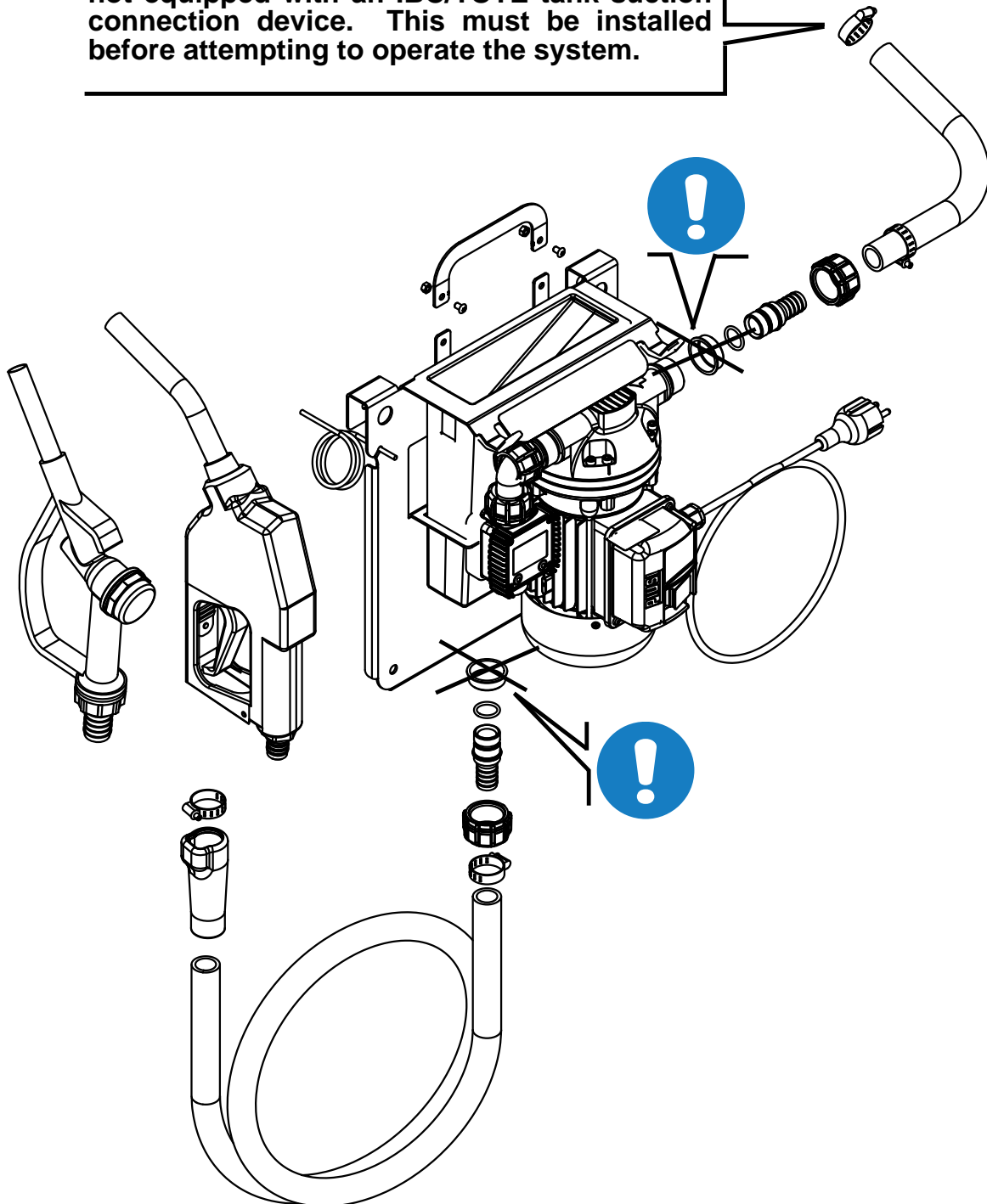
The "SUZZARABLUE" dispensing system has been specifically designed for use in a dry place. If installed outside, an adequate protective covering must be provided.

1.11. ASSEMBLY

Assemble as shown in the illustration.
See components number at the cap. 1.4.1



The “SUZZARABLUE” dispensing system is not equipped with an IBC/TOTE tank suction connection device. This must be installed before attempting to operate the system.



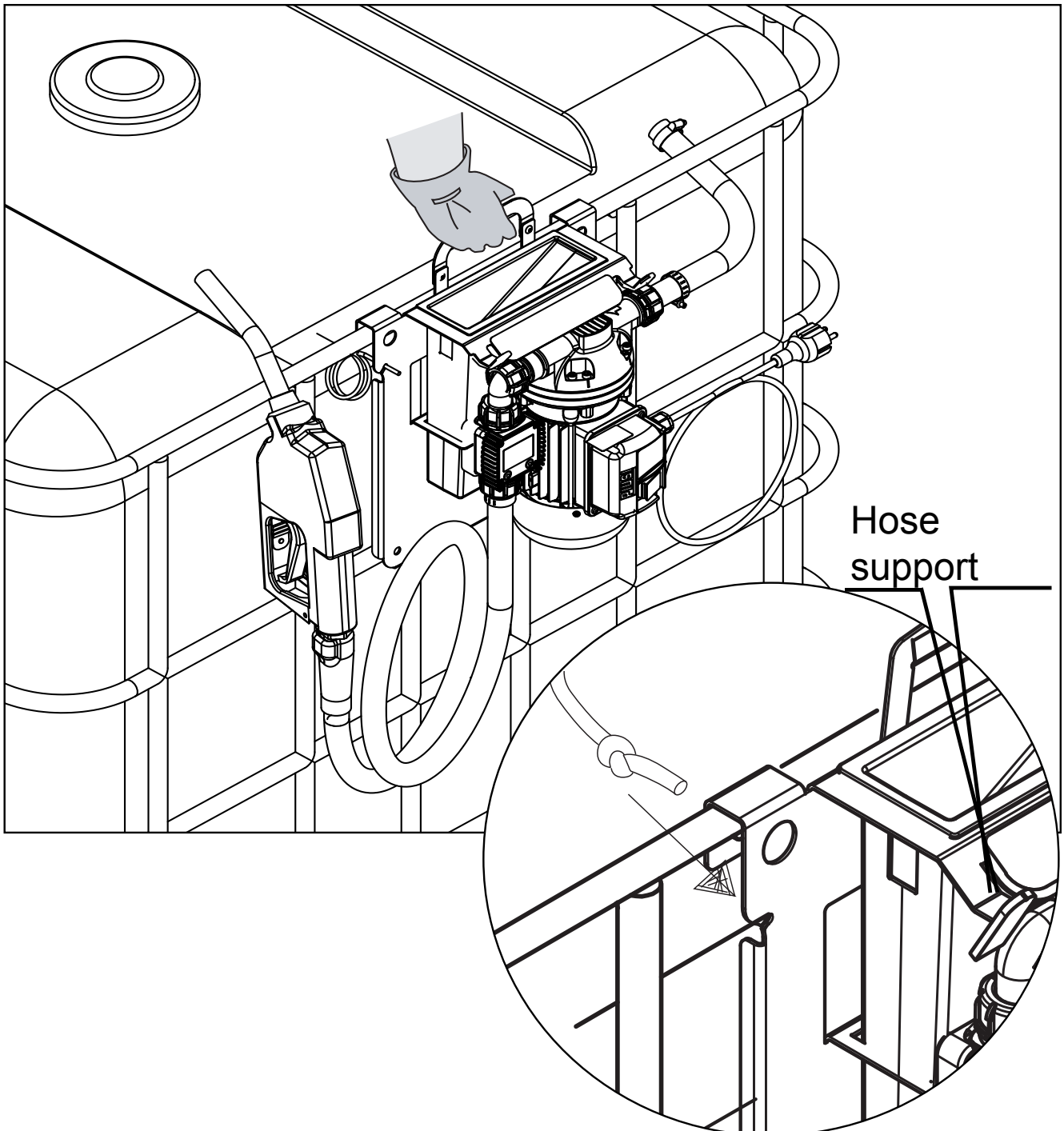
1.12. INSTALLATION ONTO IBC/TOTE TANKS



NOTE

Different forms of installation, i.e. without the tanks indicated, are only permitted if they are capable of guaranteeing that the dispensing system will be firmly and stably fastened.

Use the hooks and rope provided to firmly and stably fasten the dispensing system to the tank.



1.13. OPERATION AND USE

Foreword

Directions on how to start and stop operation of the system are given below:



WARNING

During operation the motor may be hot: be careful.

WARNING

The “SUZZARABLUÉ” dispensing system is not equipped with an IBC/TOTE tank suction connection device. This must be installed before attempting to operate the system.



WARNING

For the proper functioning of the system, allow a 20-minute stop for every 20 minutes of dispensing.



WARNING

Operation of the pump without dispensing is only admitted for periods of no longer than 3 minutes.



WARNING

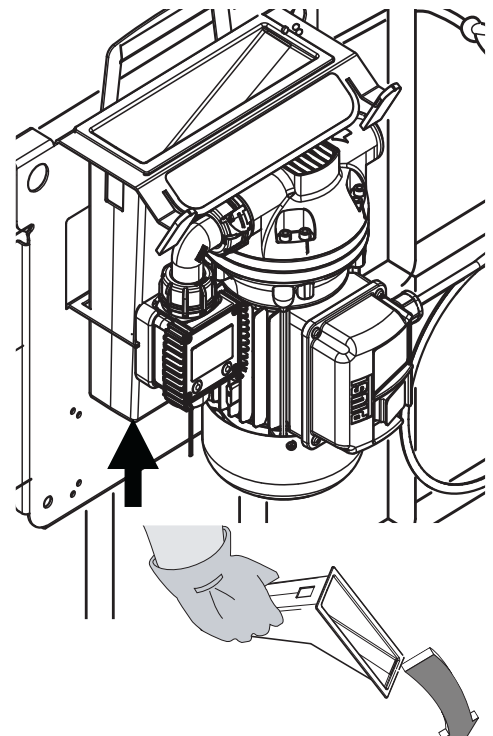
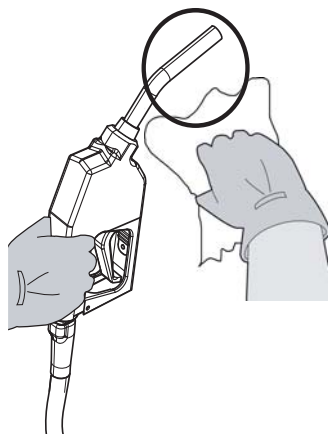
We recommend that the pump remains switched off whenever the system is not in use.



WARNING

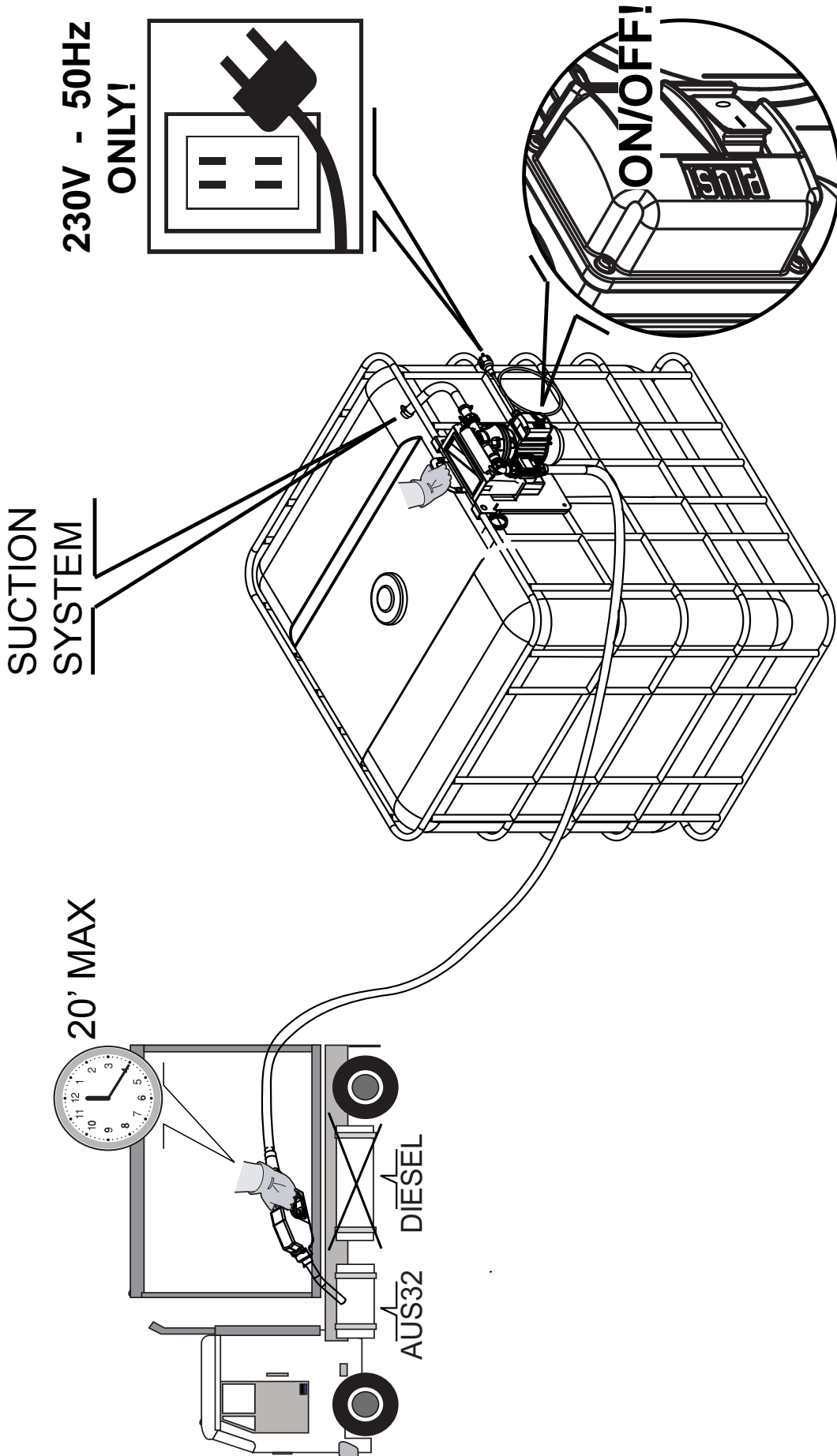
If ever the voltage is lagging, push the switch to the OFF position and return the nozzle to its rest position with its lever not activated.

Getting started:



FOR AD-BLUE® /AUS32

AND WATER ONLY!
empty nozzle holder



1.14. LEAVING THE SYSTEM UNUSED FOR LONG PERIODS OF TIME

What to do

Whenever it is thought that the system will remain unused for at least 15 days, it must be emptied in order to prevent the product from crystallising inside. This shall be followed by a washing cycle..

1.15. WASHING THE DISPENSING SYSTEM

Foreword

The dispensing system requires washing in order to remove product crystallisation which may damage the plant.



WARNING

Wear personal protective equipment (PPE) when performing the wash cycle.



WARNING

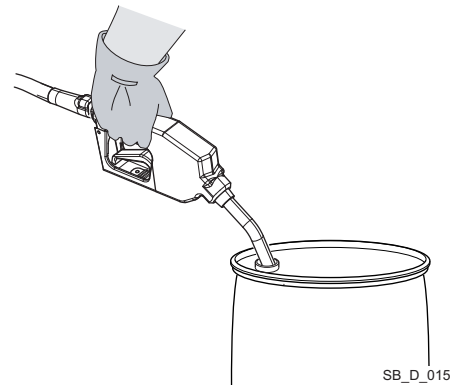
Use only demineralised water to wash the system.

Disposal

Liquids resulting from washing must be disposed of in accordance with the laws prevailing in the country of use.



By following the same modes of delivery described above, the dispensing system can be washed by sucking up demineralised water from the clean container and collecting the resulting mixture in a different disposable container.



SB_D_015

1.16. MAINTENANCE

Safety instructions	<p>The dispensing system was designed and built to require a minimal amount of maintenance. Before carrying out any maintenance work, disconnect the dispensing system from any electrical and hydraulic power source. During maintenance, the use of personal protective equipment (PPE) is compulsory. In any case always bear in mind the following basic recommendations for a good functioning of the pump</p>
Authorised maintenance personnel	<p>All maintenance must be performed by qualified personnel. Tampering can lead to performance degradation, danger to persons and/or property and may result in the warranty being voided.</p>
Measures to be taken	<ul style="list-style-type: none">• Whenever there is risk of frost, empty the circuit and the pump, taking care to place the pump in an environment where the temperature is no lower than 0°C/32°F. <p>Check that the labels and plates found on the dispensing system do not deteriorate or become detached over time.</p>

ONCE A WEEK:

- Check that the pipe connections are not loose to prevent any leaks;
- Check and keep the filter installed on the suction line clean.

ONCE A MONTH:

- Check the pump body and keep it clean and free of any impurities;
- Check that the electrical supply cables are in good condition.

1.17. TROUBLESHOOTING

PROBLEM	POSSIBLE CAUSE	CORRECTIVE ACTION
THE MOTOR IS NOT TURNING	Lack of electric power	Check the electrical connections and the safety systems.
	Rotor jammed	Check for possible damage or obstruction of the rotating components.
	Motor problems	Contact the Service Department
THE MOTOR TURNS SLOWLY WHEN STARTING	Low voltage in the electric power line	Bring the voltage back within the anticipated limits
LOW OR NO FLOW RATE	Low level in the suction tank	Refill the tank
	Foot valve blocked	Clean and/or replace the valve
	Filter clogged	Clean the filter
	Excessive suction pressure	Lower the pump with respect to the level of the tank or increase the cross-section of the tubing
	High loss of head in the delivery circuit (working with the by-pass open)	Use shorter tubing or of greater diameter
	By-pass valve blocked	Contact the Service Department
	Air entering the pump or the suction tubing	Check the seals of the connections
	A narrowing in the suction tubing	Use tubing suitable for working under suction pressure
	Low rotation speed	Check the voltage at the pump. Adjust the voltage and/or use cables of greater cross-section
	The suction tubing is resting on the bottom of the tank	Modify tubing properly.
	Freezing of the pump or motor.	Thaw the pump and check for damage. Starting a frozen pump can cause damage to the motor and to the pump itself
	Leaks in the pump outlet pipe.	Check the seal at the pipe's connections and inspect the pipe for possible damage.
INCREASED PUMP NOISE	Cavitation occurring	Reduce suction pressure
	Irregular functioning of the by-pass	Dispense until the air is purged from the by-pass system.
	Presence of air in the liquid to be pumped.	Verify the suction connections
LEAKAGE FROM THE PUMP BODY	Pump damage	Contact the Service Department

1.18. DEMOLITION AND DISPOSAL

Foreword

If the system needs to be disposed, the parts which make it up must be delivered to companies that specialize in the recycling and disposal of industrial waste and, in particular:

DISPOSAL OF OTHER PARTS:

Other components, such as pipes, rubber gaskets, plastic parts and wires, must be disposed of by companies specialising in the disposal of industrial waste.

Disposing of packing materials

The packaging consists of biodegradable cardboard which can be delivered to companies for normal recycling of cellulose.

Metal Parts Disposal

Metal parts, whether paint-finished or in stainless steel, can be consigned to scrap metal collectors.

Disposal of electric and electronic components

These must be disposed of by companies that specialize in the disposal of electronic components, in accordance with the indications of directive 2002/96/CE (see text of directive below).



Information regarding the environment for clients residing within the European Union

European Directive 2002/96/EC requires that all equipment marked with this symbol on the product and/or packaging not be disposed of together with non-differentiated urban waste. The symbol indicates that this product must not be disposed of together with normal household waste. It is the responsibility of the owner to dispose of these products as well as other electric or electronic equipment by means of the specific refuse collection structures indicated by the government or the local governing authorities.

Miscellaneous parts disposal

Other components, such as pipes, rubber gaskets, plastic parts and wires, must be disposed of by companies specialising in the disposal of industrial waste.



Bulletin M0195ENIT rev1