

INDEX

A BECOMING ACQUAINTED WITH K24
A1 Measurement System
A2 Display Positioning
A3 Operating modes
A4 LCD display
A5 User Buttons
A6 Battery Housing
B INSTALLATION
B.1 INSTALLATION
C DAILY USE
C.1 Dispensing in Normal mode
C.2 Dispensing with Flow Rate Mode display
D CALIBRATION
D.1 Definitions
D.2 Why Calibrate
D.3 Factory K Factor
D.3.1 Display Of Current "K Factor" And Restoring "Factory K Factor"
D.3.2 In-field Calibration
D.3.3 Direct modification of K factor
E METERS CONFIGURATION
F MAINTENANCE
F.1 BATTERY REPLACEMENT
G MALFUNCTIONS
H TECHNICAL SPECIFICATIONS
I DISPOSAL
I.1 EXPLODED VIEWS AND OVERALL DIMENSIONS

A BECOMING ACQUAINTED WITH K24

Electronic digital meter featuring a turbine measurement system, designed for precise measuring of low viscosity fluids. It is divided into two using macrogroups:

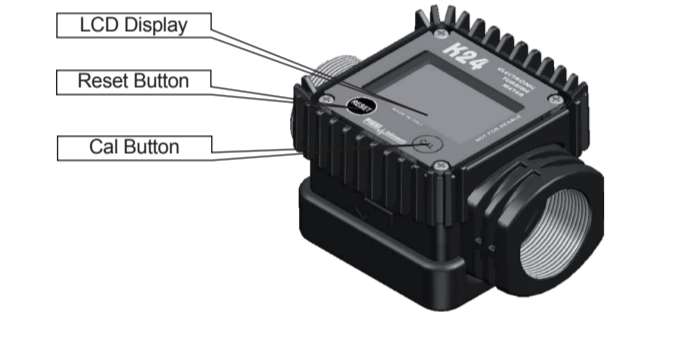
- 1. With body made of non-conductive plastic material of light colour, designed to be used with water / urea solution
2. With body made of conductive plastic material of dark colour (assessed resistance: 50 ohm), designed to be used with DIESEL FUEL, WATER and windscreen fluids.

The card can be rotated with respect to its housing, thus allowing easy readings in any position. The card housing, easily accessible, is closed by a plastic cover sealed through a rubber protection acting as a gasket as well. The whole unit can be easily removed by unscrewing the 4 screws fixing the card and the cover.

A1 Measurement System

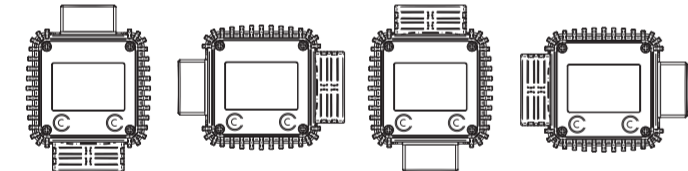
Turbine measurement system. The turbine is placed inside a hole through the body of K24, fitted with threaded inlet and outlet. The body of K24 is made of a plastic material that allows several types of threads with relevant combinations. K24 has 2 rubber protections, designed to act as gaskets, too, and thus reducing the number of its components. The liquids compatible with K24 must be at low viscosity, namely: - Diesel fuel - Water - Water/urea solution - Kerosene - Windscreen - Petrol

Main components:



A2 Display Positioning

The square shape of the K24 body allows the card to be rotated in its housing, thus ensuring great versatility in positioning.



ATTENTION While fixing the K24 card, make sure the battery contact cable is not placed above the circular housing of the bulb.

A3 Operating modes

The user can choose between two different operating modes: - Normal Mode: Mode with display of Partial and Total dispensed quantities. - Flow Rate Mode: Mode with display of Flow Rate, as well as Partial dispensed quantity. The meter features a non-volatile memory for storing the dispensing data, even in the event of a complete power break for long periods. The measurement electronics and the LCD display are fitted in the top part of the K24 which remains isolated from the fluid-bath measurement chamber and sealed from the outside by means of a cover.

A4 LCD display

The LCD of the METER features two numerical registers and various indications displayed to the user only when the applicable function so requires.

Key: 1 Partial register (5 figures with moving comma FROM 0.1 to 99999) indicating the volume dispensed since the reset button was last pressed; 2 Indication of battery charge; 3 Indication of calibration mode; 4 Totals register (6 figures with moving comma FROM 0.1 to 999999), that can indicate two types of Total: 4.1. General Total that cannot be reset (TOTAL) 4.2. Resettable total (Reset TOTAL) 5. Indication of total multiplication factor (x10 / x100) 6. Indication of type of total, (TOTAL / Reset TOTAL). 7. Indication of unit of measurement of Totals: L=Litres Gal=Gallons 8. Indication of Flow Rate mode 9. Indication of unit of measurement of Partial: Qts=Quarts Pts=Pints L=Litres Gal=Gallons

A5 User Buttons

The K24 features two buttons (reset and cal) which individually perform two main functions and, together, other secondary functions. The main functions performed are: - For the reset key, resetting the partial register and resettable total (reset total) - For the cal key, entering instrument calibration mode. Used together, the two keys permit entering configuration mode, useful for changing the units of measurements and calibration factor.

A6 Battery Housing

The K24 is powered by two standard type 1.5 V batteries (size AAA). The battery housing, easily accessible, is closed by a metal cover sealed through a rubber protection acting as a gasket as well. The whole unit can be easily removed by unscrewing the 4 screws fixing the cover and the protection to the body.

B INSTALLATION

K24 features a threaded, perpendicular inlet and outlet (1" gas or npt male and female that can be combined together). It has been designed to be easily installed in any position: fixed in-line or mobile on a dispensing nozzle. In order to improve the life of the turbine, it is recommended to fit a strainer before the meter itself

ATTENTION At the female inlets, tighten the couplings at a max. torque of 55Nm.

C DAILY USE

The only operations that need to be done for daily use are partial and/or resettable total register resetting. The user should use only the dispensing system of K24. Occasionally the meter may need to be configured or calibrated. To do so, please refer to the relevant chapters.

Below are the two typical normal operation displays. One display page shows the partial and reset total registers. The other shows the partial and general total. Switchover from resettable total to general total display is automatic and tied to phases and times that are in factory set and cannot be changed.



NOTE: 6 digits are available for Totals, plus two icons x 10 / x100. The increment sequence is the following: 0.0 - 9999.9 - 99999.9 - 100000 x 10 - 999999 x 10 - 100000 x 100 - 999999 x 100

C.1 Dispensing in Normal mode

Normal mode is the standard dispensing. While the count is made, the partial and resettable total are displayed at the same time (reset total).

Should one of the keys be accidentally pressed during dispensing, this will have no effect. A few seconds after dispensing has ended, on the lower register, the display switches from resettable total to general total: the word reset above the word total disappears, and the reset total is replaced by the general total. This situation is called standby and remains stable until the user operates the K24 again.

C.1.1 Partial reset

The partial register can be reset by pressing the reset key when the meter is in standby, meaning when the display screen shows the word "TOTAL".

After pressing the reset key, during reset, the display screen first of all shows all the lit-up digits and then all the digits that are not lit up.

At the end of the process, a display page is first of all shown with the reset partial and the reset total and, after a few moments, the reset total is replaced by the non resettable Total.

C.1.2 Resetting the Reset Total

The reset total resetting operation can only be performed after resetting the partial register. The reset total can in fact be reset by pressing the reset key at length while the display screen shows reset total as on the following display page:

Schematically, the steps to be taken are:

- 1. Wait for the display to show normal standby display page (with total only displayed),
2. Press the reset key quickly
3. The meter starts to reset the partial
4. While the display page showing the reset total is displayed Press the reset key again for at least 1 second
5. The display screen again shows all the segments of the display followed by all the switched-off segments and finally shows the display page where the reset Reset Total is shown.

C.2 Dispensing with Flow Rate Mode display

It is possible to dispense fluids, displaying at the same time: the dispensed partial the Flow Rate in (Partial Unit / minute) as shown on the following display page:

Procedure for entering this mode: - wait for the Remote Display to go to Standby, meaning the display screen shows Total only - quickly press the CAL key. - Start dispensing The flow rate is updated every 0.7 seconds. Consequently, the display could be relatively unstable at lower flow rates. The higher the flow rate, the more stable the displayed value.

IMPORTANT The flow rate is measured with reference to the unit of measurement of the Partial. For this reason, in case of unit of measurement of the Partial and Total being different, as in the example shown below, it should be remembered that the indicated flow rate relates to the unit of measurement of the partial. In the example shown, the flow rate is expressed in Qts/min.

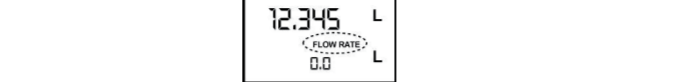
expressed in Qts/min. The word "Gal" remaining alongside the flow rate refers to the register of the Totals (Reset or NON Reset) which are again displayed when exiting from the flow rate reading mode.

To return to "Normal" mode, press the CAL key again. If one of the two keys RESET or CAL is accidentally pressed during the count, this will have no effect.

IMPORTANT Even though in this mode they are not displayed, both the Reset Total and the General Total (Total) increase. Their value can be checked after dispensing has terminated, returning to "Normal" mode, by quickly pressing CAL.

C.2.1 Partial reset

To reset the Partial Register, finish dispensing and wait for the Remote Display



to show a Flow Rate of 0.0 as indicated in the illustration then quickly press RESET

D CALIBRATION

D.1 Definitions

Calibration factor or "k factor": Multiplication factor applied by the system to the electrical pulses received, to transform these into measured fluid units.

FACTORY K FACTOR: Factory-set default factor. It is equal to 1,000. This calibration factor ensures utmost precision in the following operating conditions: Fluid: diesel fuel Temperature: 20°C Flow rate: 10-120 litres/min

Even after any changes have been made by the user, the factory k factor can be restored by means of a simple procedure.

USER K FACTOR: Customized calibration factor, meaning modified by calibration.

D.2 Why Calibrate

When operating close to extreme conditions, such as for instance with fluids close to acceptable range extremes (like diesel fuel at low temperatures) or in extreme flow rate conditions (close to minimum or maximum acceptable values), an on-site calibration may be required to suit the real conditions in which the K24 is required to operate.

D.3 Calibration procedure:

K24 permits making quick and precise electronic calibration by changing the calibration factor (k factor).

- There are 2 different ways of calibration: 1. On-site calibration, performed by means of a dispensing operation. 2. Direct calibration, performed by directly changing the k factor.

To enter the calibration phases it is necessary to press and hold down the "cal" button.

Why enter the calibration phases? • Indicate the currently used calibration factor • Return to factory k factor after a previous calibration with user k factor • Change the calibration factor using one of the two previously indicated procedures. In calibration mode, the partial and total dispensed quantities indicated on the display screen take on different meanings according to the calibration procedure phase. During the calibration, the K24 cannot perform any normal dispensing operations. In calibration mode, the totals are not increased.

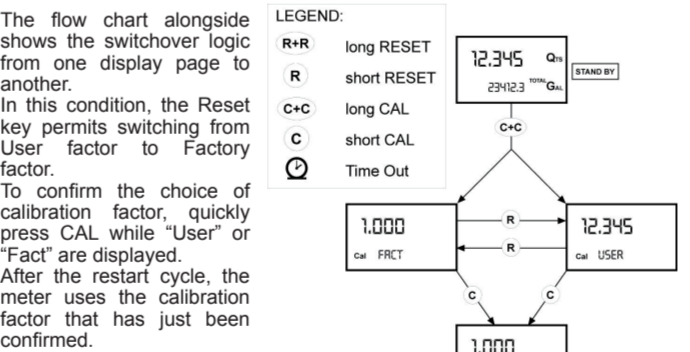
WARNING The K24 features a non-volatile memory. It keeps the calibration and dispensing data stored even after replacing new batteries or long periods of inactivity.

D.3.1 Display Of Current "K Factor" And Restoring "Factory K Factor"

By pressing the cal key while the appliance is in standby, the display page appears showing the current calibration factor used.

If you are using K24 with "factory k factor", the display page shown in the diagram will be displayed, with the word "fact".

If one "user k factor" has been set, the calibration factor set by the user (in our example 0.998) will be displayed. The word "user" indicates a calibration factor set by the user is being used.



ATTENTION When the Factory Factor is confirmed, the old User factor is deleted from the memory

D.3.2 In-field Calibration

This procedure calls for the fluid to be dispensed into a graduated sample container in real operating conditions (flow rate, viscosity, etc.) requiring maximum precision.

WARNING For correct K24 calibration, it is most important to: • completely eliminate air from the system before calibrating; • use a precise Sample Container with a capacity of not less than 5 litres, featuring an accurate graduated indicator. • ensure calibration dispensing is done at a constant flow rate equivalent to that of normal use, until the container is full; • after dispensing, wait a few minutes to make sure any air bubbles are eliminated from the sample container; only read the Real value at the end of this stage, during which the level in the container could drop. • if necessary, carefully follow the procedure indicated below.

D.3.2.1 In-field calibration procedure:

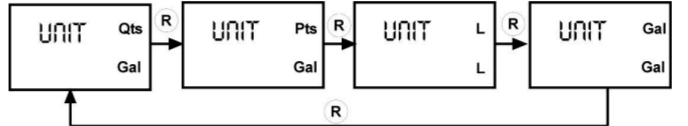
Table with 2 columns: AZIONE and DISPLAY. It details 10 steps of the in-field calibration procedure, including actions like 'NONE', 'LONG CAL KEY KEYING', 'LONG RESET KEY KEYING', 'DISPENSING INTO SAMPLE CONTAINER', 'SHORT RESET KEY KEYING', 'SHORT/LONG CAL KEY KEYING', and 'NO OPERATION'.

E METERS CONFIGURATION

Some models of meter feature a menu with which the user can select the main measurement unit, Quarts (Qts), Pints (Pts), Litres (L), Gallons (Gal). The combination of the unit of measurement of the Partial register and that of the Totals is predefined according to the following table:

Table mapping Combination no. to Unit of Measurement of the Partial Register and Register Unit of Measurement of the Totals.

To choose between the 4 available combinations: • wait for K24 to go to Standby, • press the CAL and RESET keys together. Keep these pressed until the word "UNIT" appears on the screen together with the unit of measurement set at that time (in this example Litres / Litres) • Press the reset key to select the desired combination of unit of measurement, amongst those shown below. • Save the new combination by pressing the cal key at length. K24 will pass through the start cycle and will then be ready to dispense in the set units.



WARNING The Resettable Total and Total registers will be automatically changed to the new unit of measurement. NO new calibration is required after changing the Unit of Measurement.

F MAINTENANCE

K24 has been designed to require a minimum amount of maintenance. The only types of maintenance required are the following: 1. Battery change - necessary when the batteries have run down 2. Cleaning of the turbine with washing or mechanically-handling

F.1 Battery Replacement

The indicated value changes in the direction indicated by the arrow - one unit for every short CAL key keying - continuously if the CAL key is kept pressed. (for the first 5 units slowly and then quickly) If the desired value is exceeded, repeat the operations from point (6).

1) When the battery charge falls below the first level on the LCD, the fixed battery symbol appears.

In this condition, K24 continues to operate correctly, but the fixed icon warns the user that it is ADVISABLE to change the batteries.

2) If K24 operation continues without changing the batteries, the second battery alarm level will be reached which will prevent operation. In this condition the battery icon starts to flash and is the only one to remain visible on the LCD.

WARNING Do not discard the old batteries in the environment. Refer to local disposal regulations.

To change the batteries, with reference to the exploded diagram positions, proceed as follows: • Press RESET to update all the totals • Loosen the 4 fixing screws of the lower cover • Remove the old batteries • Place the new batteries in the same position as the old ones • close the cover again, by positioning the rubber protection as a gasket • K24 will switch on automatically and normal operation can be resumed.

The K24 will display the same Reset Total, the same Total and the same Partial indicated before the batteries were changed. After changing the batteries, the meter does not need calibrating again.

2. Cleaning Only one operation is necessary to clean the K24. After removing K24 from the plant where it was built in, any residual elements can be removed by washing or mechanically-handling. If this operation does not restore a smooth rotation of the turbine, it will have to be replaced.

WARNING: Do not use compressed air onto the turbine in order to avoid its damage because of an excessive rotation

G. MALFUNCTIONS

Table with 3 columns: Problem, Possible Cause, and Azione Correttiva. It lists issues like 'LCD: no indication', 'Not enough measurement precision', and 'Reduced or zero flow rate'.

H TECHNICAL SPECIFICATIONS

Table of technical specifications including Measurement system (TURBINE), Resolution (nominal), Flow Rate, Operating pressure (Max), Bursting pressure (Min), Storage temperature (Range), Storage humidity (Max), Operating temperature (Range), Flow resistance, Viscosity (Range), Accuracy, Reproducibility (Typical), Screen, Power Supply, Battery life, Weight, and Protection.

I DISPOSAL

The components must be given to companies that specialise in the disposal and recycling of industrial waste and, in particular, the

DISPOSAL OF PACKAGING. The packaging consists of biodegradable cardboard which can be delivered to companies for normal recycling of cellulose.

DISPOSAL OF METAL COMPONENTS The metal components, both painted and stainless steel, are usually recycled by companies that are specialised in the metal-scraping industry.

DISPOSAL OF ELECTRIC AND ELECTRONIC COMPONENTS: These have to be disposed by companies that are specialised in the disposal of electronic components, in accordance with the instructions of 2002/96/EC (see text of Directive below).

ENVIRONMENTAL INFORMATION FOR CUSTOMERS IN THE EUROPEAN UNION European Directive 2002/96/EC requires that the equipment bearing this symbol on the product and/or its packaging must not be disposed of with unsorted municipal waste. The symbol indicates that this product should be disposed of separately from regular household waste streams. It is your responsibility to dispose of this and other electric and electronic equipment via designated collection facilities appointed by the government or local authorities.

DISPOSAL OF OTHER PARTS: The disposal of other parts such as pipes, rubber seals, plastic components and cables should be entrusted to companies that special in the disposal of industrial waste.

DECLARATION OF CONFORMITY

In accordance with directive: 89/336/EEC (electromagnetic compatibility) and subsequent amendments

PIUSI S.p.A. - 46029 Suzzara (Mantova) Italy declares that the following flowmeter model K24

which this declaration refers to, complies with the following applicable norms: European norms: EN 61000-6-1; EN 61000-6-3; EN 55014-1-2000; EN55014-2-97

Suzzara, 01/10/2007 Otto Varini the President. Otto Varini

K24 ELECTRONIC TURBINE METER



MANUALE D'USO, MANUTENZIONE E CALIBRAZIONE Italiano USE, MAINTENANCE AND CALIBRATION MANUAL English

Bulletin M0171ITEN rev. 1

