

C DC PUMPS CARRY



EN. Pump transport system. Consists of a sturdy handle that allows you to move pumps safely. The pump can be fitted with a kit to fully and quickly fill the handle, hose, cables and nozzle.

ES. Sistema para el transporte de las bombas. Es un asa resistente que permite desplazar las bombas en condiciones de seguridad. La bomba se puede equipar con un kit para operaciones de repostaje rápido que incluye asa, tubo, cables y pistola.

PT. Sistema para o transporte das bombas. Consiste numa resistente pega que permite deslocar as bombas com segurança. A bomba pode estar equipada com um kit para o reabastecimento rápido composto por pega, tubo, cabos e pistola.

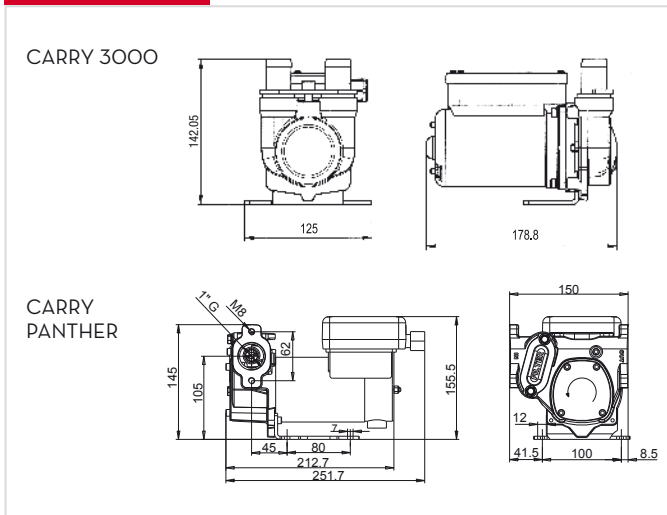
PERFORMANCE

- Flow rate up to 80 l/min
- 12/24 V operation
- Duty cycle 30 min.

- Caudal de hasta 80 l/min.
- Funcionamiento con 12/24 V
- Ciclo de trabajo de 30 min.

- Taxa de fluxo até 80 l/min
- Funcionamento 12/24 V
- Ciclo de trabalho 30 min.

DIMENSIONS



PRODUCTS' RANGE WEIGHT AND PACKAGING

Code	Weight		Packaging		
	kg	lbs	mm	inch	pcs/box
F0022300C	4,2	9,3	260x235x164	10,2x9,3x6,5	1
F0022400C	4,2	9,3	260x235x164	10,2x9,3x6,5	1
F00223260	4,2	9,3	260x235x164	10,2x9,3x6,5	1
F00224240	4,2	9,3	260x235x164	10,2x9,3x6,5	1
F0034004B	9,1	20,1	345x175x255	13,6x6,9x10	1
F0034104C	9,1	20,1	345x175x255	13,6x6,9x10	1

Flow-rate

up to
70 l/min
(up to 18 gpm)



PIUSI[®]

DISPENSERS

PUMPS

METERS

NOZZLE
METERS

NOZZLE

SPECIAL
EQUIPMENTS

FLUID
MONITORING

ACCESSORIES

FILTERING

CARRY 3000



With 2 m cable length

CARRY PANTHER



With cable length 2 m

PRODUCTS' RANGE TECHNICAL DATA

Code	Description	Fluids type	Flow-rate		Voltage			Fuse Amp.	rpm	Duty cycle min.	Max working pressure bar.	Input Output BSP	On/off switch
			l/min	gpm	DC Volt	Power Watt	Amp. max.						
F0022300C	Carry 3000 12V	D	50	13	12	300	22	25	2900	30	1,5	-	YES
F0022400C	Carry 3000 24V / 12V	D	50/30	13/6	24/12	310/80	13/6,5	15	2900/1500	30	1,5	-	YES
F00223260	Carry 3000 inline 12V	D	50	13	12	300	22	25	2900	30	1,5	3/4"	YES
F00224240	Carry 3000 inline 24V	D	50/30	13/6	24/12	310/80	13/6,5	15	2900/1500	30	1,5	3/4"	YES
F0034004B	Carry Panther 12V	D	56	15	12	420	35	-	2900	30	-	1"	YES
F0034104C	Carry Panther 12/24V	D	35/70	9/18	12/24	600/200	25/16	-	3500/1800	30	-	1"	YES