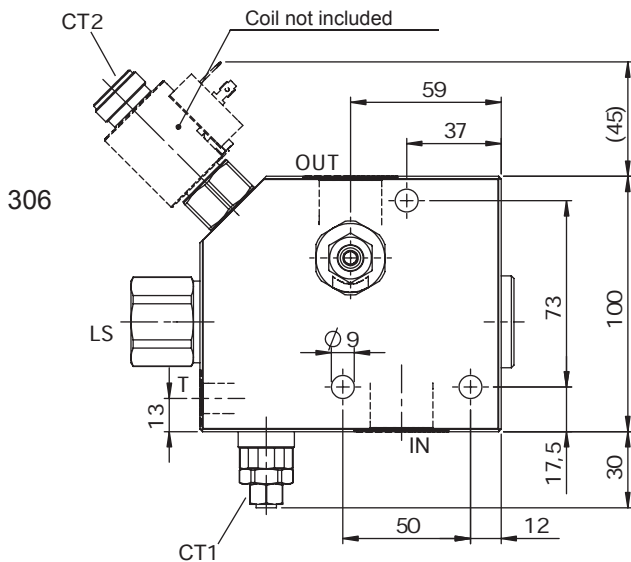
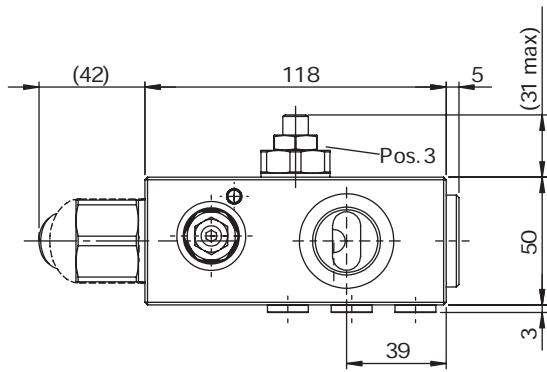
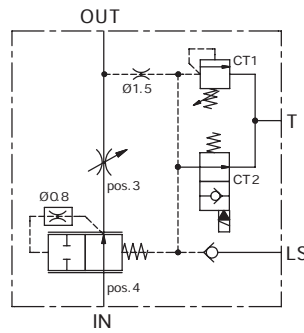


2 WAYS FLOWREGULATOR G3/4", SAE 12

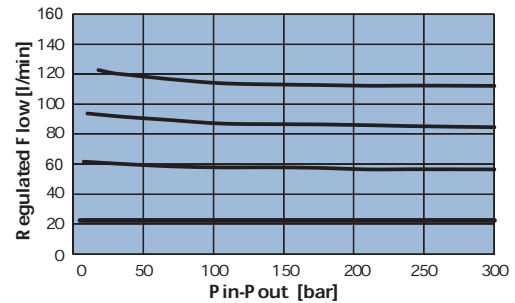
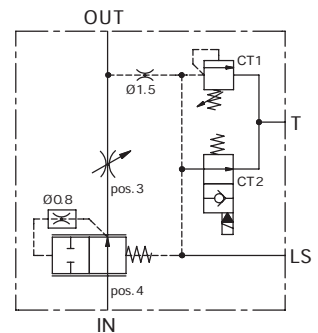
- Max pressure. 350 bar
- Max regulated flow 140 l/min
- Standard regulated flow. 30 l/min
- Regulated flow variation by turn 15,5 l/min
- Weight 4,6 Kg
- Coil **CT-9400** to be ordered separately



SPRING 2-3



SPRING 4-5



Note:

- Flow (OUT) can be regulated at the required value, acting on adjustable screw (pos. 3); flow increases when the screw is turned clockwise.
- Max leakage in T: 3l/min.
- Max backpressure in T: 1,5 Bar.
- For optimal functionality of the compensator, when the electric valve (CT2) is open, it's important to make sure that regulated line OUT is pressurized at 7,5 Bar at least. If not, a unidirectional valve must be installed, to supply the required backpressure (see **D-R-MF-V**).
- Check valve on port LS requires dumping of Load Sensing line, through a compensated draining, when electric valve is open (CT2).
- For applications which need Post-Compensated directional control valves, refer to schemes 2 and 3, in which there is an LS check valve.
- For applications which need Pre-Compensated directional control valves and direct connections to variable piston pumps, refer to schemes 4 and 5.

Ordering code

6 F 2 S [] [] [] 0 0

ELECTRIC-VALVE SCHEME	
0	Normally open - NO

SPRING	2	3	4	5
Setting range [bar]	40 - 220	50 - 350	40 - 220	50 - 350
Pressure Increase [bar/turn]	84	127	84	127
Standard Setting [bar]	210	350	210	350
Check Valve LS	present	present	not present	not present

PORTS	05	55
IN,OUT	G 3/4"	SAE 12
T,LS	G 1/4"	SAE6

RELIEF VALVE SETTING RANGE