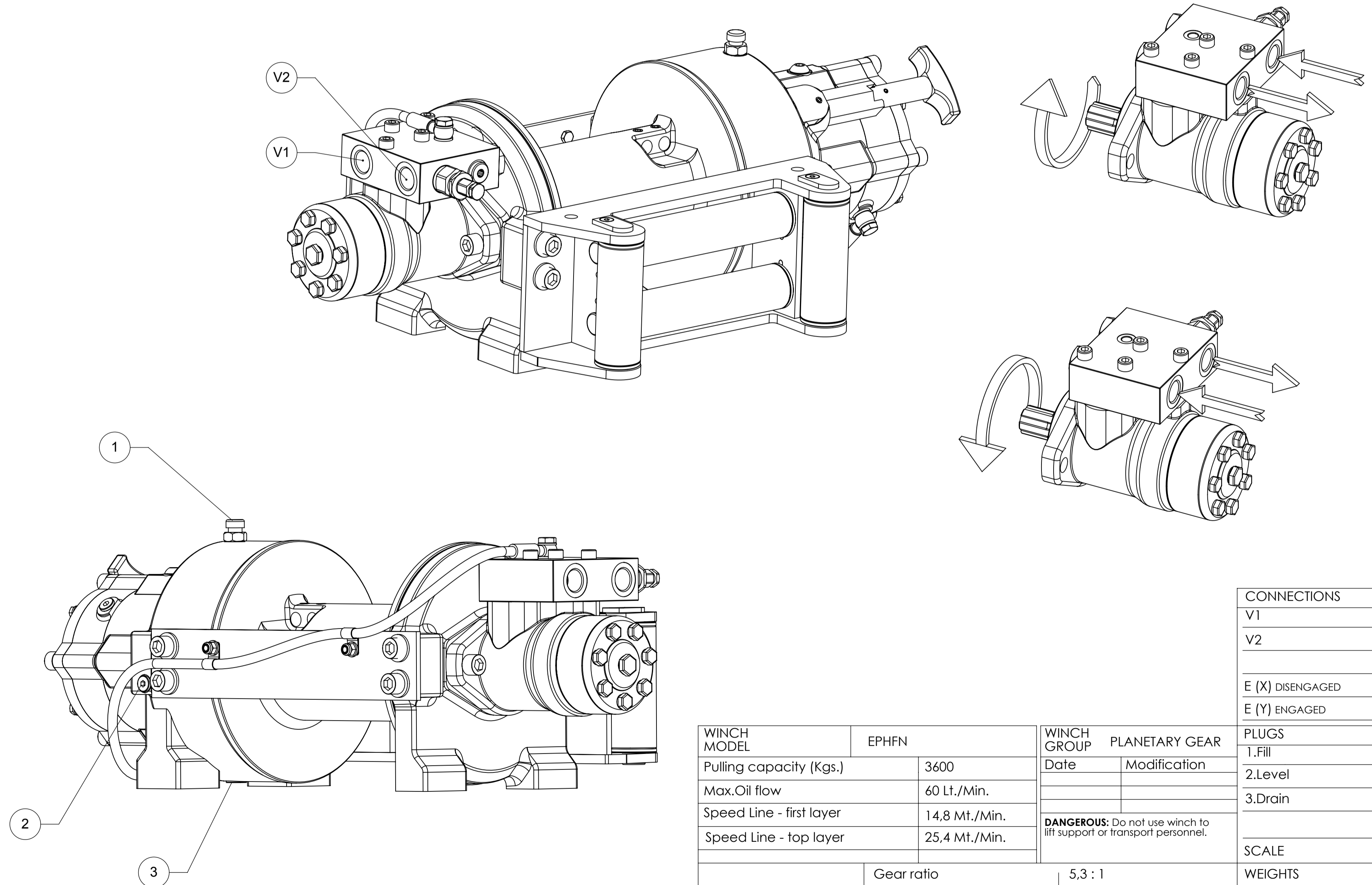
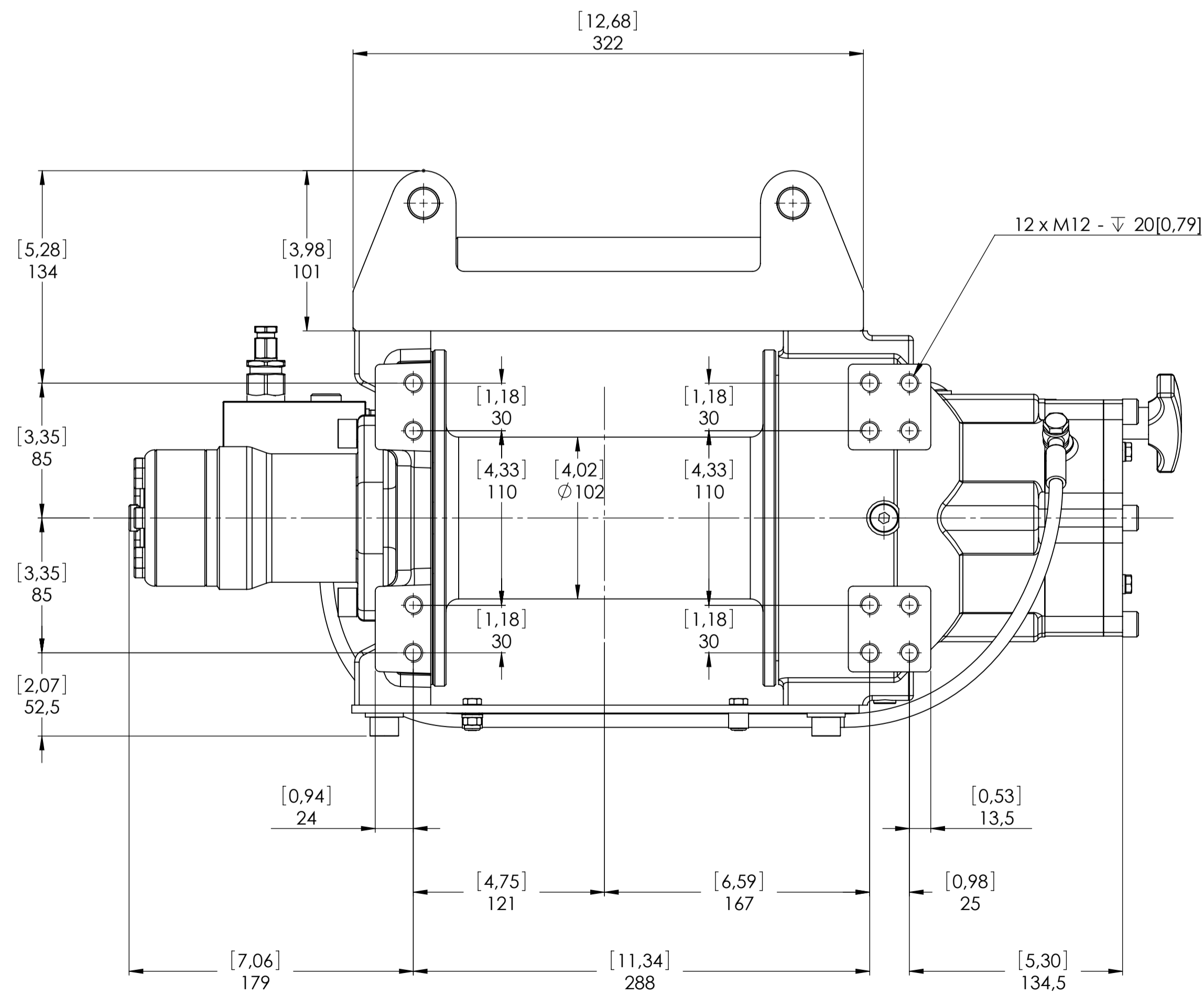
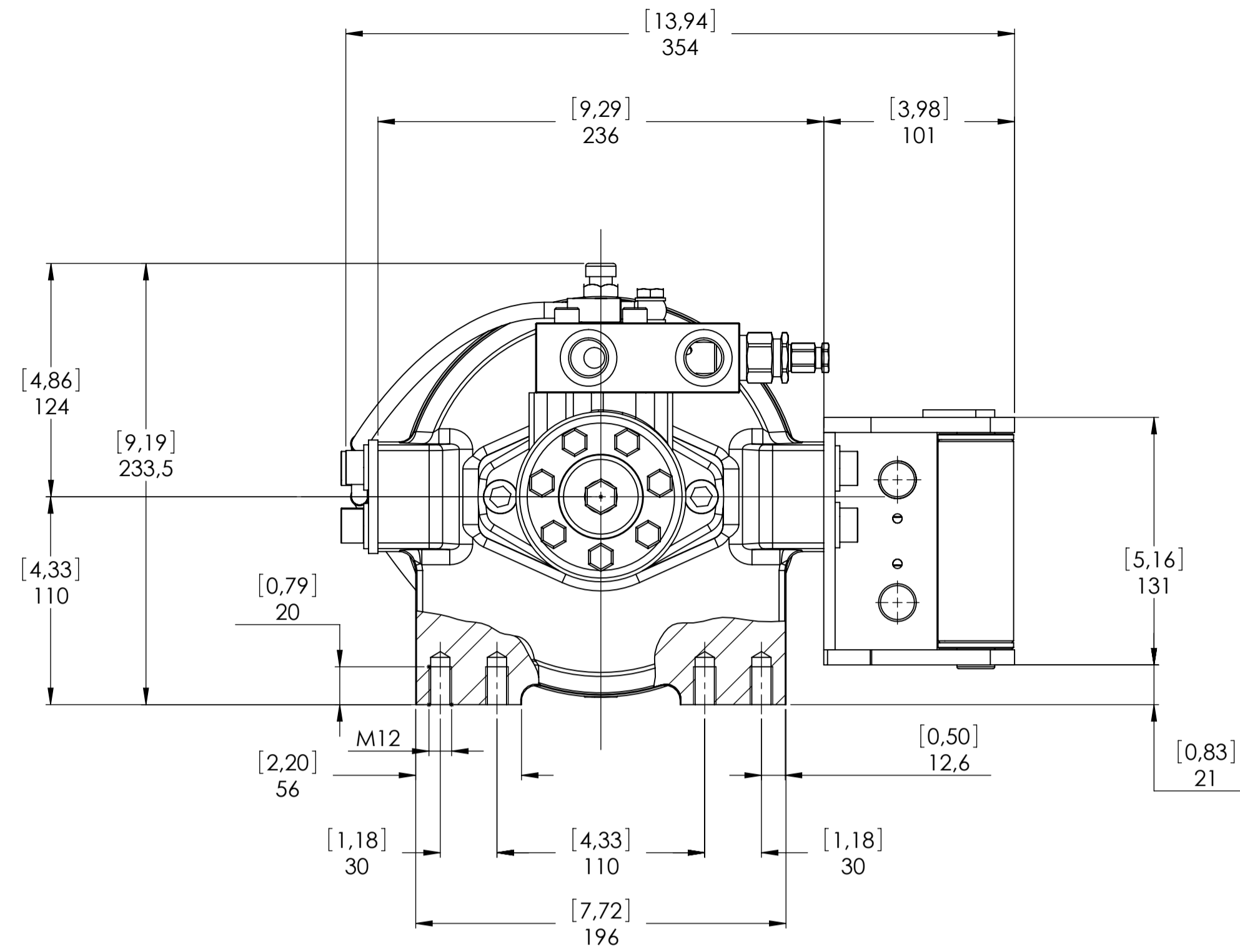
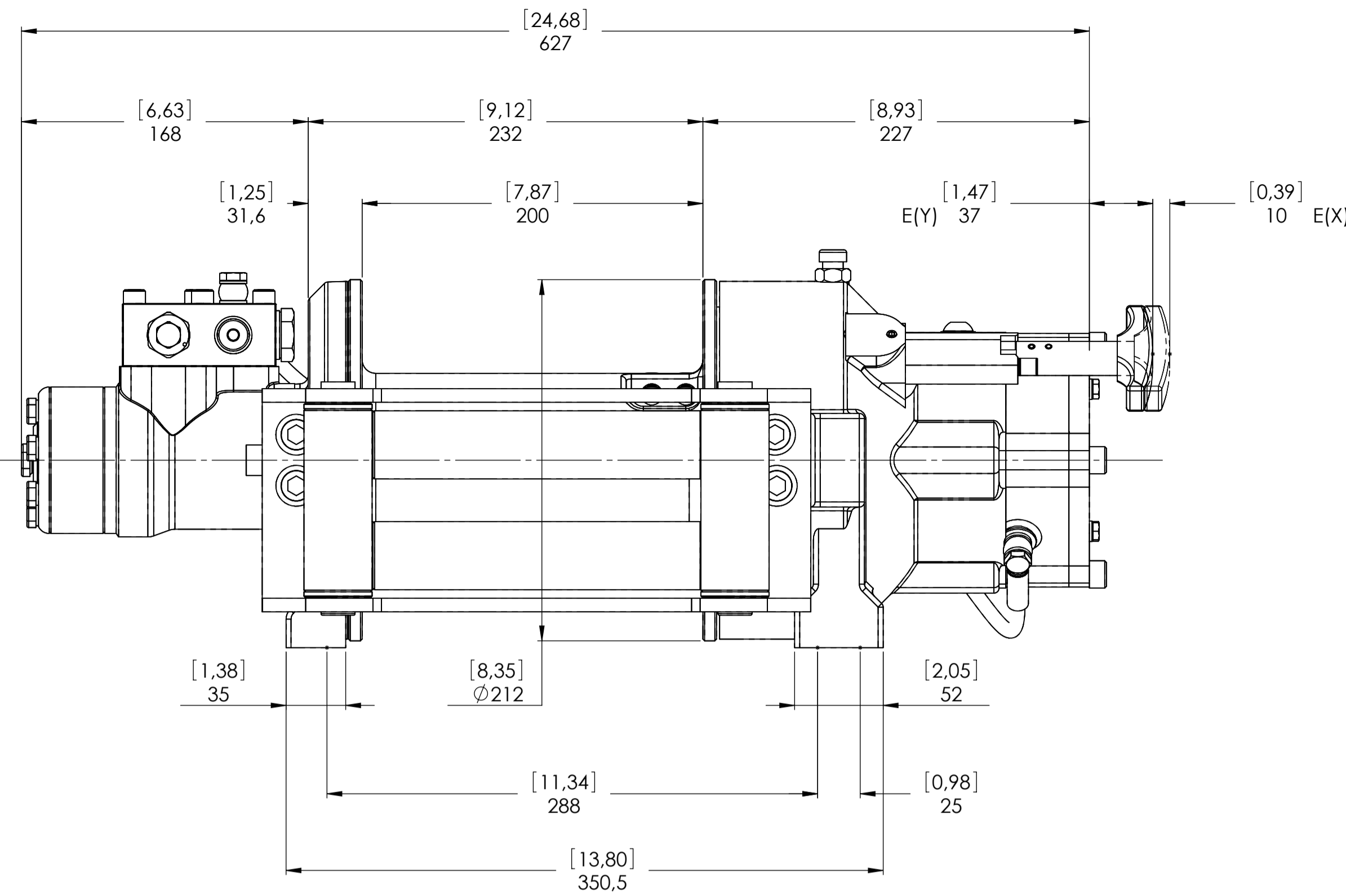
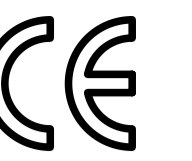


Machinery Directive 2006/42/CE
EN 14492-1

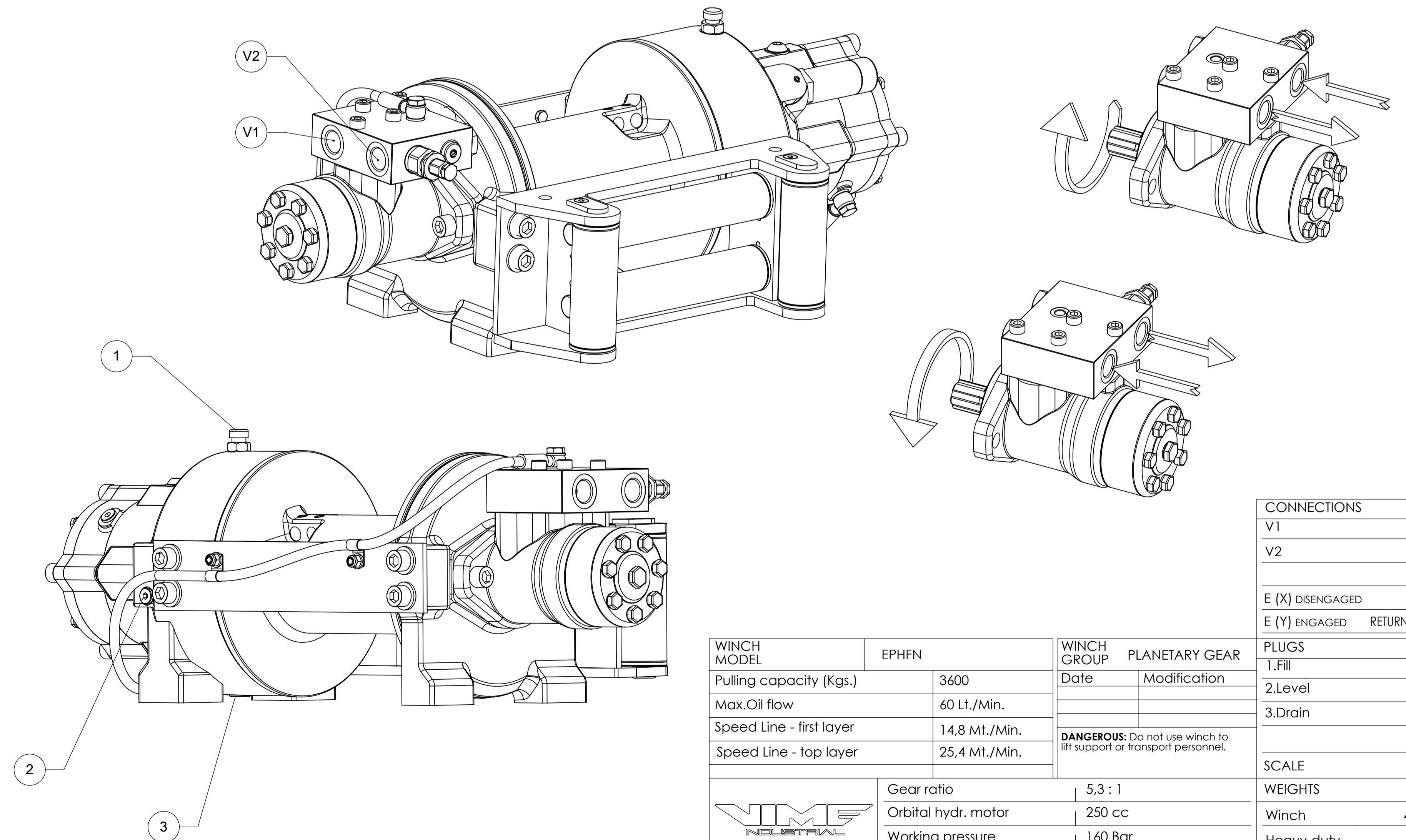
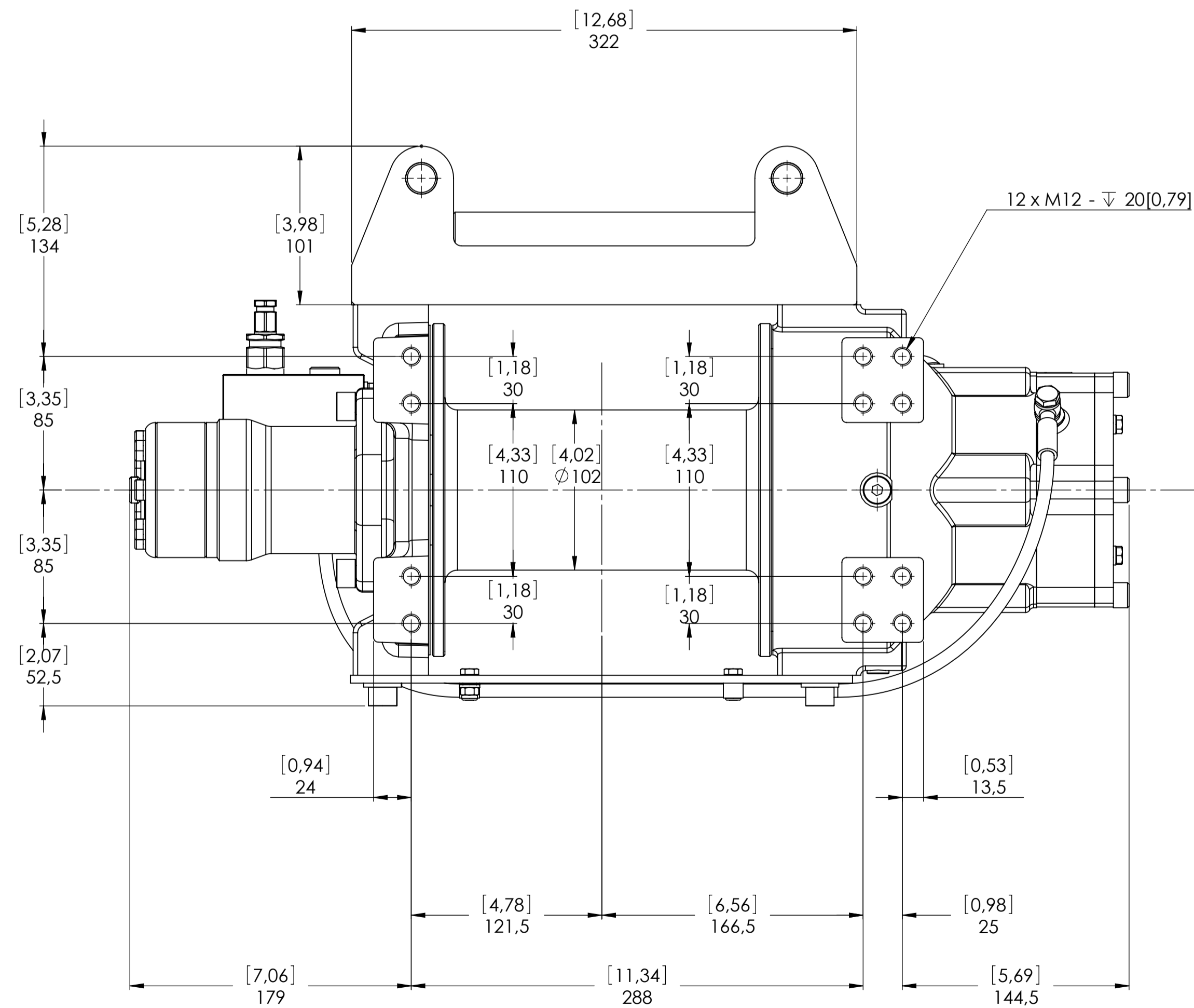
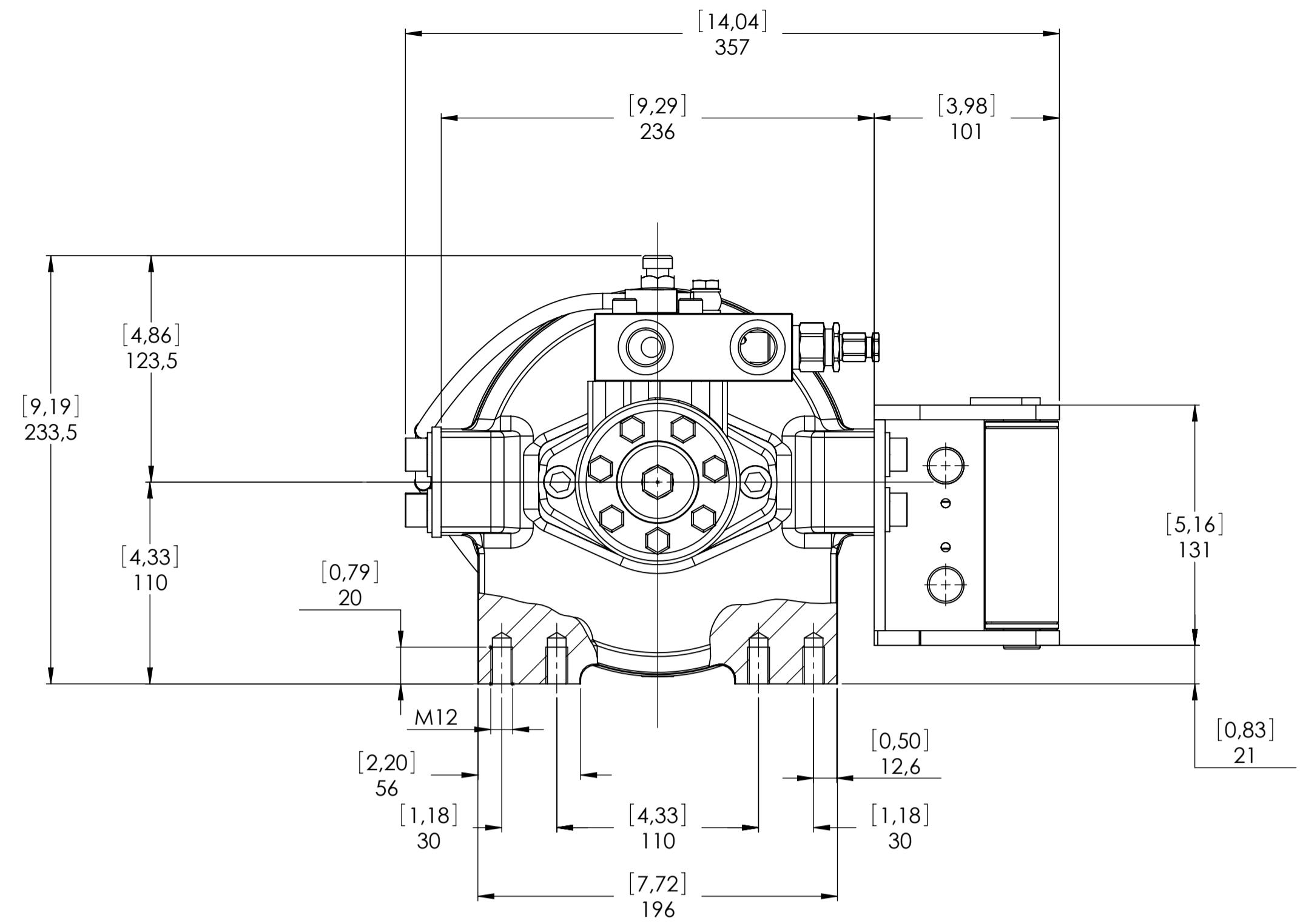
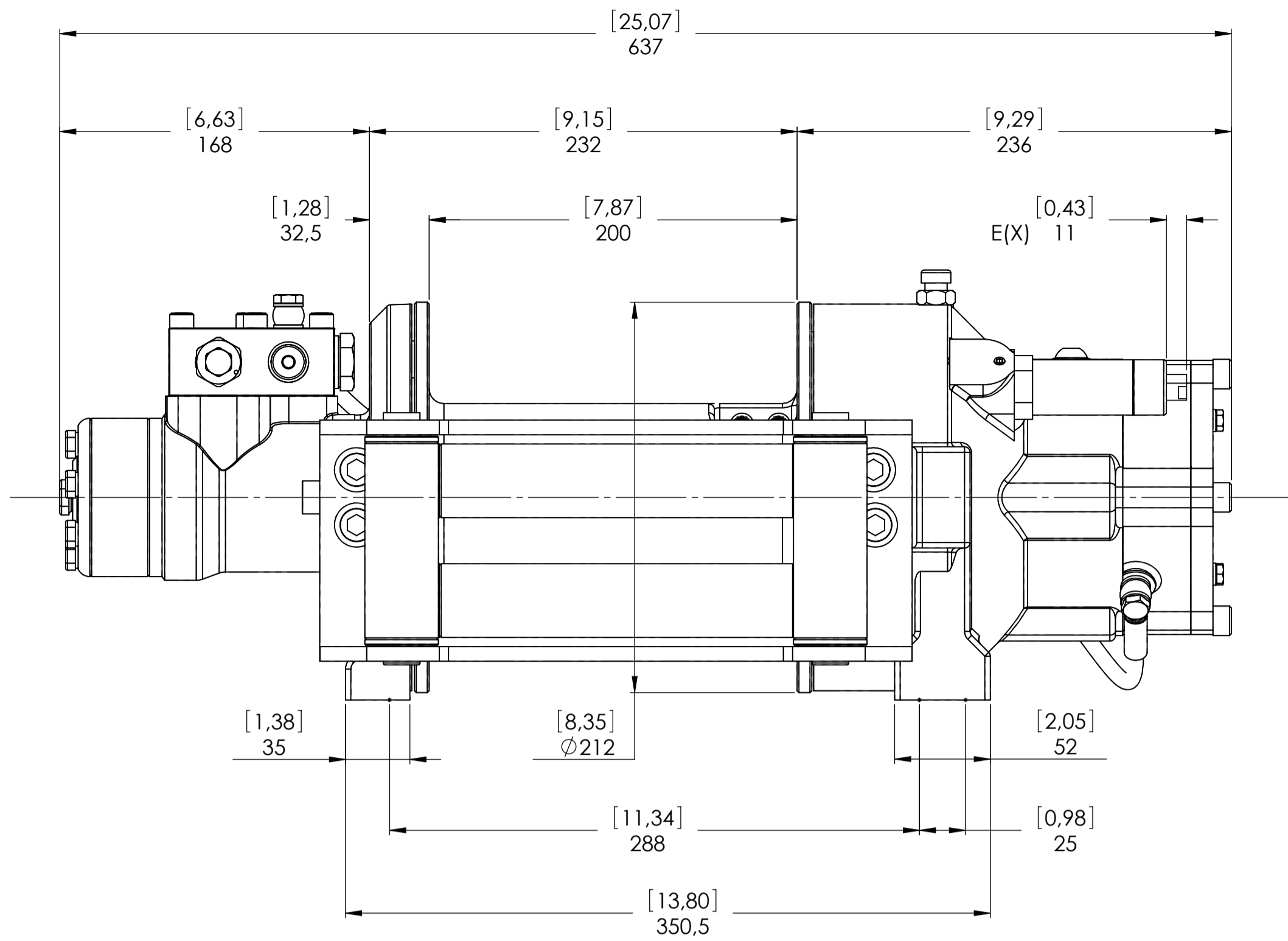


WINCH MODEL	EPHFN	WINCH GROUP	PLANETARY GEAR	PLUGS	
Pulling capacity (Kgs.)	3600	Date	Modification	1.Fill 1/4"G	
Max.Oil flow	60 Lt./Min.	DANGEROUS: Do not use winch to lift support or transport personnel.		2.Level 1/8"G	
Speed Line - first layer	14,8 Mt./Min.			3.Drain 1/4"G	
Speed Line - top layer	25,4 Mt./Min.			SCALE 1: 2.5	
<p>Funo - Bologna (Italy) www.vimeindustrial.com</p>		Gear ratio	5,3 : 1	WEIGHTS	
		Orbital hydr. motor	250 cc	Winch	46 Kgs.
The Quality is Transparent		Working pressure	160 Bar	Heavy-duty	
		Drum size	200	Roller fairlead	8,7 Kgs.
		Drum clutch	Manual	Rope tensioner	1,9 Kgs.
				DATE	23/04/2010
				CODE	EPHFN36D250GV

CONNECTIONS	
V1	1/2"G
V2	1/2"G
E (X) DISENGAGED	-----
E (Y) ENGAGED	-----



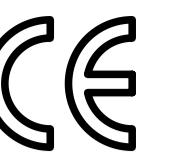
Machinery Directive 2006/42/CE
EN 14492-1



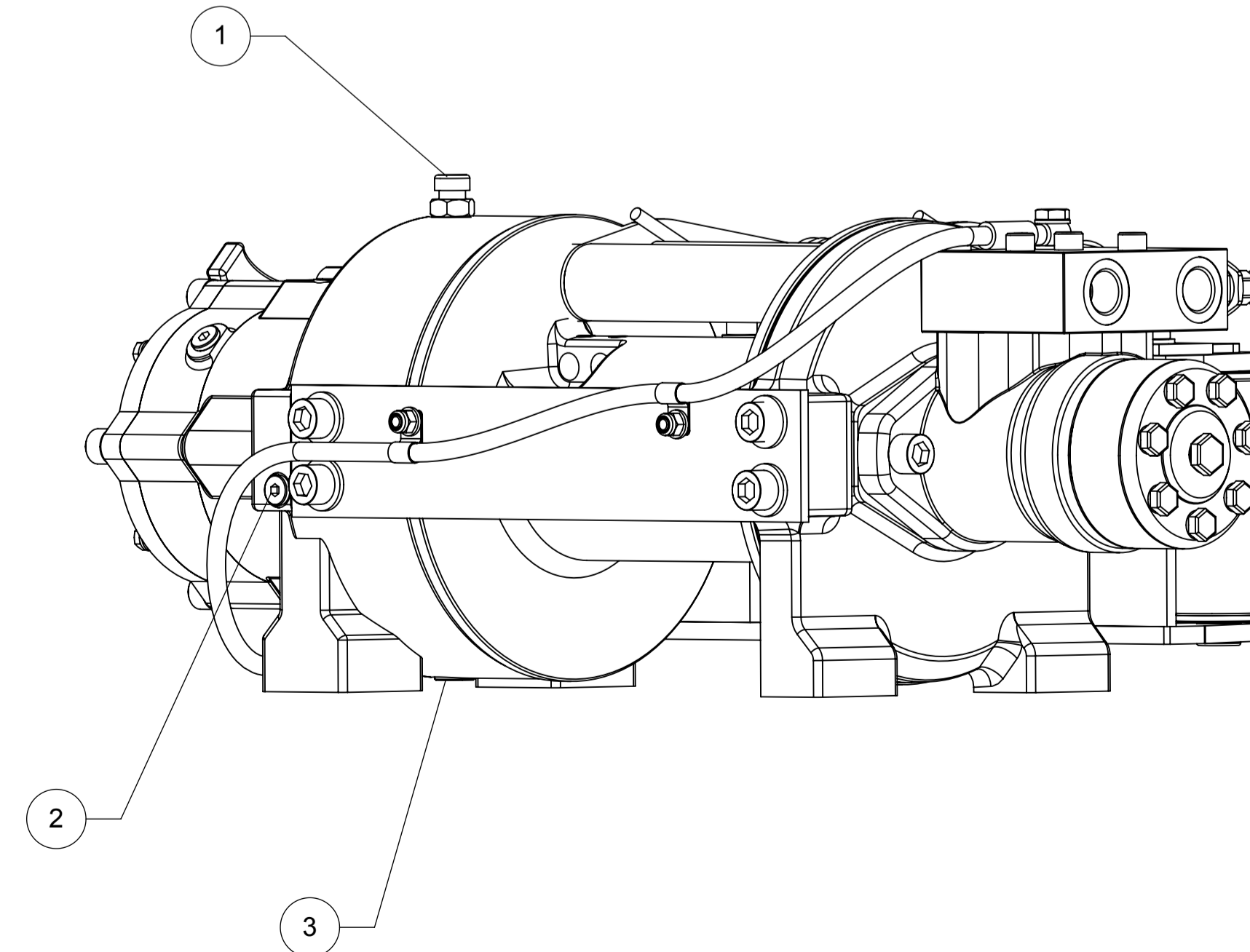
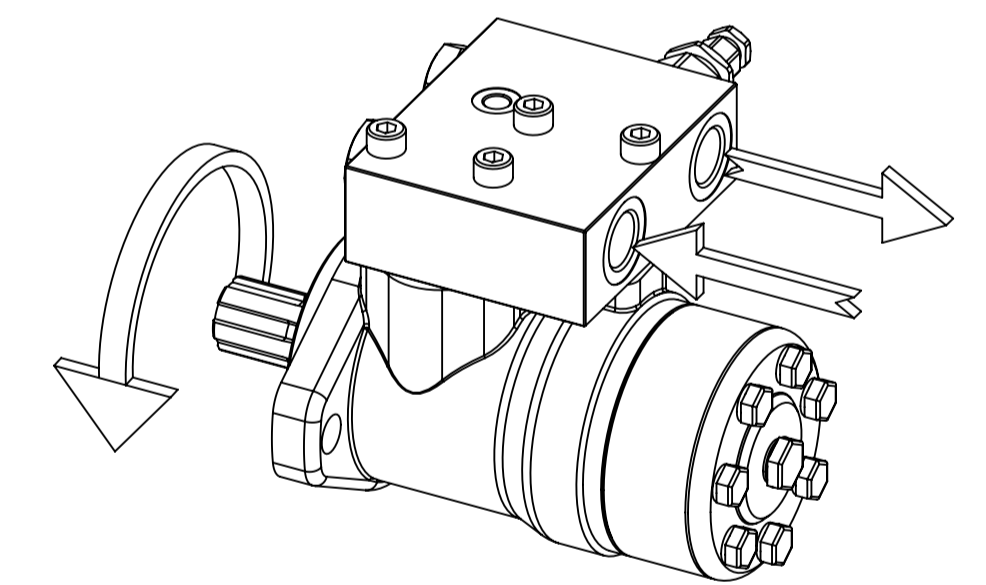
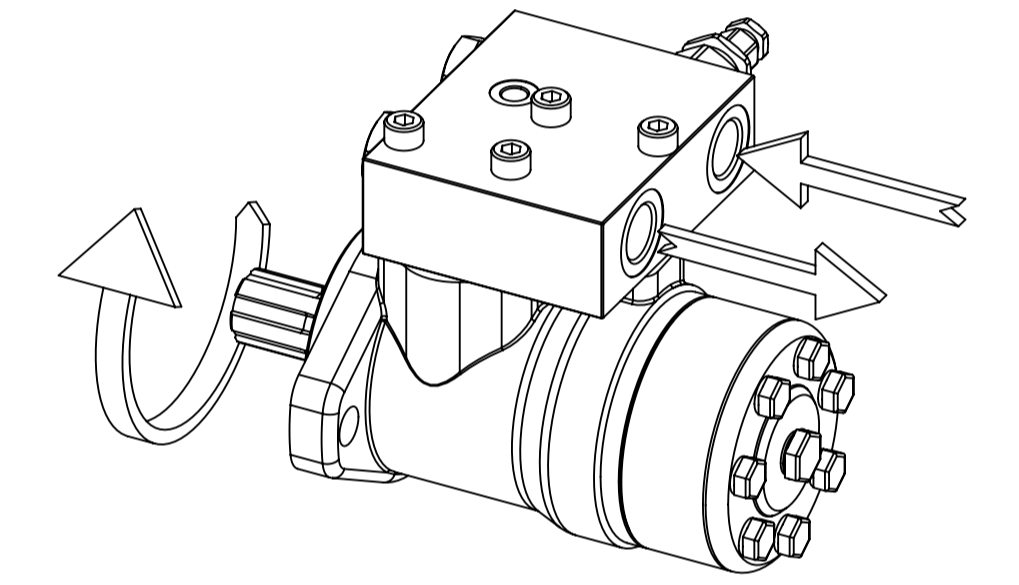
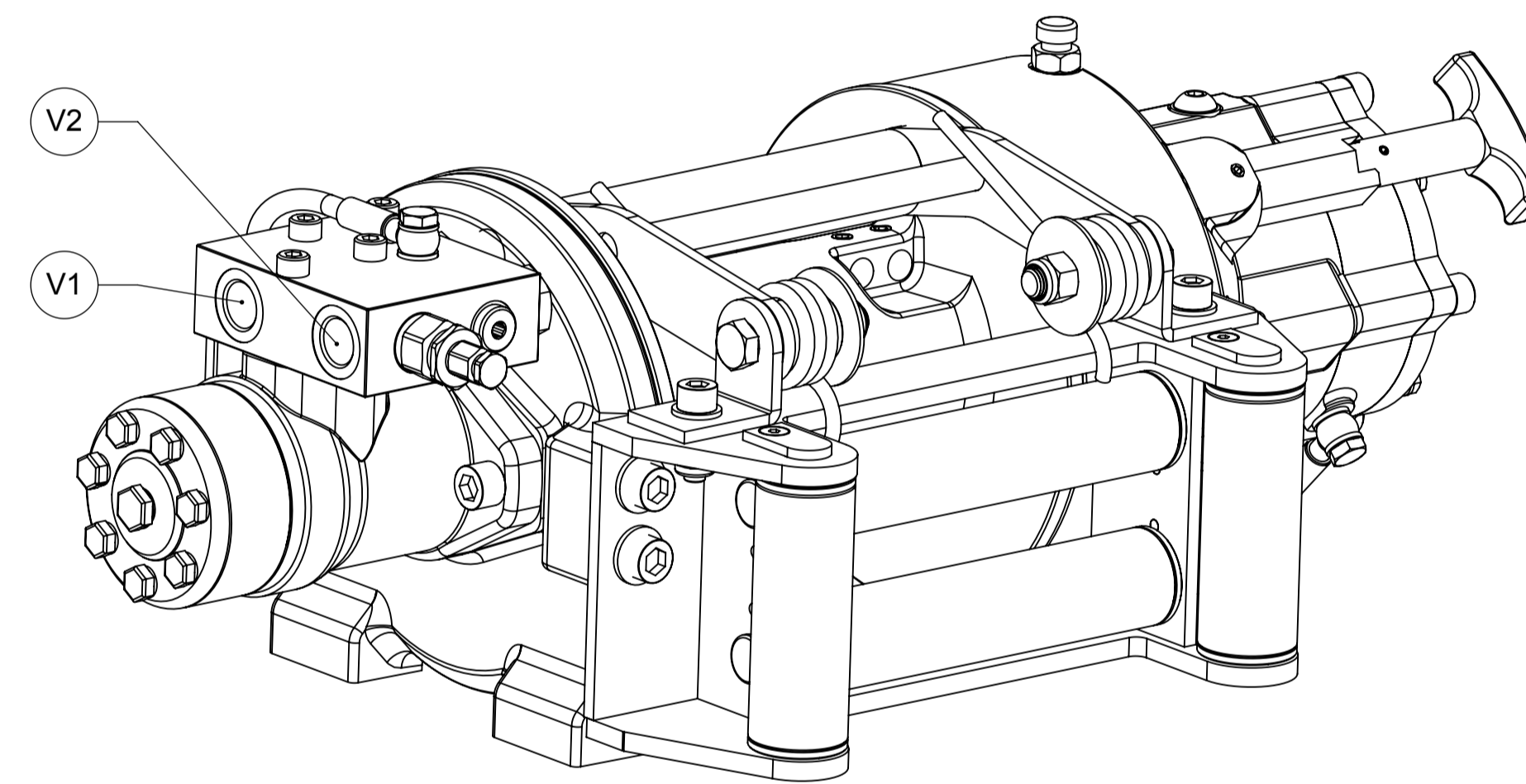
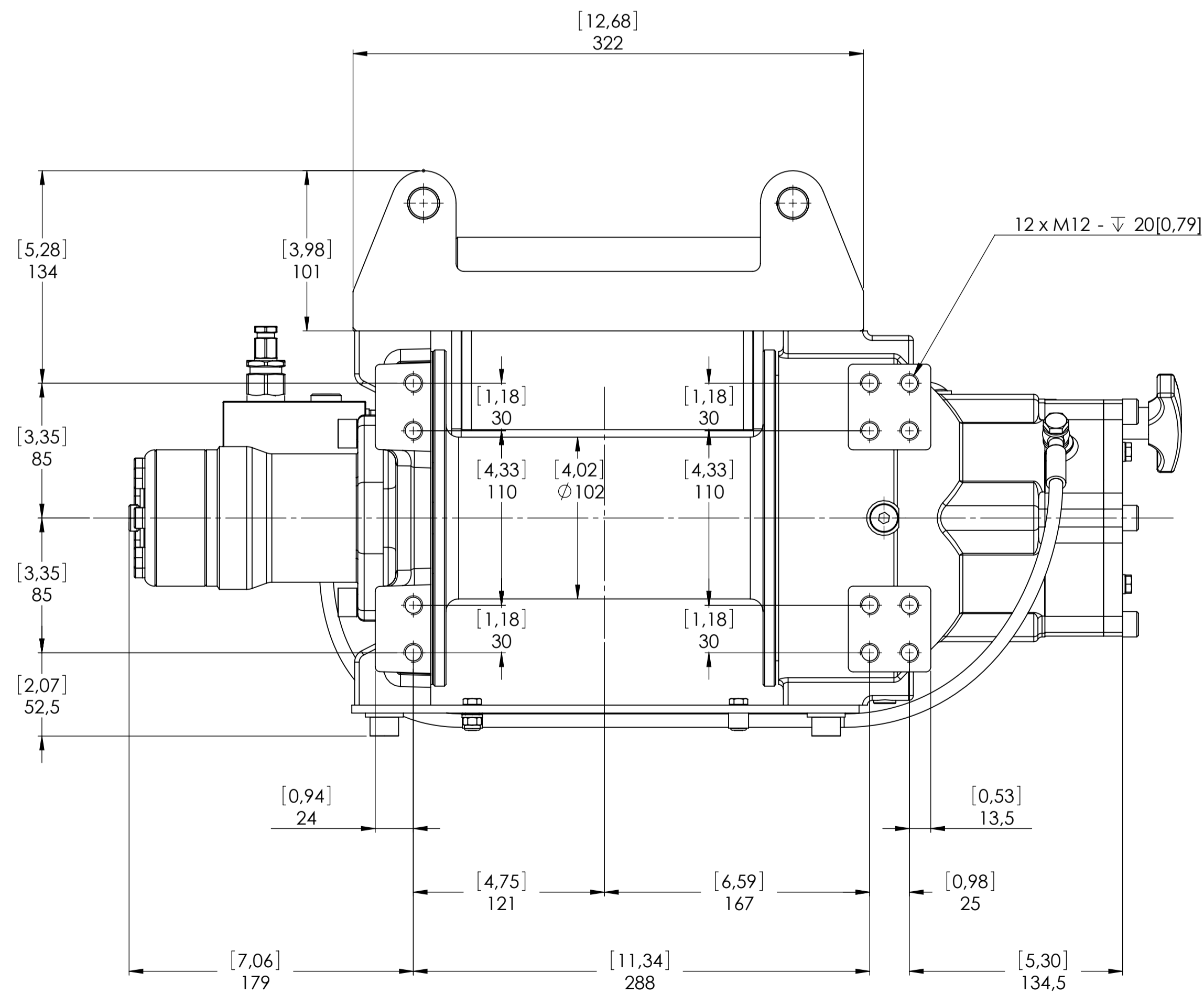
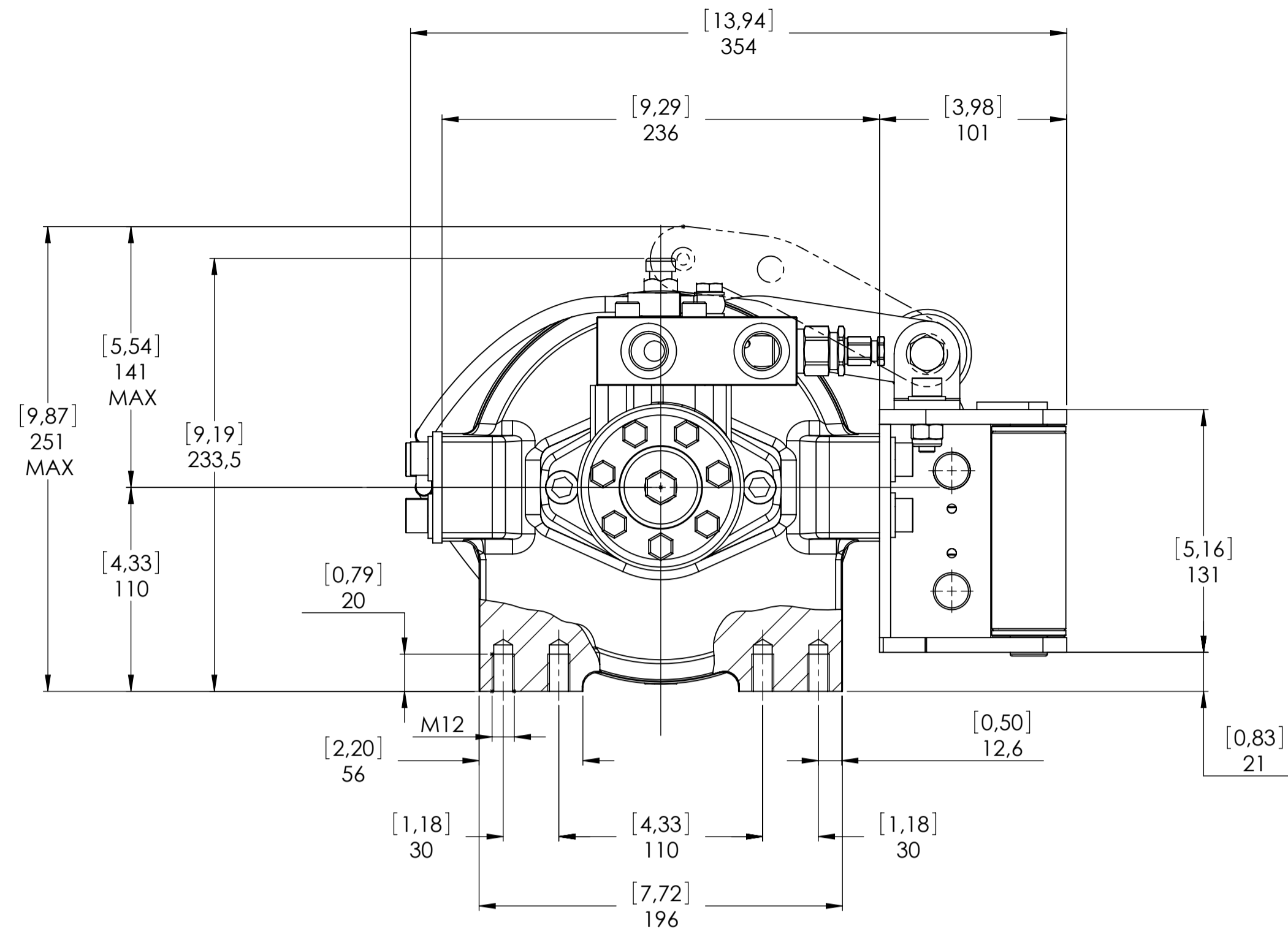
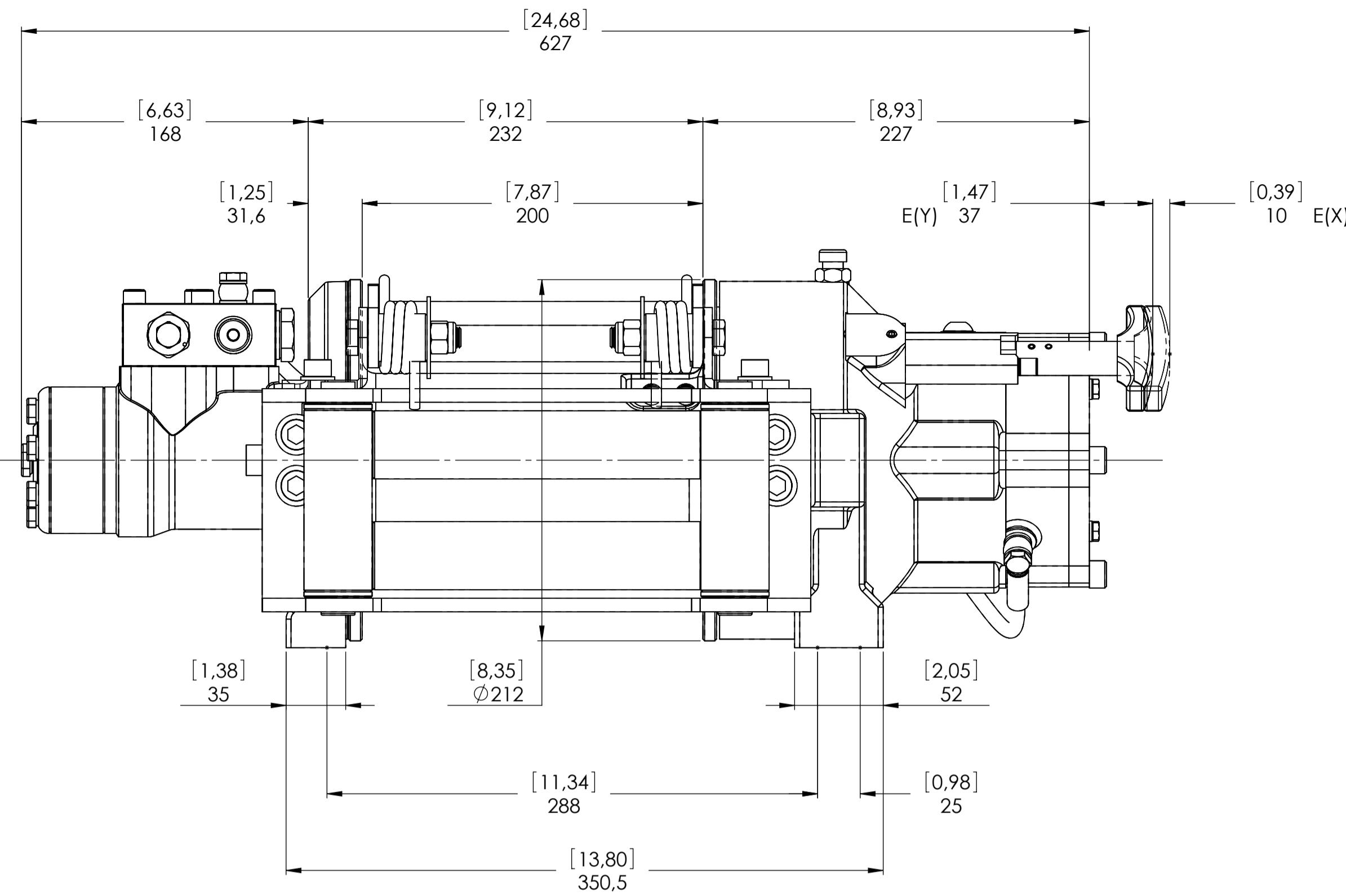
CONNECTIONS	
V1	1/2" G
V2	1/2" G
E (X) DISENGAGED	1/8" G
E (Y) ENGAGED	RETURN SPRING

WINCH MODEL	EPHFN	WINCH GROUP	PLANETARY GEAR	PLUGS
Pulling capacity (Kgs.)	3600	Date	Modification	1.Fill 1/4" G
Max.Oil flow	60 Lt./Min.			2.Level 1/8" G
Speed Line - first layer	14,8 Mt./Min.	DANGEROUS: Do not use winch to lift support or transport personnel.		3.Drain 1/4" G
Speed Line - top layer	25,4 Mt./Min.			
Gear ratio				5,3 : 1
Orbital hydr. motor				250 cc
Working pressure				160 Bar
Drum size				200 mm
Drum clutch				Air-operated
The Quality is Transparent				DATE 23/04/2010

SCALE	
SCALE	1 : 2,5
WEIGHTS	
Winch	46 Kgs.
Heavy-duty Roller fairlead	8,7 Kgs.
Rope tensioner	1,9 Kgs.
CODE	EPHFN36D250AGV

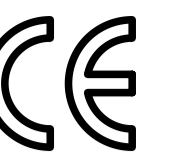


Machinery Directive 2006/42/CE
EN 14492-1

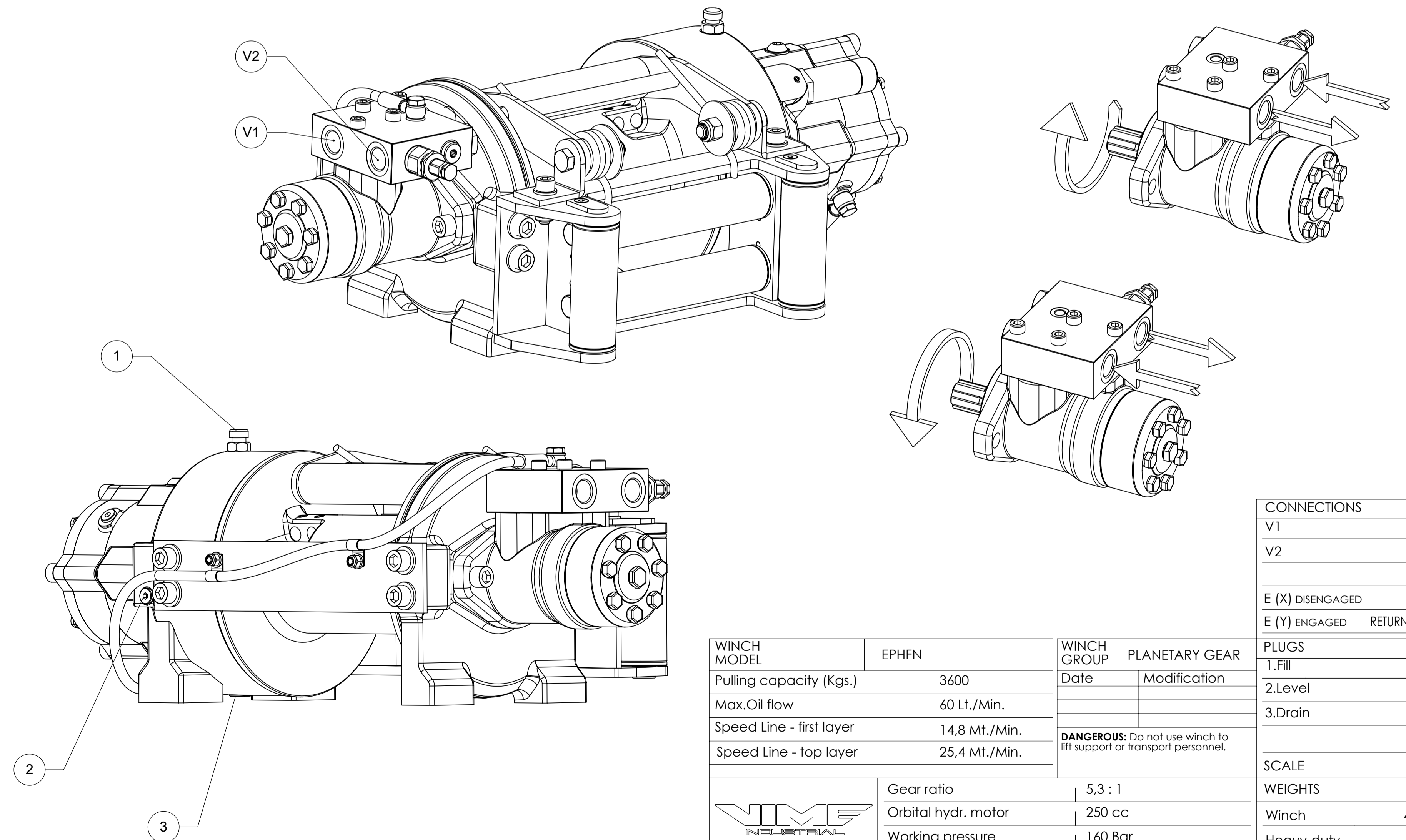
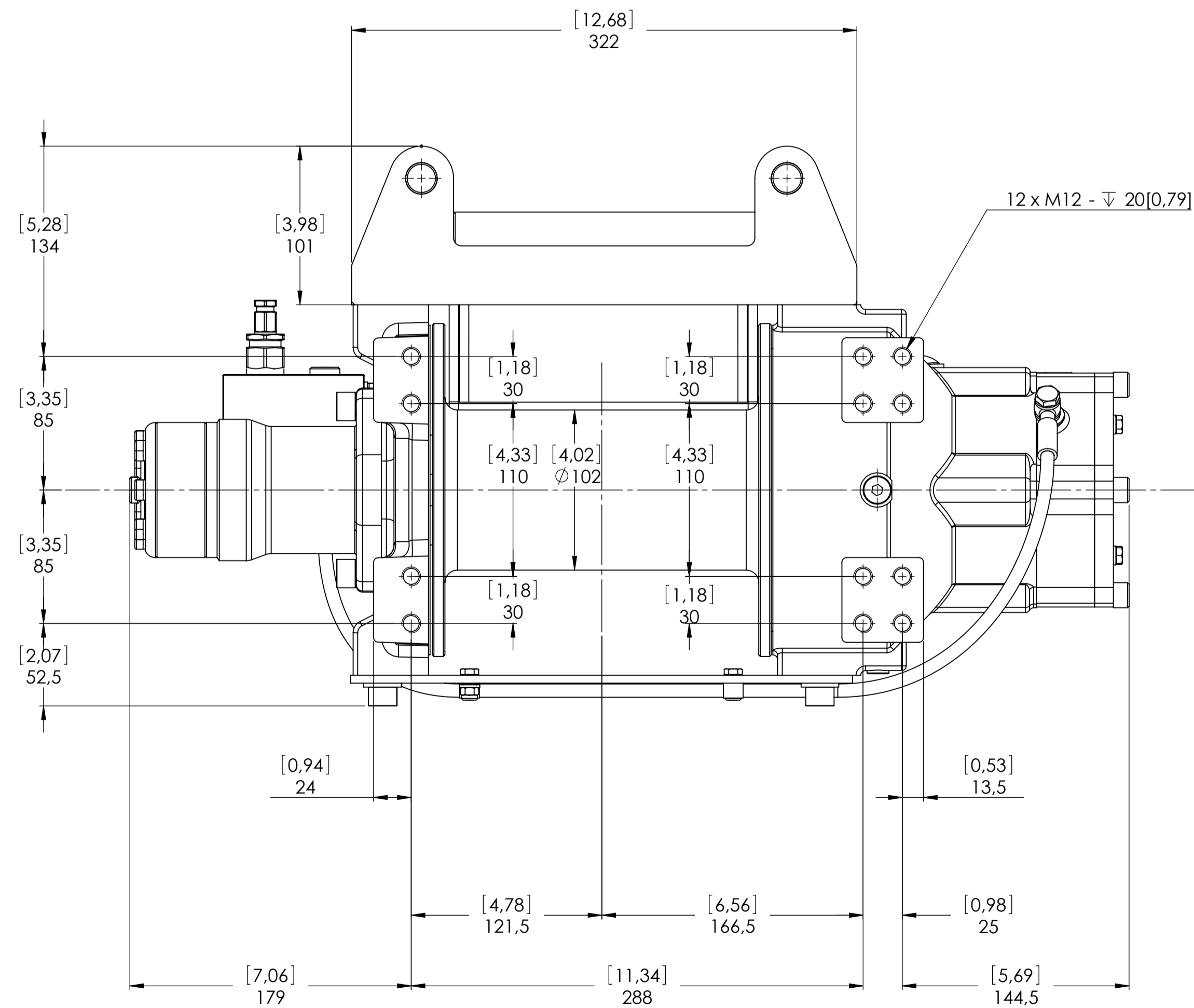
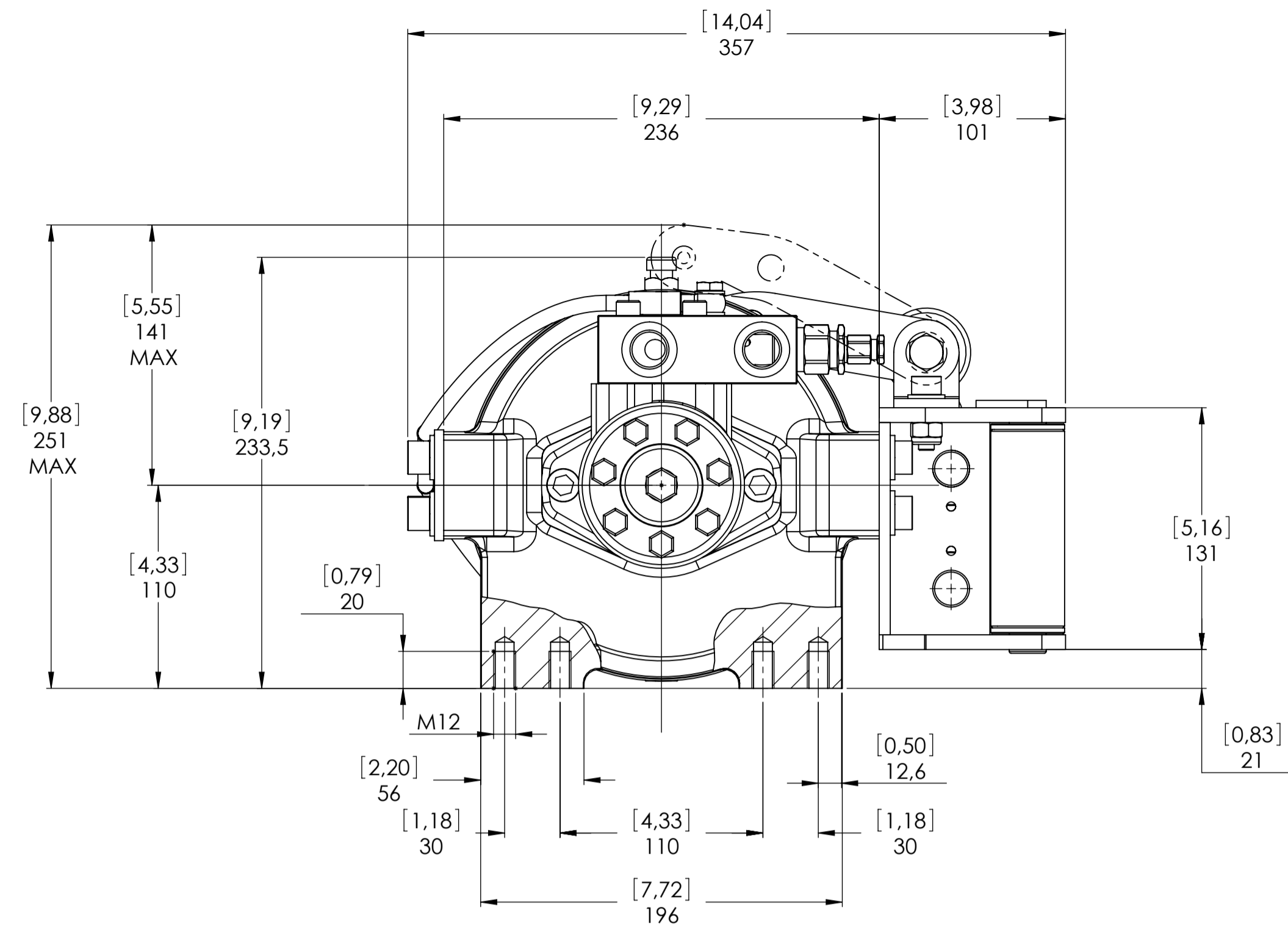
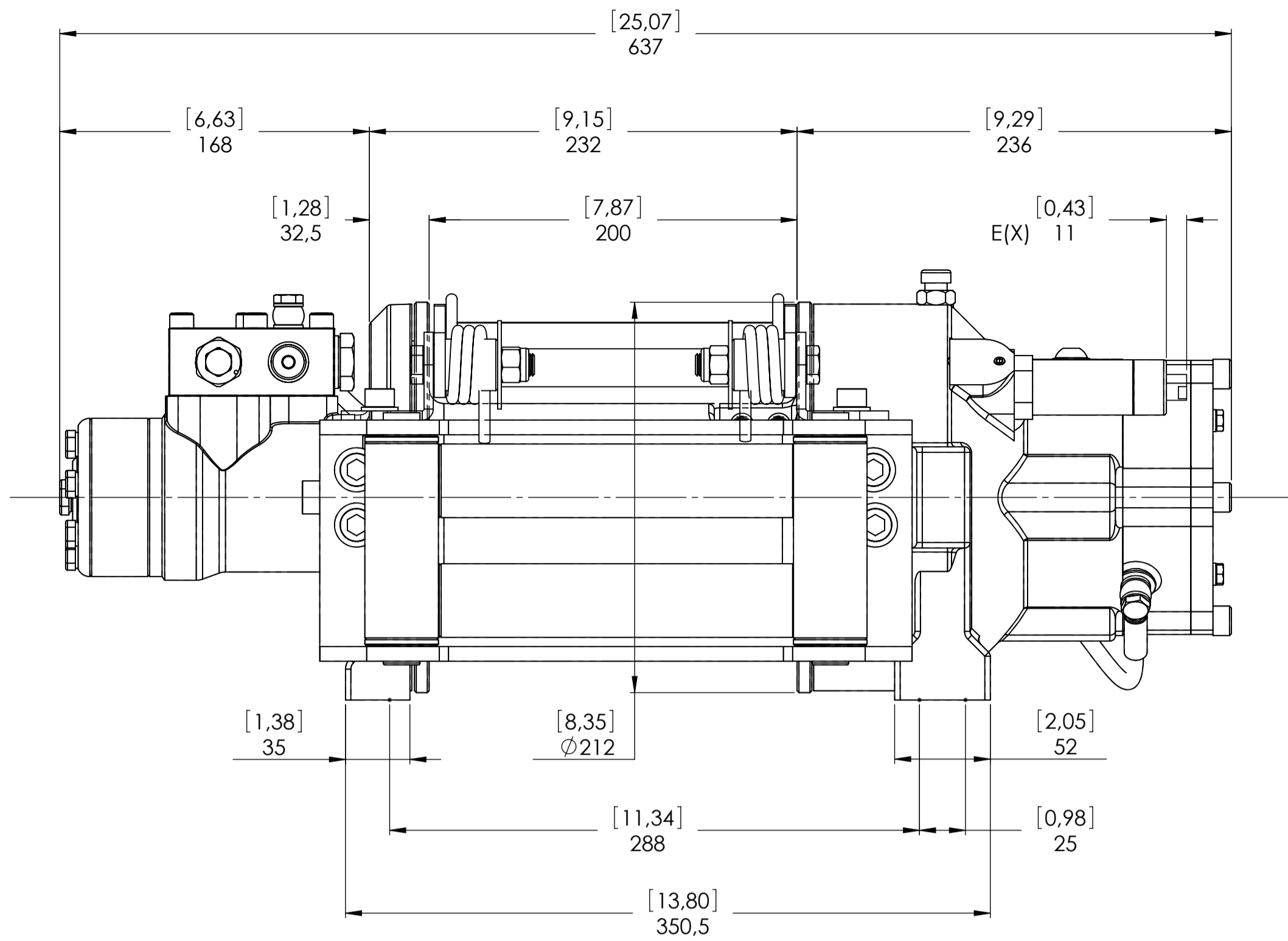


WINCH MODEL	EPHFN	WINCH GROUP	PLANETARY GEAR	PLUGS
Pulling capacity (Kgs.)	3600	Date	Modification	1.Fill 1/4"G
Max.Oil flow	60 Lt./Min.	DANGEROUS: Do not use winch to lift support or transport personnel.		2.Level 1/8"G
Speed Line - first layer	14,8 Mt./Min.			3.Drain 1/4"G
Speed Line - top layer	25,4 Mt./Min.			SCALE 1: 2.5
		Gear ratio	5,3 : 1	WEIGHTS
Funo - Bologna (Italy) www.vimeindustrial.com		Orbital hydr. motor	250 cc	Winch 46 Kgs.
The Quality is Transparent		Working pressure	160 Bar	Heavy-duty Roller fairlead 8,7 Kgs.
		Drum size	200	Rope tensioner 1,9 Kgs.
		Drum clutch	Manual	CODE EPHFN36D250GPV
		VIME Industrial reserves the right to improve its products through changes in designed or materials as it may seem desirable without notice.		DATE 23/04/2010

CONNECTIONS	
V1	1/2"G
V2	1/2"G
E (X) DISENGAGED	-----
E (Y) ENGAGED	-----



Machinery Directive 2006/42/CE
EN 14492-1



CONNECTIONS	
V1	1/2" G
V2	1/2" G
E (X) DISENGAGED	1/8" G
E (Y) ENGAGED	RETURN SPRING

WINCH MODEL	EPHFN	WINCH GROUP	PLANETARY GEAR	PLUGS
Pulling capacity (Kgs.)	3600	Date	Modification	1.Fill 1/4" G
Max.Oil flow	60 Lt./Min.			2.Level 1/8" G
Speed Line - first layer	14,8 Mt./Min.			3.Drain 1/4" G
Speed Line - top layer	25,4 Mt./Min.	DANGEROUS: Do not use winch to lift support or transport personnel.		
				SCALE 1: 2.5
				WEIGHTS
				Winch 46 Kgs.
				Heavy-duty Roller fairlead 8,7 Kgs.
				Rope tensioner 1,9 Kgs.
				CODE EPHFN36D250AGPV
				DATE 23/04/2010



Funo - Bologna (Italy)
www.vimeindustrial.com

The Quality is Transparent

Gear ratio	5,3 : 1
Orbital hydr. motor	250 cc
Working pressure	160 Bar
Drum size	200 mm
Drum clutch	Air-operated

VIME Industrial reserves the right to improve its products through changes in designed or materials as it may seem desirable without notice

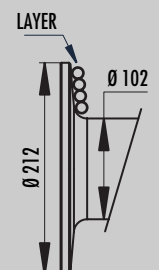
1.4.3 EPH 3600 FN WINCH TECHNICAL DATA

RATIO	WIRE ROPE SIZE [MM]	LAYER	LINE PULL [KG]
5,3:1	10*	1	3.600
		2	3.055
		3	2.653
		4	2.344
		5	2.100

OIL SUPPLY [LT/MIN]	DRUM REVOLUTION [RPM]	LINE SPEED [MT/MIN]				
		1	2	3	4	5
40	28,1	9,9	11,6	13,4	15,2	16,9
50	35,1	12,3	14,5	16,8	19,0	21,2
60	42,1	14,8	17,5	20,1	22,7	25,4

WIRE ROPE MINIMUM BREAKING LOAD EN 14492-1 [KG]	7.200
-------------------------------------------------	-------

DRUM EPH 3600 FN = 200 MM



LAYER	DRUM DIAMETER		WIRE ROPE ON LAYER		WIRE ROPE QUANTITY	
	Ø MM		[MT]		[MT]	
	10 MM	00 MM	10 MM	00 MM	10 MM	00 MM
6	212	-	12,7	-	58,1	-
5	192	-	11,5	-	45,4	-
4	172	-	10,3	-	33,9	-
3	152	-	9,1	-	23,6	-
2	132	-	7,9	-	14,6	-
1	112	-	6,7	-	6,7	-
0	102	-	-	-	-	-

WIRE ROPE CAPACITY [MT]		MAX. WIRE ROPE CAPACITY EN 14492-1 [MT]		MAX. WIRE ROPE CAPACITY [MT]	
10 MM	00 MM	10 MM	00 MM	10 MM	00 MM
25	00	33**	00	58	00

DESCRIPTION	WEIGHTS
	KGS.
WINCH (WITHOUT CABLE)	46
ACCESSORY : ROLLERFAILREAD	8,7
ACCESSORY : CABLE TENSIONER	1,9

NOTES

Specifications are subject to change without notification and without incurring obligation. Specifications in this publication are theoretical and may vary depending on hydraulic system, environment, etc.

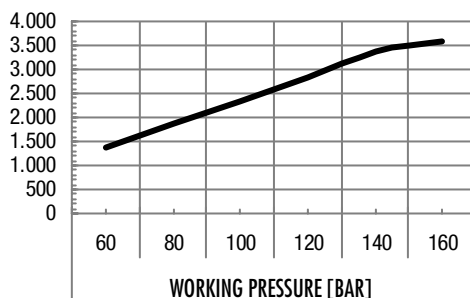
NOTES

*Wire rope size must be respected. Recommended wire rope min. tensile strength 2160 N/mm².
Wire rope minimum breaking load must be at least double of winch max. pulling capacity.

** Max. wire rope capacity according with EN 14492-1.

1.4.4 EPH 3600 FN WINCH PERFORMANCE CHARTS AT THE 1ST LAYER

LINE PULL-FIRST LAYER [KG]



LINE SPEED [M/MIN]

