

**TECHNICAL DATA**

Body Type	Line mount
Interface	None
Body Features	Ninety degree with gauge port
Mounting Hole Diameter	8.6 mm
Mounting Hole Depth	Through
Mounting Hole Quantity	2
Open Cavities	1
Cavity	T-11A
Port Size	1/2" BSPP
Model Weight	0.31 kg.

**NOTES** *Important:* Carefully consider the maximum system pressure. The pressure rating of the manifold is dependent on the manifold material, with the port type/size a secondary consideration. Manifolds constructed of aluminum are not rated for pressures higher than 3000 psi (210 bar), regardless of the port type/size specified.

**PORT DESIGNATORS**

Modifiers	Ports
EFV, /10, /11, /S, /S3	Ports 1 & 2: 1/2" BSPP; Port 3: 1/4" BSPP; Gage Port: 1/4" BSPP;

**CONFIGURATION OPTIONS**

**Model Code Example: EFV**

**MODIFIER**

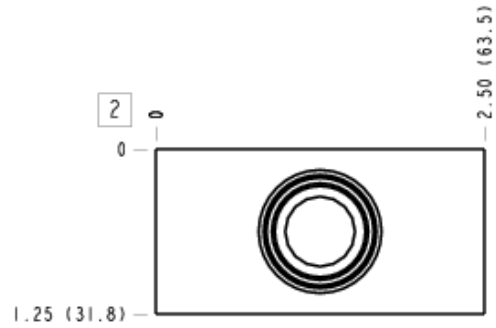
- 6061-T651 Aluminum, Buna-N**
- /11 6061-T651 Aluminum, Buna-N, Clear Anodize - Per MIL SPEC 8625F Type II, Class I
- /10 6061-T651 Aluminum, Buna-N, Black Anodize - Per MIL SPEC 8625F Type II, Class II
- /S 65-45-12 Ductile Iron, Buna-N, Dewatering Oil
- /S4 65-45-12 Ductile Iron, Buna-N, Chem. Black
- /S3 65-45-12 Ductile Iron, Buna-N, Trivalent Clear Zinc with Top Sealer

**MANIFOLD FACES**

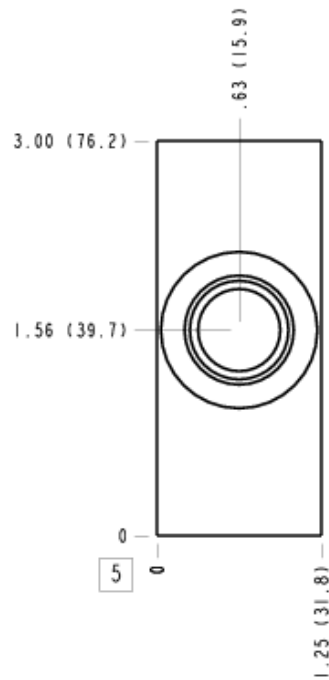
**FACE GRID**

1	2	3	4
5	6	7	8
9	10	11	12

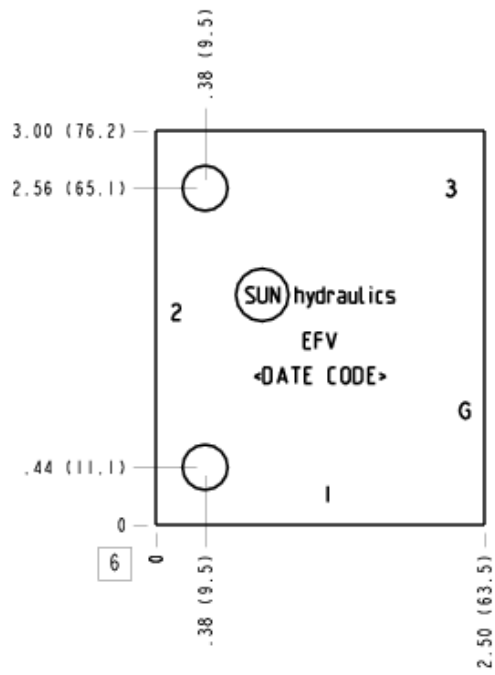
### Face 2



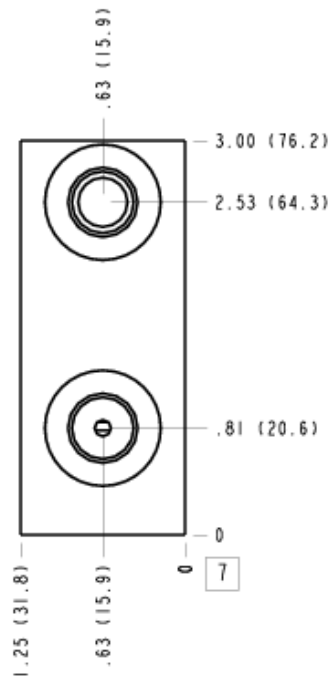
### Face 5



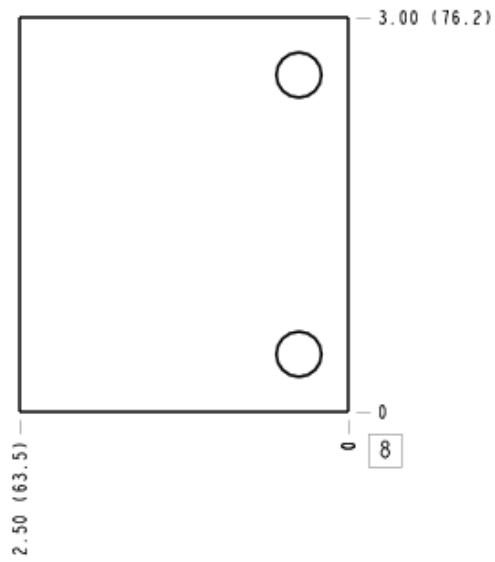
### Face 6



### Face 7



### Face 8



### Face 10

