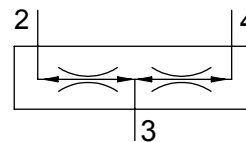


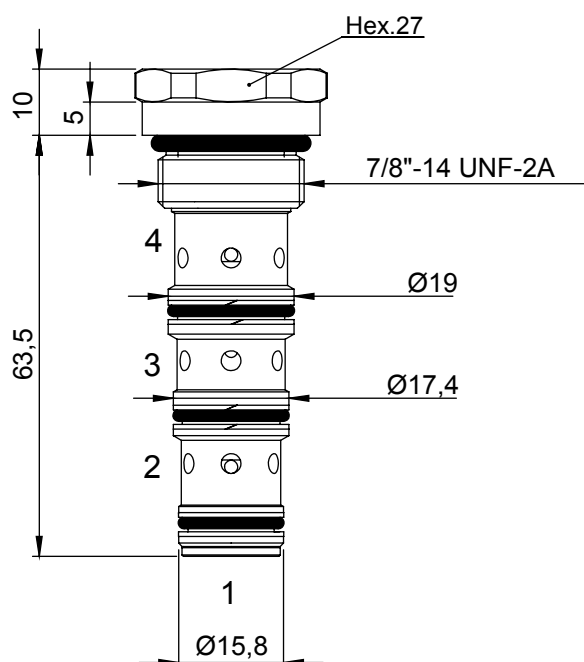
FLOW DIVIDER AND COMBINER VALVE

- Flow.....**40 l/min**
- Max working pressure.....**350 bar**
- Rapporto di divisione.....**50% ÷ 50%**
- Cavity.....**C430000**
- Tollerance.....**< +/-5%**
- Seals.....**NBR**
- Cartridge tightening torque.....**40 Nm**
- Weight.....**0,15 Kg**



Note:

- PATENDED FLOW DIVIDER AND COMBINER VALVE



Ordering code

0 8 2 3 0 **0 0 0 0**

SETTING RANGE	0	1	2	3
Qmin ÷ Qmax l/min	20 ÷ 40	2 ÷ 6	5 ÷ 12	12 ÷ 30

