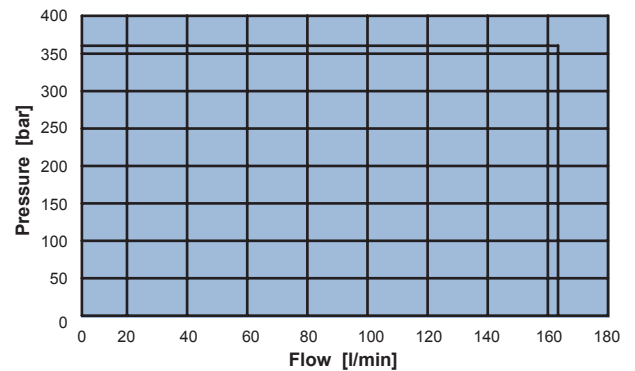
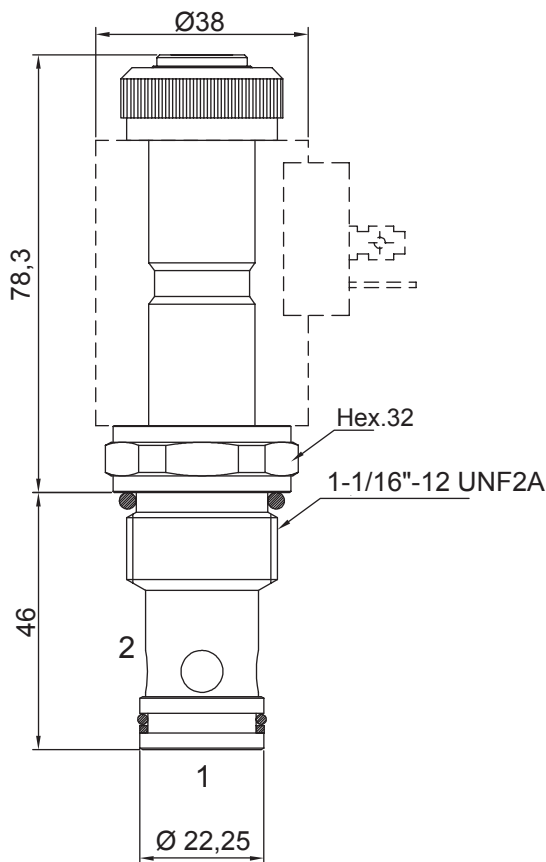
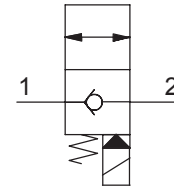
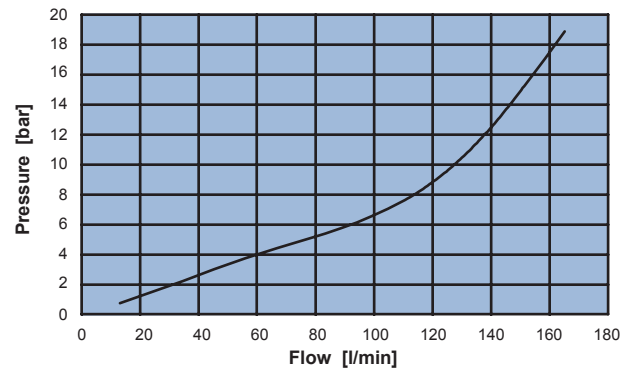


**2 WAY 2 POSITION ELECTRIC POPPET VALVE, PILOT OPERATED NC**

- Flow ..... **150 l/min**
- Max working pressure ..... **350 bar**
- Leakage ..... **0,25 cc/min**
- Seals ..... **NBR and PTFE**
- Cartridge tightening torque ..... **50 Nm**
- Ring nut tightening torque ..... **5 Nm**
- Weight (with coil) ..... **0,58 Kg**
- Cavity ..... **C240000** page 213
- Body ..... **171402** page 196
- Coil (to be ordered separately) ..... **09801** page 181



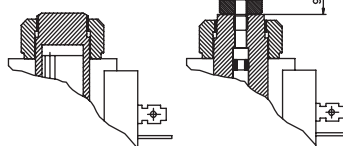
Application limits from 2 to 1 and 1 to 2



Pressure drop from 2 to 1 and from 1 to 2

**Ordering code**

**0 5 6 4 1 0 0 [ ] 0 0**



**No emergency    Unscrew type**