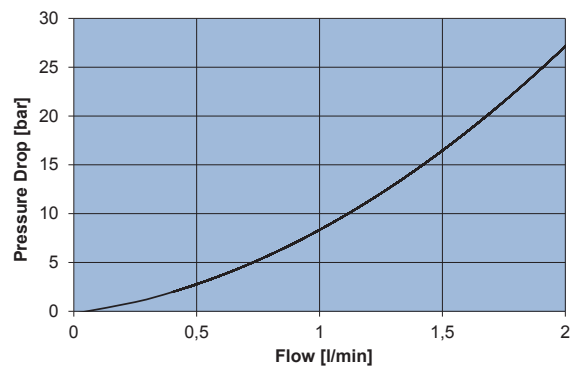
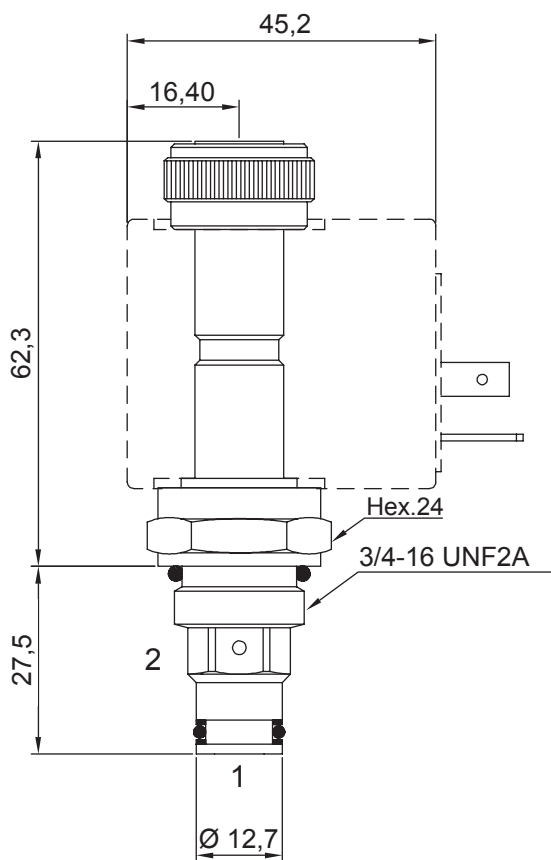
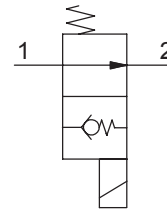


2 WAY 2 POSITION ELECTRIC VALVE, DIRECT ACTING NO

- Flow **2 l/min**
- Max working pressure in 1. **350 bar**
- Max working pressure in 2. **20 bar**
- Leakage..... **0,25 cc/min**
- Seals **NBR and PTFE**
- Cartridge tightening torque..... **30 Nm**
- Ring nut tightening torque..... **5 Nm**
- Weight (with coil)..... **0,32 Kg**
- Cavity **C220000** page **208**
- Body..... **171202** page **186**
- Coil (to be ordered separately)..... **09400** page **179**



Note:
- Check valve cracking pressure (1→2) > 350 bar.

Ordering code

0 5 3 2 0 1 0 [] 0 0

