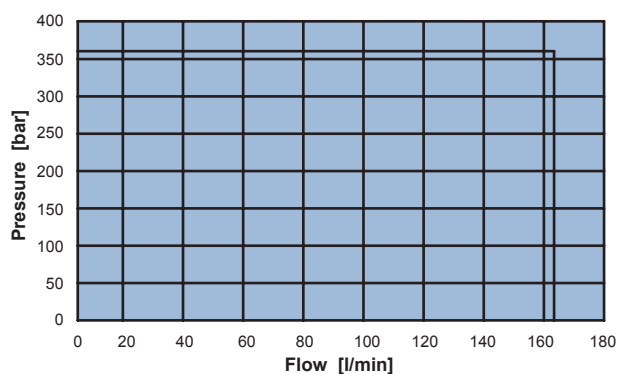
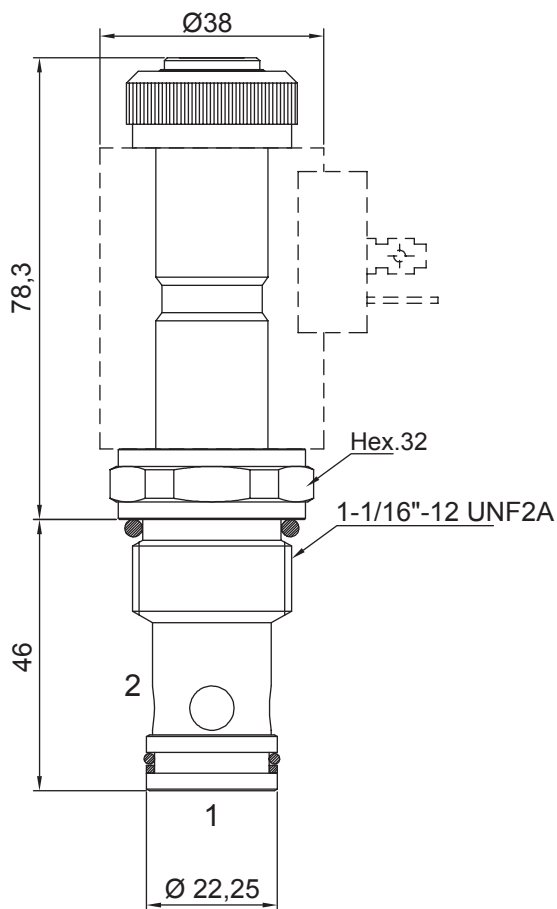
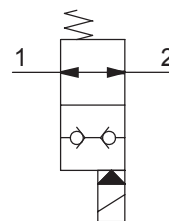
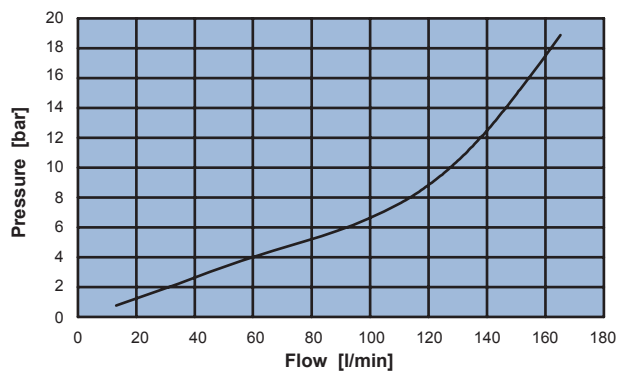


2 WAY 2 POSITION ELECTRIC POPPET VALVE, PILOT OPERATED NO

- Flow **150 l/min**
- Max working pressure **350 bar**
- Leakage **0,25 cc/min**
- Seals **NBR and PTFE**
- Cavity **C240000**
- Cartridge tightening torque **50 Nm**
- Ring nut tightening torque **5 Nm**
- Weight (with coil) **0,58 Kg**
- Cavity **C240000** page **213**
- Body **171402** page **196**
- Coil (to be ordered separately) **09801** page **181**



Application limits from 2 to 1 and 1 to 2



Pressure drop from 2 to 1 and from 1 to 2

Ordering code

0 5 1 4 0 0 0 0 0

