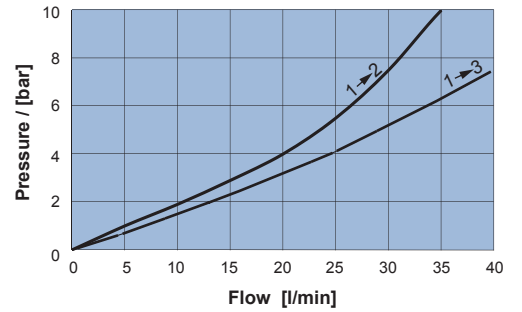
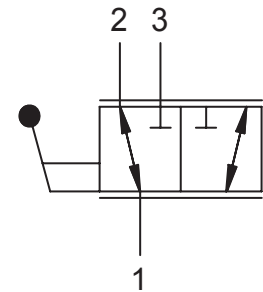
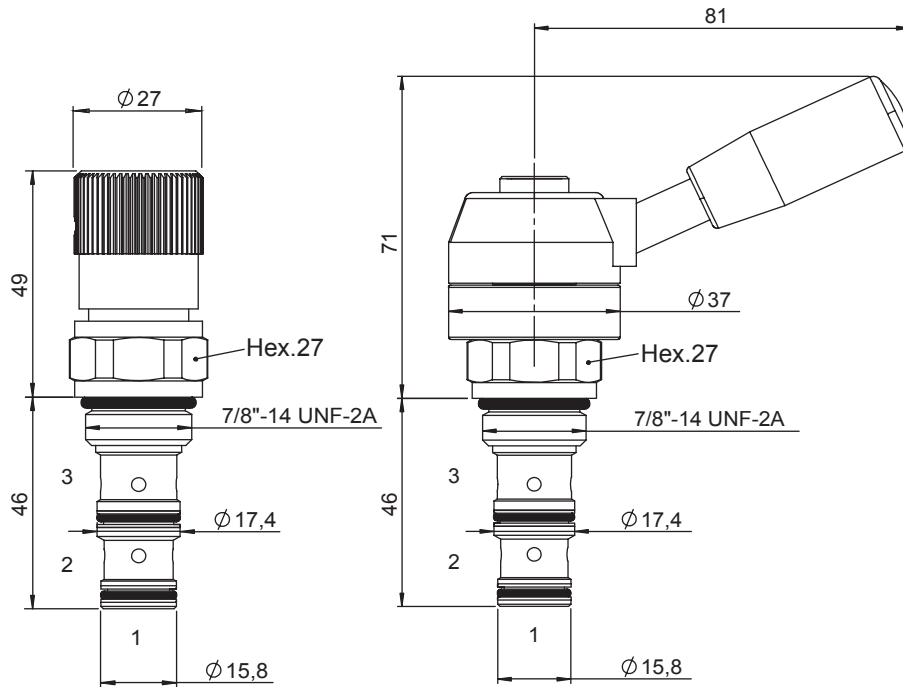


3 WAY 2 POSITION ROTARY SPOOL DIRECTIONAL VALVE

- Max Flow. **30 l/min**
- Max Pressure. **350 bar**
- Seals **NBR and PTFE**
- Cartridge tightening torque. **50 Nm**
- Weight **0,2 Kg**
- Cavity **C330000** page 220
- Body. **171312** page 192



Notes:

- Valve regulation angle is 45° starting lever position can be set through CH6 nut.

Ordering code

0 4 9 3 2 0 0 [] 0 0

