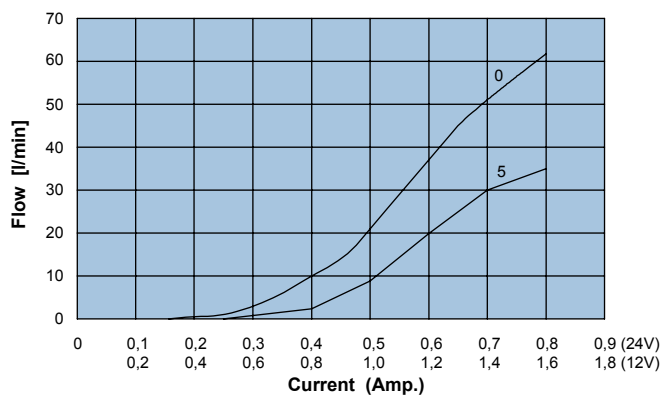
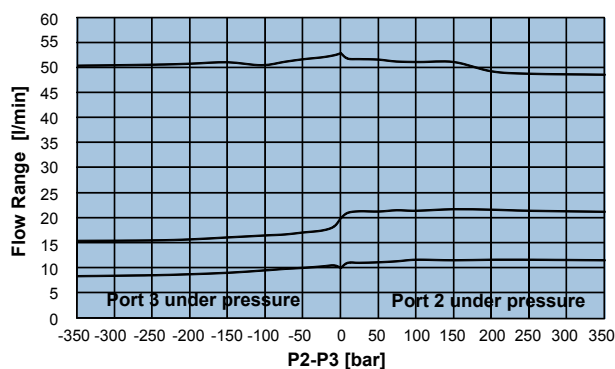
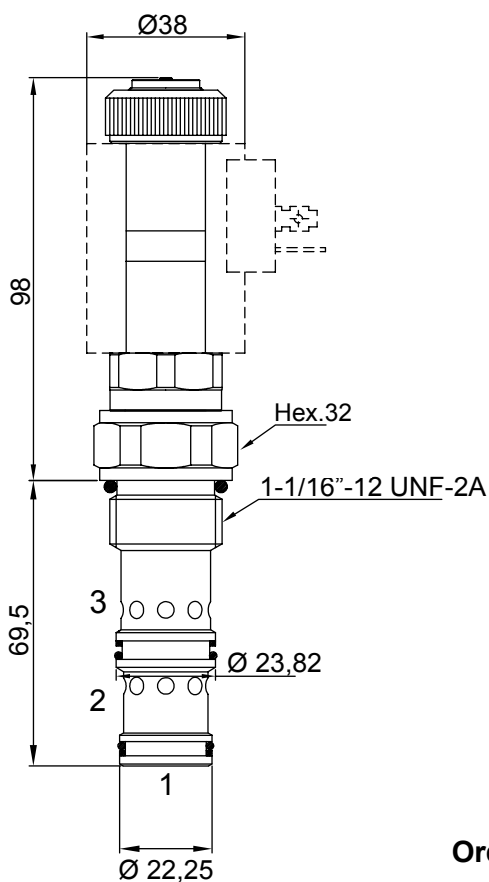
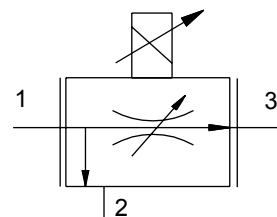


3 WAYS PROPORTIONAL FLOW CONTROL VALVE

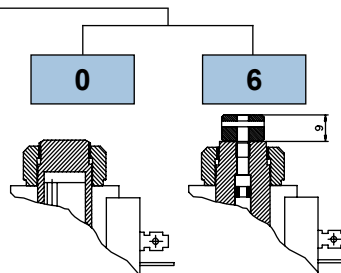
- Max flow range in 1 **80 l/min**
- Max working pressure in 1:2:3 **250 bar**
- Leakage **150 cc/min**
- Seals **NBR**
- Cavity **C340000**
- Cartridge tightening torque **50 Nm**
- Ring nut tightening torque **5 Nm**
- Weight (with coil) **0,7 Kg**
- PWM **120 Hz**
- Hysteresis **5%**
- Max current at 24 Vcc **900mA**
- Max current at 12 Vcc **1800mA**
- Coil **CT-9800** to be ordered separately



Ordering code

0 3 6 4 1 **0** **0 1**

SETTING RANGE	0	5
FLOW RANGE	50 l/min	35 l/min



No emergency Unscrew type

