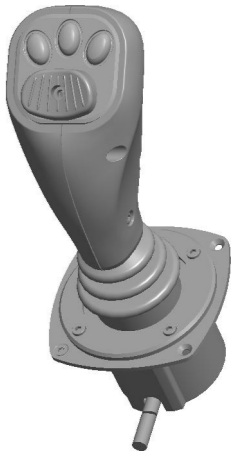


TERMINAL CONFIGURATION

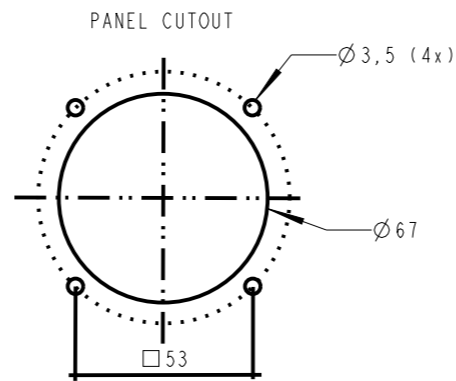
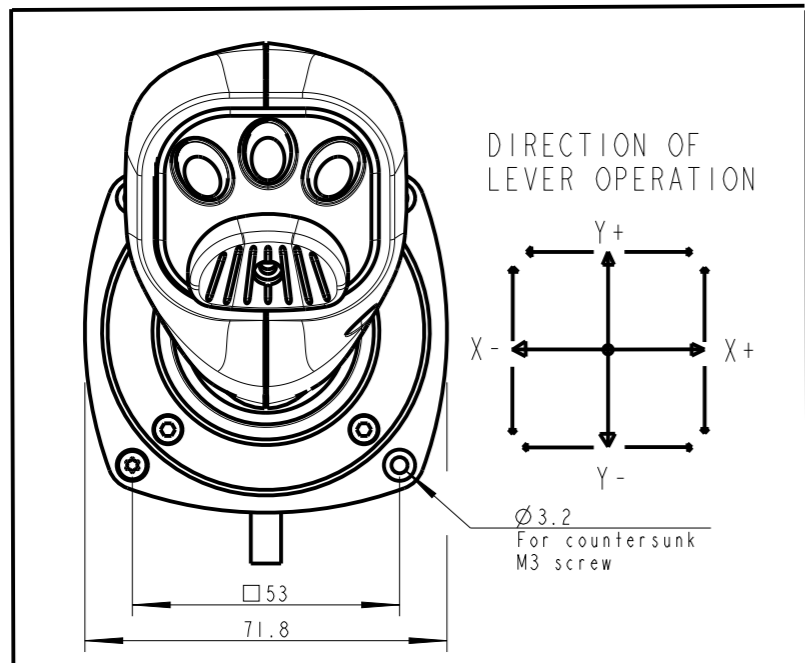
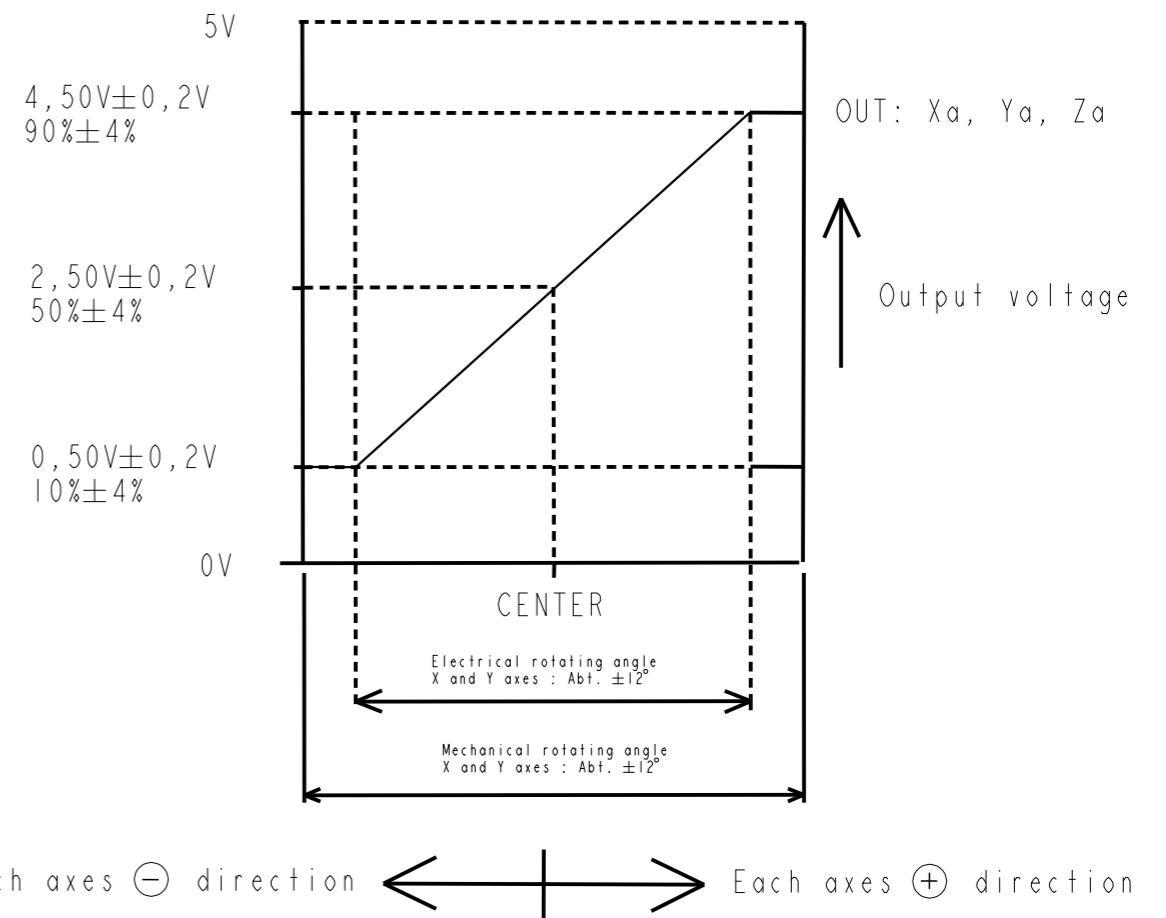
PIN	DESCRIPTION	COLOUR
Pin1:	+5VDC-X,Y,Z	Red
Pin2:	GND-X,Y,Z	Black
Pin3:	Xa	Orange
Pin4:	Ya	Yellow
Pin5:	Za	White
Pin6:	Com PB1-5	Pink/White
Pin7:	PB1	Pink
Pin8:	PB2	Grey
Pin9:	PB3	Brown
Pin10:	PB4	White/Black
Pin11:	PB5	Purple
Pin12:	N/C	N/C

Connector: DTM04-12P



SCALE 1:3

OUTPUT CHARACTERISTICS



This document is our property. It shall not - either in its original or in any modified form - be reproduced to a third party, or used for any purpose other than that for which it is supplied, without a written consent.

		Millimeters unless otherwise noted		Replaces	Next Assy	
		Constr. PHE	Drawn PHE	Checked	Approved	Date 25-Oct-18
Salhydro Oy					Sheet 2/2	A3