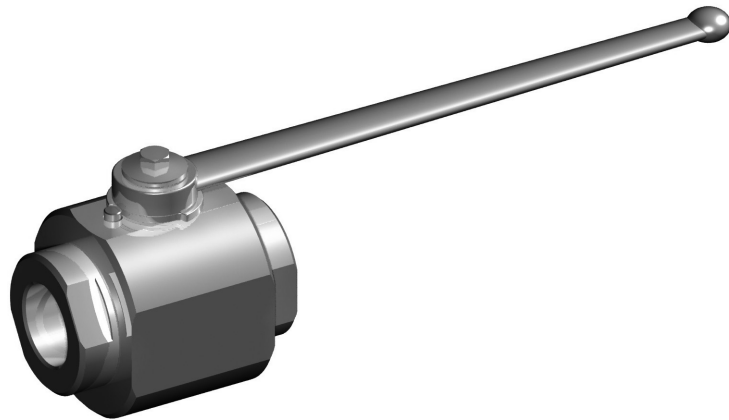


Carbon Steel

GB2 2-WAY HIGH PRESSURE BALL VALVES



GB2 G1" 1/4 DN32 2 2 1 1 A B

Type and way of valve
GB2 2-way high pressure ball valves

Valves dimension of inch

	GAS	ANSI/ASME	SAE	DIN 2353	DIN 2353
DIN/ISO 228	B1.20.1 NPT	J1926-1	HEAVY SERIES	38S	LIGHT SERIES
G1" 1/4	N1" 1/4	SAE20			35L
G1" 1/2	N1" 1/2	SAE24			42L
G2" R	N2" R	SAE32			
G2"	N2"				

Nominal dimension

DN32
DN40
DN50

Body material

2 1,0570

Adapter material

2 1,0570

Stem material

1 1,0737

Ball material

1 1,0737

Ball seat material

A POM
D PEEK
G PA612
K GEMPTFE
C PTFE

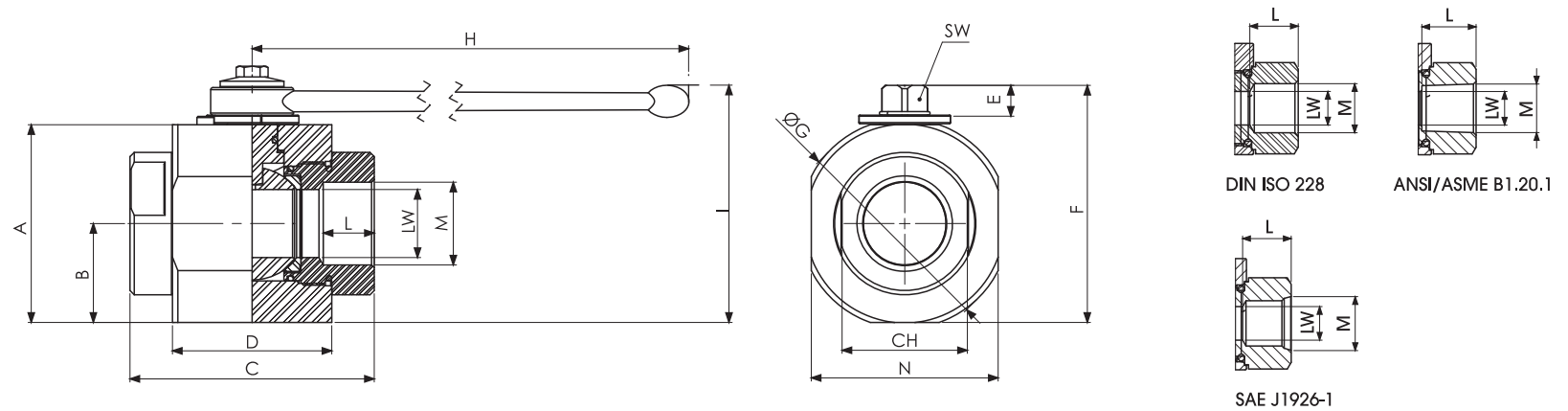
Adapter and stem seal material

B NBR
E FKM
F EPDM
L MVQ

Specifications

- Type: ball valve GB 2way
- Body: round
- Material: 1,0570 / 1,0737
- Ball seats: from DN32 up to DN50
- O-Rings: NBR, FKM, EPDM, MVQ
- Operating pressure: 350 Bar depending on valve size and seal materials selected
- Temp range: -20°C to +100°C depending on seal material selected

"The company reserves the right to operate dimensional changes without prior notice".

**GB2 DIN ISO 228 BSP**

Standard

TYPE	PN	DN	A	B	C	D	E	F	ØG	H	I	L	M	N	CH	SW	LW	WEIGHT Kg	ITEM CODE
GB2 G1 1/4	35 MPa	32	93	46,5	115	75	13,5	111,5	98	300	120,5	24	G 1"1/4	88	60	17	32	6,975	GB2GGT63021A000
GB2 G1 1/2	35 MPa	40	107	53,5	131	85	13,5	125,5	113	300	134,5	25	G 1"1/2	102	75	17	40	7,393	GB2GGT73021A000
GB2 G2R	35 MPa	40	107	53,5	131	85	13,5	125,5	113	300	134,5	25	G 2"	102	75	17	40	6,975	GB2GGR83021A000
GB2 G2	35 MPa	50	114	57	140	98	13,5	132,5	123	300	141,5	27	G 2"	118	85	17	50	9,046	GB2GGT83021A000

GB2 ANSI/ASME B1.20.1 NPT

Standard

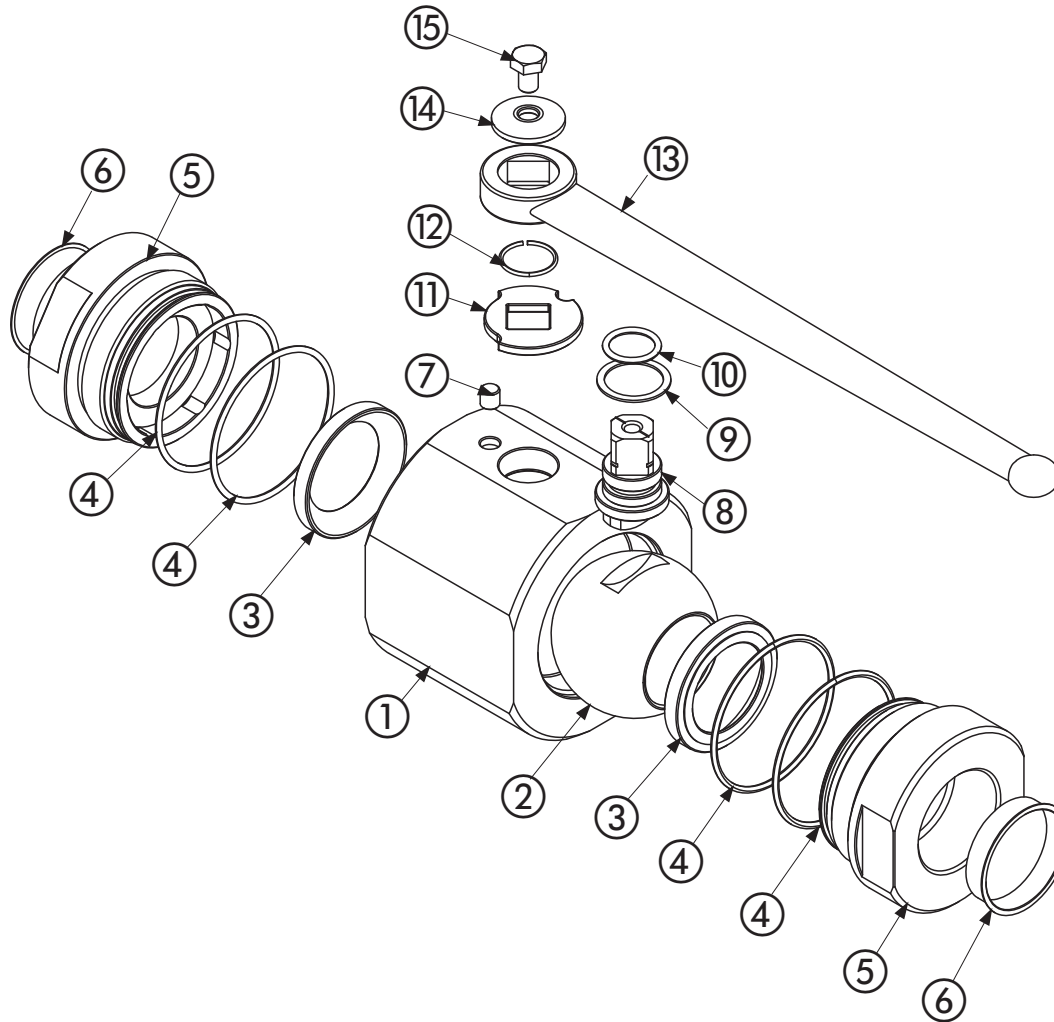
TYPE	PN	DN	A	B	C	D	E	F	ØG	H	I	L	M	N	CH	SW	LW	WEIGHT Kg	ITEM CODE
GB2 N1 1/4	35 MPa	32	93	46,5	115	75	13,5	111,5	98	300	120,5	24	N 1"1/4	88	60	17	32	6,975	GB2NNT63021A000
GB2 N1 1/2	35 MPa	40	107	53,5	131	85	13,5	125,5	113	300	134,5	25	N 1"1/2	102	75	17	40	7,393	GB2NNT73021A000
GB2 N2R	35 MPa	40	107	53,5	131	85	13,5	125,5	113	300	134,5	25	N 2"	102	75	17	40	6,975	GB2NNR83021A000
GB2 N2	35 MPa	50	114	57	140	98	13,5	132,5	123	300	141,5	27	N 2"	118	85	17	50	9,046	GB2NNT83021A000

GB2 SAE J1926-1

Standard

TYPE	PN	DN	A	B	C	D	E	F	ØG	H	I	L	M	N	CH	SW	LW	WEIGHT Kg	ITEM CODE
GB2 SAE20	35 MPa	32	93	46,5	115	75	13,5	111,5	98	300	120,5	24	1"5/8 UN	88	60	17	32	6,975	GB2EEE53021A000
GB2 SAE24	35 MPa	40	107	53,5	131	85	13,5	125,5	113	300	134,5	25	1"7/8 UN	102	75	17	40	7,393	GB2EEE63021A000
GB2 SAE32	35 MPa	50	114	57	140	98	13,5	132,5	123	300	141,5	27	2"1/2 UN	118	85	17	50	9,046	GB2EEE73021A000

"The company reserves the right to operate dimensional changes without prior notice".

GB2 2-WAY HIGH PRESSURE BALL VALVES

Pos	Description	Material	Q.tà
1	Body	1,0570	1
2	Ball	1,0737	1
3	Ball seat	POM	2
4	Adapter o-ring	NBR	4
5	Adapter	1,0570	2
6	Caps	PVC	2
7	Spine	1,0737	1
8	Stem	1,0737	1
9	Stem ring	POM	1
10	Stem o-ring	NBR	1
11	Washer	1,0116	1
12	Seeger	1,4301	1
13	Handle	1,0116	1
14	Washer	1,0737	1
15	Screw	ISO4017 8.8	1

On request

- Reduced bore
 - O-Ring in EPDM, FFKM, MQV
 - Seals in PEEK, PA 612, RPTFE, GEMPTFE
 - Special Threads
 - Stem in stainless steel 1,4404
 - Ball in stainless steel 1,4404
 - Pressure Class PN 100 to PN 350
 - Pneumatic and electrical actuator
 - Security block
 - Locking device
- For further special requests please consult our technical/commercial service

"The company reserves the right to operate dimensional changes without prior notice".