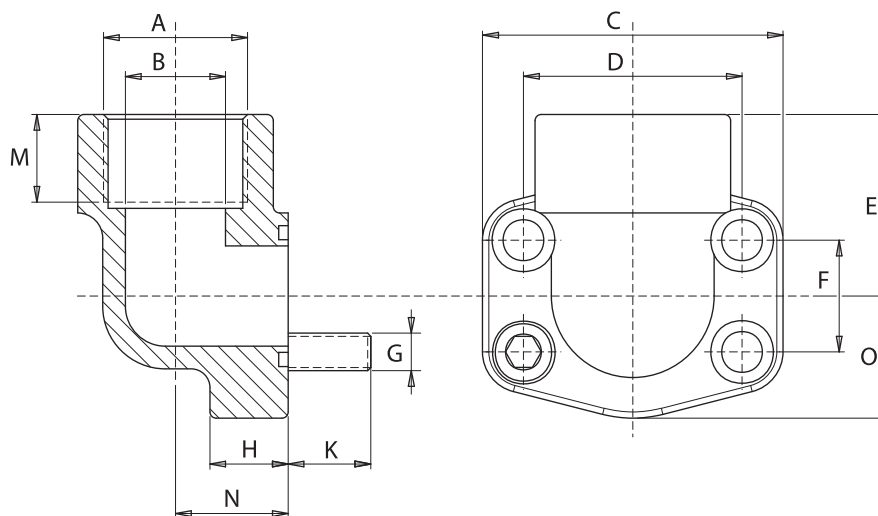


Flange SAE filettate GAS 90° 90° BSP threaded SAE flanges



Materiale: Acciaio

Material: Steel



3000 psi

PRESS. MAX bar	TIPO TYPE	A SAE	B	M	C	D	E	O	F	H	N	K	G		O-Rings
													Viti/Screws Metr.	UNC	
345	F90280G012	1/2"	13	20	58	38,10	37	23	17,48	17	18	13	M8	5/16"	4075
345	F90300G034	3/4"	19	20	69	47,63	39	25	22,23	18	22	15	M10	3/8"	4100
345	F90302G100	1"	25	20	75	52,37	42	27	26,19	19	28	15	M10	3/8"	4131
275	F90304G114	1 1/4"	31	23	82	58,72	50	34	30,18	22	30	17	M10	7/16"	4150
200	F90306G112	1 1/2"	38	25	96	69,85	59	39	35,71	25	36	18	M12	1/2"	4187
200	F90308G200	2"	50	27	106	77,77	66	44	42,88	25	41	18	M12	1/2"	4225
170	F90310G212	2 1/2"	60	31	116	88,90	78	50	50,80	25	50	18	M12	1/2"	4275

6000 psi

PRESS. MAX bar	TIPO TYPE	A SAE	B	M	C	D	E	O	F	H	N	K	G		O-Rings
													Viti/Screws Metr.	UNC	
420	F90580G012	1/2"	13	20	58	40,49	37	23	18,24	17	18	13	M8	5/16"	4075
420	F90600G034	3/4"	19	23	73	50,80	42	28	23,80	20	28	15	M10	3/8"	4100
420	F90602G100	1"	25	25	83	57,15	50	34	27,76	24	30	19	M12	7/16"	4131
420	F90604G114	1 1/4"	31	27	96	66,68	59	40	31,75	25	36	21	M14	1/2"	4150
420	F90606G112	1 1/2"	38	29	110	79,38	66	45	36,50	26	41	25	M16	5/8"	4187
420	F90608G200	2"	50	35	135	96,82	76	59	44,45	35	45	32	M20	3/4"	4225

Esempio codice di ordinazione - Ordering example

Flangia
Flange

F90 308 G200 -

Su richiesta: - On request:

M Viti metriche, rondelle, O-Rings
Metrical screws, washers, O-Rings

U Viti UNC, rondelle, O-Rings
UNC screws, washers, O-Rings
(brunite - burnished)