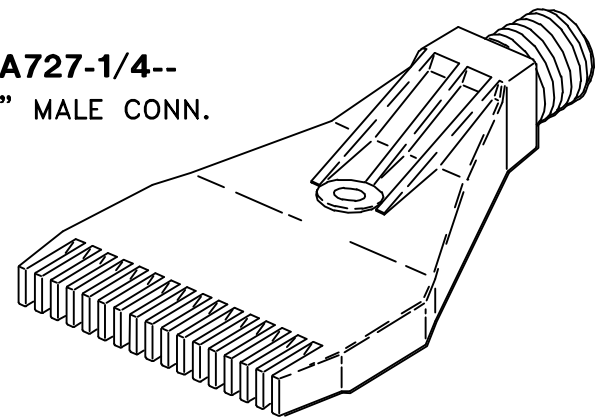
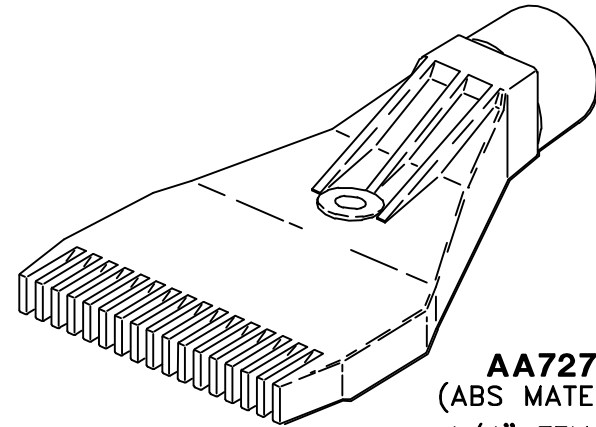


# 727 AND 727-RY *WindJet*® AIR CONTROL NOZZLES

**AA727-1/4--**  
1/4" MALE CONN.

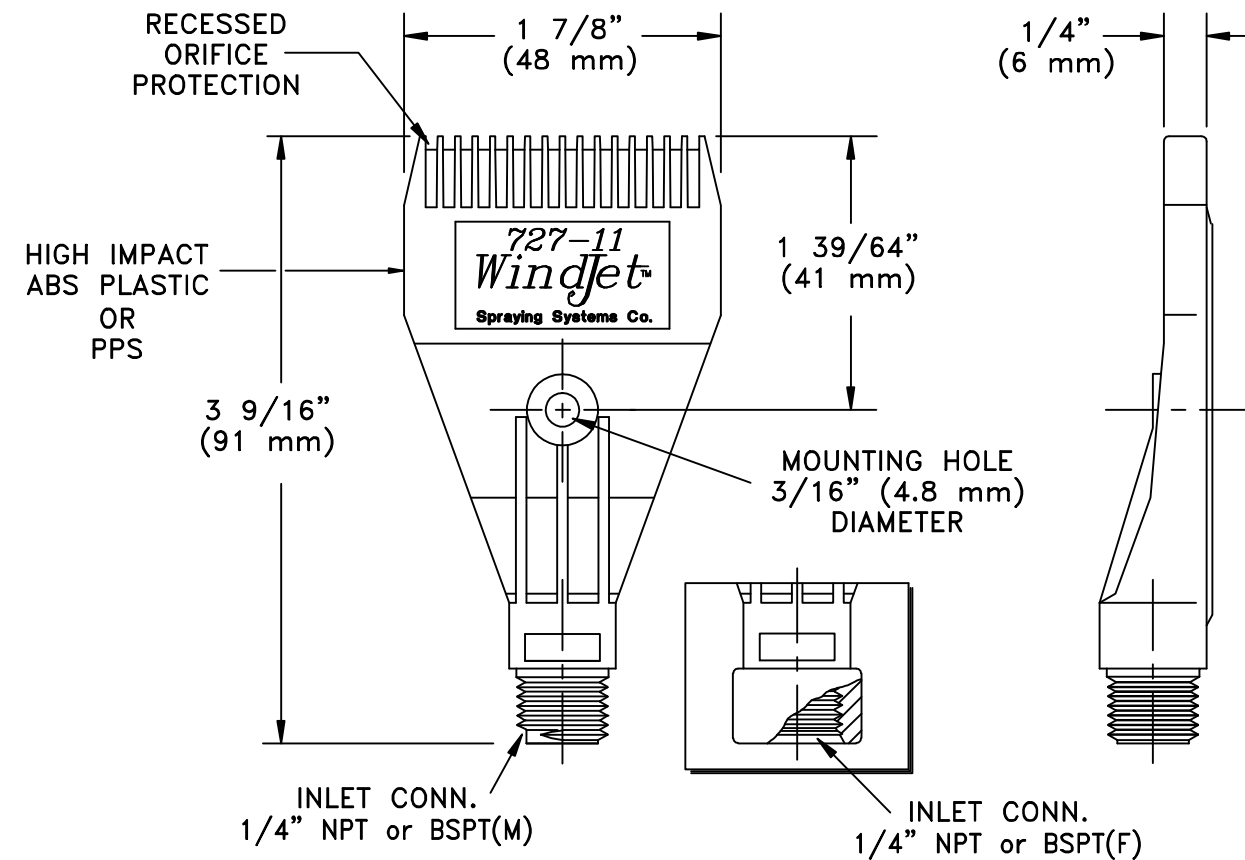


**AA727-1/4F--**  
(ABS MATERIAL ONLY)  
1/4" FEMALE CONN.



**TYPICAL APPLICATIONS:**

- PARTS CLEANING
- AIR CURTAINS
- MOVING OF MATERIALS
- COOLING
- DRYING



**FEATURES:**

- MATERIALS INCLUDE DURABLE, LIGHTWEIGHT ABS OR CHEMICALLY RESISTANT PPS (POLYPHENYLENE SULFIDE).
- ORIFICES PROTECTED AGAINST EXTERNAL DAMAGE. RECESSED DESIGN ALSO PROVIDES AIR ESCAPE SHOULD THE NOZZLE BE ACCIDENTALLY PLACED AGAINST A SURFACE. DEADEND PRESSURE IS LESS THAN 30 PSIG (2 bar), AN OSHA REQUIREMENT FOR SAFE OPERATION.
- LOW NOISE LEVEL. CONSIDERABLY LESS THAN OSHA STANDARD 1910.95.
- UNIFORM DISTRIBUTION ACROSS IMPACT OR BLOW-OFF AREA, FOR IMPROVED CONTROL.
- EFFICIENT USE OF AIR FOR HIGH IMPACT.
- MOUNTING HOLE PROVIDED FOR POSITIVE POSITIONING IN FIXED APPLICATIONS.
- CAN BE MOUNTED SIDE-BY-SIDE FOR AIR CURTAIN APPLICATIONS.

NOZZLE No.	CAPACITY - SCFM AT VARIOUS AIR PRESSURES - PSI					CAPACITY - NI/min AT VARIOUS AIR PRESSURES - bar				
	10 PSI	30 PSI	40 PSI	60 PSI	90 PSI	0.7 bar	2 bar	3 bar	4 bar	6 bar
AA727--11	5.0	8.9	10.8	14.4	19.8	142	246	323	396	549
AA727--15	6.8	12.8	15.7	21.3	29.6	193	357	470	586	816
AA727--23	9.9	18.4	22.5	30.9	43.4	280	510	680	852	1198

NOZZLE No.	INLET CONN.				MATERIAL	MAXIMUM OPERATING PRESSURES	WEIGHT
	1/4" NPT M	1/4" BSPT F	1/4" BSPT M	1/4" BSPT F			
AA727-1/4--11	●	●			ABS (YELLOW)	100 PSIG (7 bar) UP TO 170°F (77°C) 85 PSIG (6 bar) AT 180°F (82°C)	0.7 oz. (20 g)
AAB727-1/4--11			●	●			
AA727-1/4--15	●	●					
AAB727-1/4--15			●	●			
AA727-1/4--23	●	●					
AAB727-1/4--23			●	●			
AA727-1/4-RY-11	●				PPS (BLACK)	100 PSIG (7 bar) UP TO 180°F (82°C) 70 PSIG (4.8 bar) AT 200°F (93°C) 50 PSIG (3.4 bar) AT 250°F (121°C) 40 PSIG (3 bar) AT 300°F (149°C)	1 oz. (28 g)
AAB727-1/4-RY-11			●				
AA727-1/4-RY-15	●						
AAB727-1/4-RY-15			●				
AA727-1/4-RY-23	●						
AAB727-1/4-RY-23			●				

**ORDERING INFORMATION:** SPECIFY NOZZLE No. (FROM TABULATION ABOVE)

**EXAMPLES:** AA727-1/4-11 (FOR ABS, NPT-M CONN.)  
AA727-1/4F-11 (FOR ABS WITH NPT-F CONN.)  
AA727-1/4-RY-11 (FOR PPS WITH NPT-M CONN.)

**DESCRIPTION:**  
No. AA727-- & AA727--RY  
WINDJET® AIR CONTROL NOZZLES



**Spraying Systems Co.®**

Spray Nozzles and Accessories  
P.O. Box 7900 - Wheaton, IL 60189-7900

Rev. No. 3

Data Sheet No.

Ref.

727

SHEET OF