

## Original Element Data Sheet

### Element Type

Description EPF3-2-10QI-B

Parker Part No. 944440Q

### Dimensional References

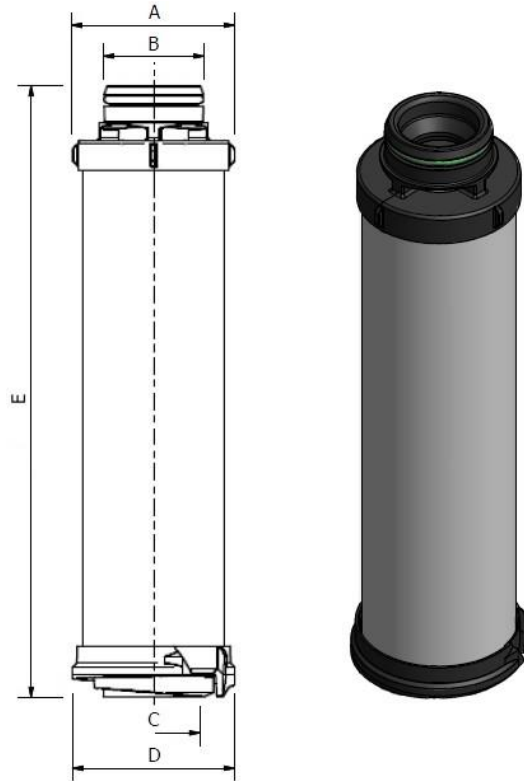
A (mm) 75

B (mm) 41,7

C (mm) 47,9

D (mm) 74,2

E (mm) 242,2



### Construction Materials

Seal(s) NBR: Perbunan/Nitrile

Top Endcap Glass reinforced nylon

Bottom Endcap Glass reinforced nylon

Filter Media Multilayer fibreglass with coated mesh on both sides

### Performance Criteria

#### Differential Pressure acc. to ISO3968

Clean element dP @ 30cSt, 270 L/min  $\approx$  0,83 bar

#### Efficiency acc. to ISO16889, for

$\beta_{x(c)} \geq 200$ ; x = 10 /  $\beta_{x(c)} \geq 1000$ ; x = 12

#### Minimum Collapse Pressure acc. to ISO2941

>25 bar (mounted on core in bowl)

#### Dirt Holding Capacity acc. to ISO16889

@ 5 bar terminal pressure drop  $\approx$  33,7 grams