

Original Element Data Sheet

Element Type

Description GMF3-2-10QI-V

Parker Part No. 938909Q

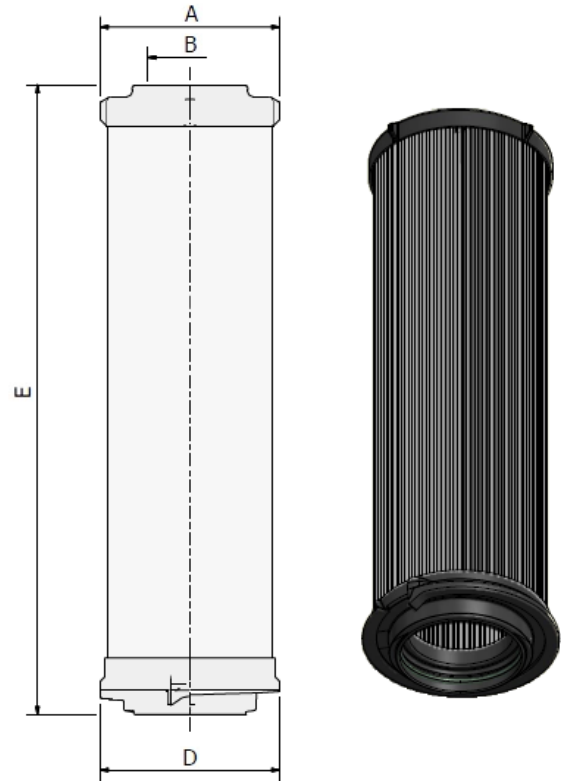
Dimensional References

A (mm) 87

B (mm) 43

D (mm) 86

E (mm) 202



Construction Materials

Seal(s) FPM: Fluoroelastomer

Top Endcap Glass reinforced nylon

Bottom Endcap Glass reinforced nylon

Filter Media Multilayer fibreglass with coated mesh on both sides

Performance Criteria

Differential Pressure acc. to ISO3968

Clean element dP @ 30cSt, 230 L/min ≈ 0,5 bar

Efficiency acc. to ISO16889, for

$\beta_{x(c)} \geq 200$; x = 10 / $\beta_{x(c)} \geq 1000$; x = 12

Minimum Collapse Pressure acc. to ISO2941

>20 bar (mounted on core in bowl)

Dirt Holding Capacity acc. to ISO16889

@ 5 bar terminal pressure drop ≈ 42,3 grams